

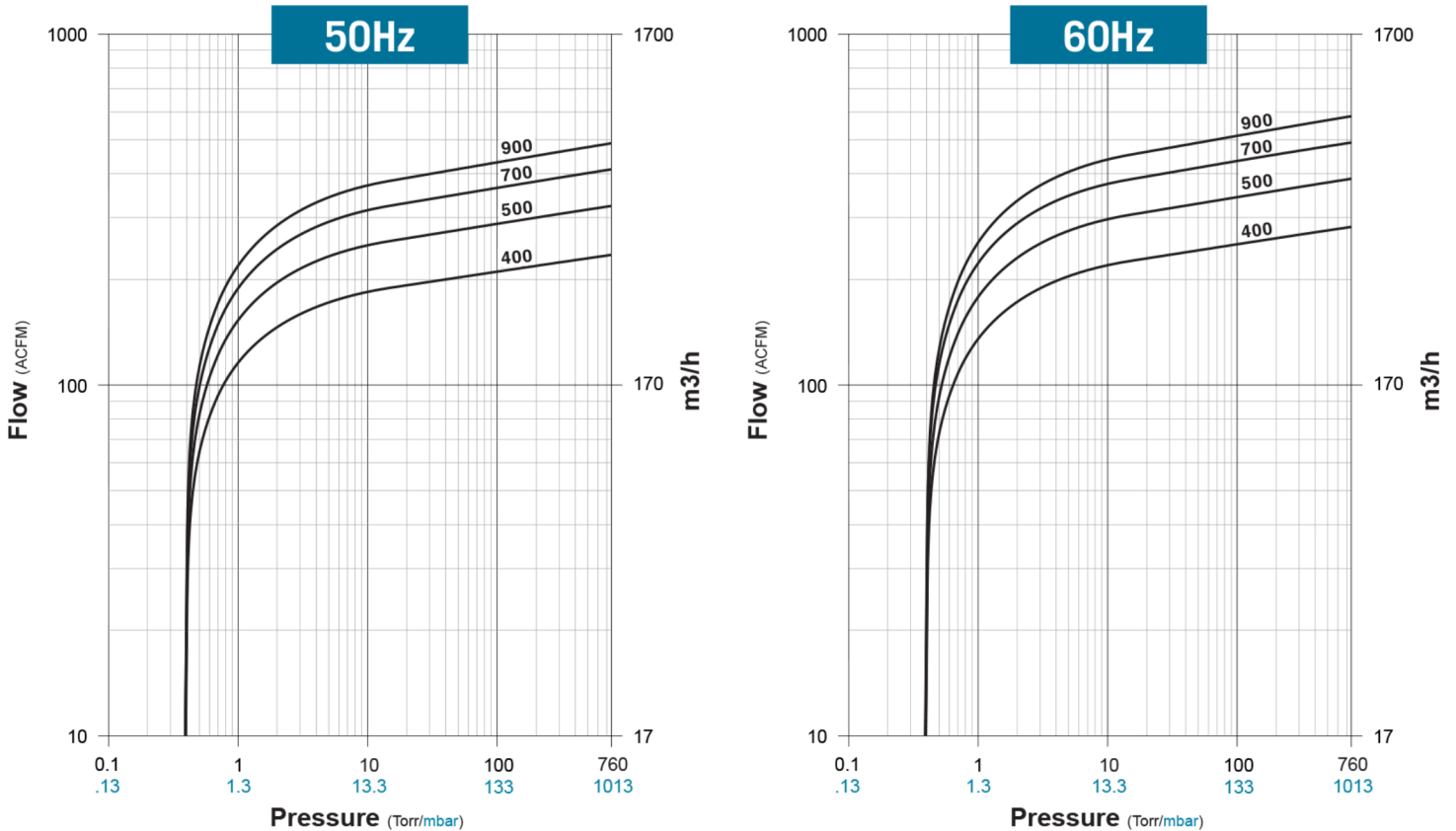


Kinney KVO 400, 500, 700, 900

Technical Specifications

Model	Nominal Displacement	Ultimate Pressure <i>Without Gas Ballast</i>	Ultimate Pressure <i>With Gas Ballast</i>	Motor	Rotation Speed	Oil Capacity	Pump Weight <i>Includes Motor</i>	Noise Level Max
	CFM / m3/hr	Torr / mbar	Torr / mbar	60Hz HP / 50Hz kW	60Hz / 50Hz	Gal. / Liters	Lbs. / kg	dB(A)
KVO-400	50Hz 235 / 400 60Hz 283 / 480	0.075 / 0.1	0.375 / 0.5	15 / 11	1140 / 950	3 / 11.5	1250 / 567	75
KVO-500	50Hz 324 / 550 60Hz 388 / 660	0.075 / 0.1	0.375 / 0.5	20 / 15	1140 / 950	4.4 / 17	1422 / 645	77
KVO-700	50Hz 412 / 700 60Hz 494 / 840	0.075 / 0.1	0.375 / 0.5	25 / 18.5	1140 / 950	4.4 / 17	1512 / 685	80
KVO-900	50Hz 489 / 830 60Hz 586 / 995	0.075 / 0.1	0.375 / 0.5	30 / 22.3	1140 / 950	5 / 19	1723 / 782	81

Pumping Curves



NOTE: Curves represented with gas ballast open.



PROVAC

SALES

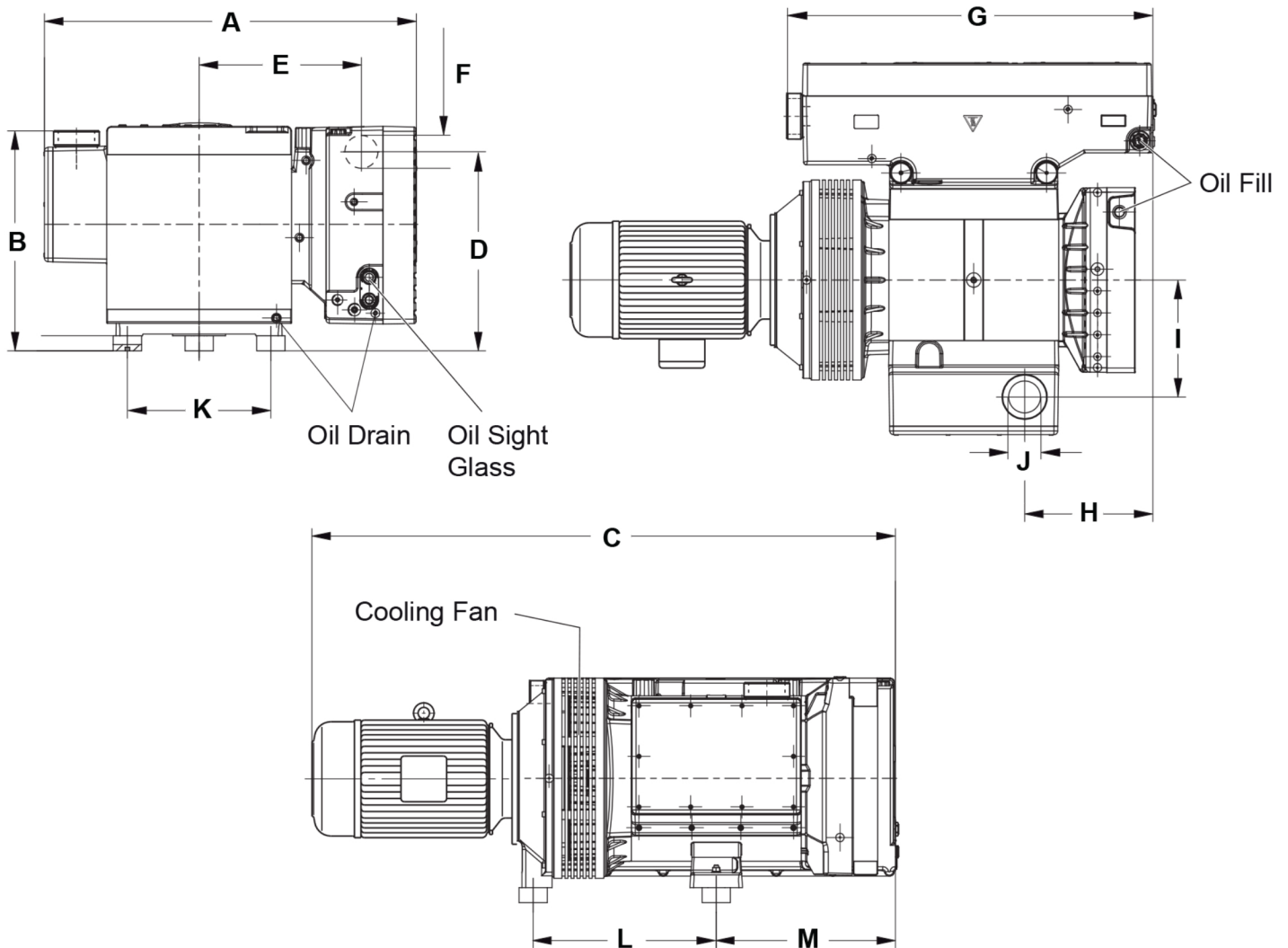
PHONE: 831-462-8900

FAX: 831-462-3536

WWW.PROVAC.COM

Kinney KVO 400, 500, 700, 900

Dimensions



Model	A	B	C	D	E	F - EXHAUST	G	H	I	J - INLET	K	L	M
KVO-400 in. / mm	36.73 933	23.27 591	58.73 1492	20.28 515	14.65 372	3" FNPT	34.25 870	14.61 371	12.2 310	3" FNPT	14.96 380	16.34 415	17.27 439
KVO-500 in. / mm	38.9 988	23.3 591	64.3 1633	20.3 515	16.42 417	3" FNPT	37.89 962	14.76 375	12.2 310	3" FNPT	19.96 380	19.01 485	20.1 510
KVO-700 in. / mm	38.9 988	27.01 686	67.05 1703	24.02 610	16.42 417	3" FNPT	39.82 1012	14.76 375	12.2 310	3" FNPT	14.68 500	19.73 501	20.1 510
KVO-900 in. / mm	42.8 1087	29.09 739	65.87 1673	27.52 699	16.54 420	3" FNPT	39.43 1001	19.53 493	14.76 375	4" FNPT	14.68 500	16.54 420	22.09 562



PROVAC

SALES

PHONE: 831-462-8900

FAX: 831-462-3536

WWW.PROVAC.COM

Kinney KVO 400, 500, 700, 900 Features & Benefits

- durable, heavy-duty construction
- easy to service user-friendly layout, speeding up oil & filter changes
- advanced cylinder & cover design for quiet operation
- flanged motor, bearings on both sides of rotor
- fine mesh filter, vacuum non-return valve, gas ballast valve, oil/air heat exchanger, oil separator
- low power consumption for optimal performance
- continuous duty operation
- compact design, small footprint

Applications

- food & beverage • food processing • food packaging • medical
- pharmaceutical • research & development • plastics • freeze drying
- vacuum packaging • filling & sealing • central vacuum systems
- thermoforming • injection molding

