



# PROVAC

## SALES

PHONE: 831-462-8900

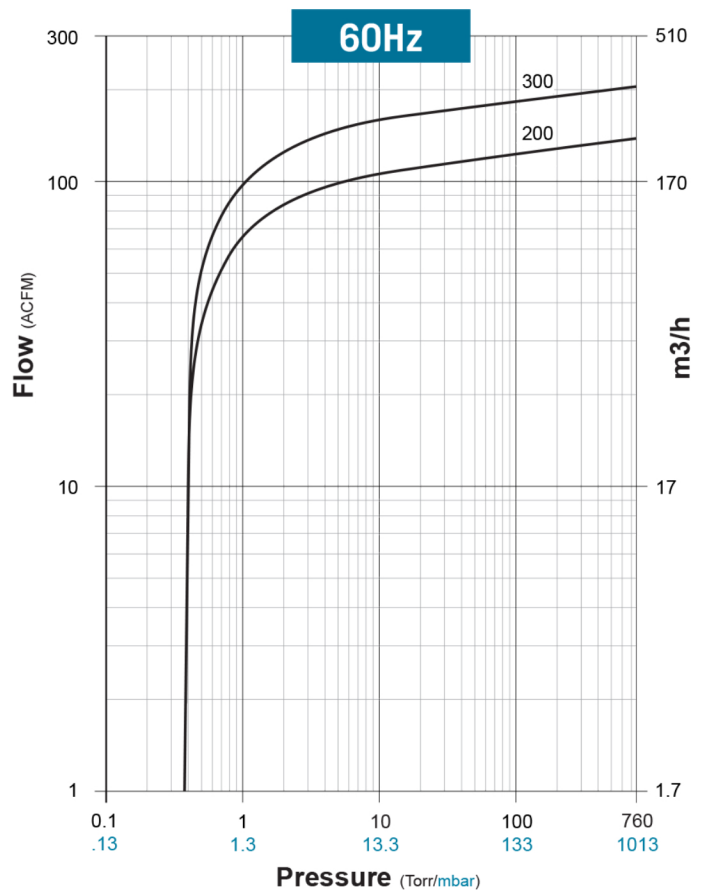
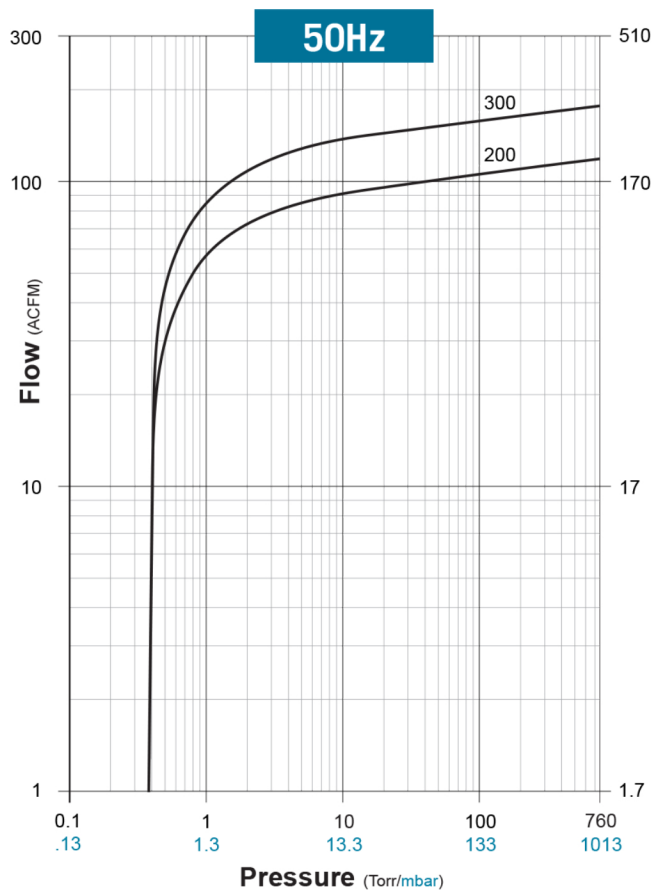
FAX: 831-462-3536

WWW.PROVAC.COM

# Kinney KVO 200, 300 Technical Specifications

Model	Nominal Displacement	Ultimate Pressure <i>Without Gas Ballast</i>	Ultimate Pressure <i>With Gas Ballast</i>	Motor	Rotation Speed	Oil Capacity	Pump Weight <i>Includes Motor</i>	Noise Level Max
	CFM / m3/hr	Torr / mbar	Torr / mbar	60Hz HP / 50Hz kW	60Hz / 50Hz	Gal. / Liters	Lbs. / kg	dB(A)
KVO-200	50Hz 18 / 200 60Hz 141 / 240	0.075 / 0.1	0.375 / 0.5	7.5 / 6	1770 / 1470	1.5 / 5.7	347 / 157	71
KVO-300	50Hz 177 / 300 60Hz 212 / 360	0.075 / 0.1	0.375 / 0.5	10 / 7.5	1770 / 1470	1.5 / 6.2	385 / 174	72

## Pumping Curves



NOTE: Curves represented with gas ballast open.



# PROVAC

## SALES

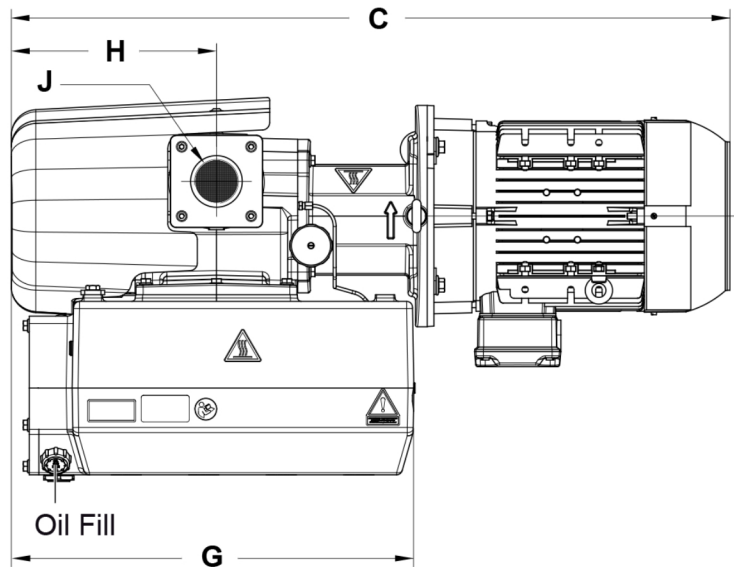
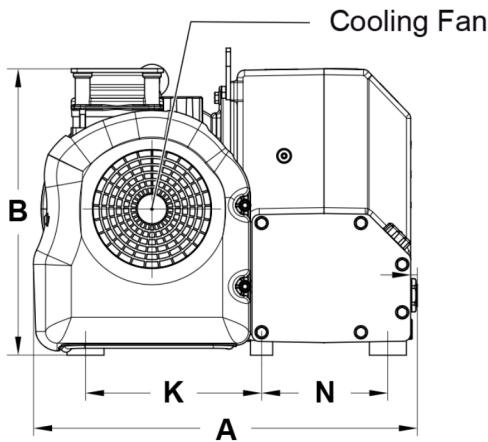
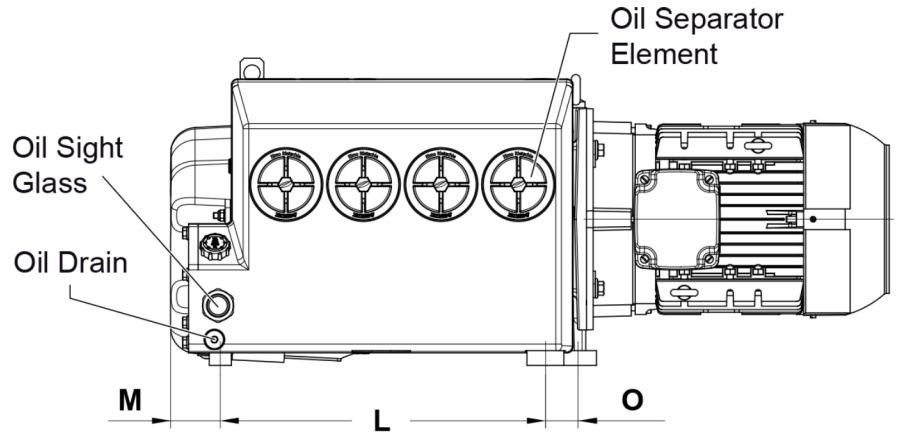
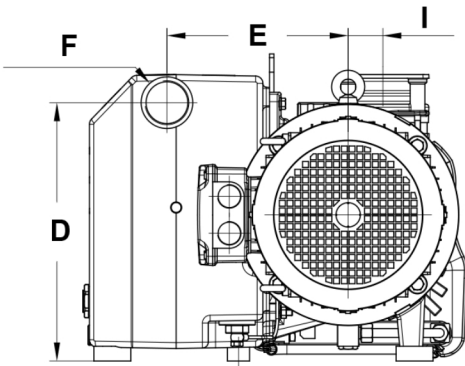
PHONE: 831-462-8900

FAX: 831-462-3536

WWW.PROVAC.COM

# Kinney KVO 200, 300

## Dimensions



Model	A	B	C	D	E	F - EXHAUST	G	H	I	J - INLET	K	L	M	N	O
KVO-200 in. / mm	20.47 520	15.28 388	38.71 983	13.78 350	9.69 246	2" FBSP	21.37 543	10.94 278	1.85 47	2" FNPT	9.37 238	17.36 441	2.64 67	6.73 171	1.73 44
KVO-300 in. / mm	20.47 520	15.28 388	40.41 1026	13.78 350	9.69 246	2" FBSP	21.37 543	10.94 278	1.85 47	2" FNPT	9.37 238	17.36 441	2.64 67	6.73 171	1.73 44



# PROVAC

## SALES

PHONE: 831-462-8900

FAX: 831-462-3536

WWW.PROVAC.COM

## Kinney KVO 200, 300

### Features & Benefits

- durable, heavy-duty construction
- easy to service user-friendly layout, speeding up oil & filter changes
- advanced cylinder & cover design for quiet operation
- flanged motor, bearings on both sides of rotor
- fine mesh filter, vacuum non-return valve, gas ballast valve, oil/air heat exchanger, oil separator
- low power consumption for optimal performance
- continuous duty operation
- compact design, small footprint

### Applications

- food & beverage • food processing • food packaging • medical
- pharmaceutical • research & development • plastics • freeze drying
- vacuum packaging • filling & sealing • central vacuum systems
- thermoforming • injection molding

