

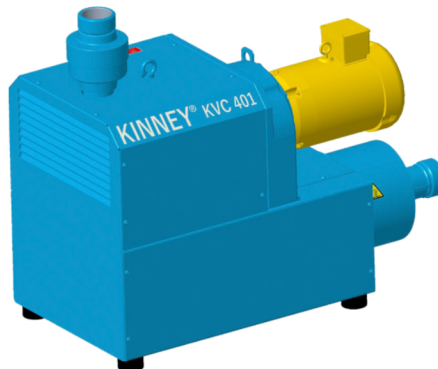
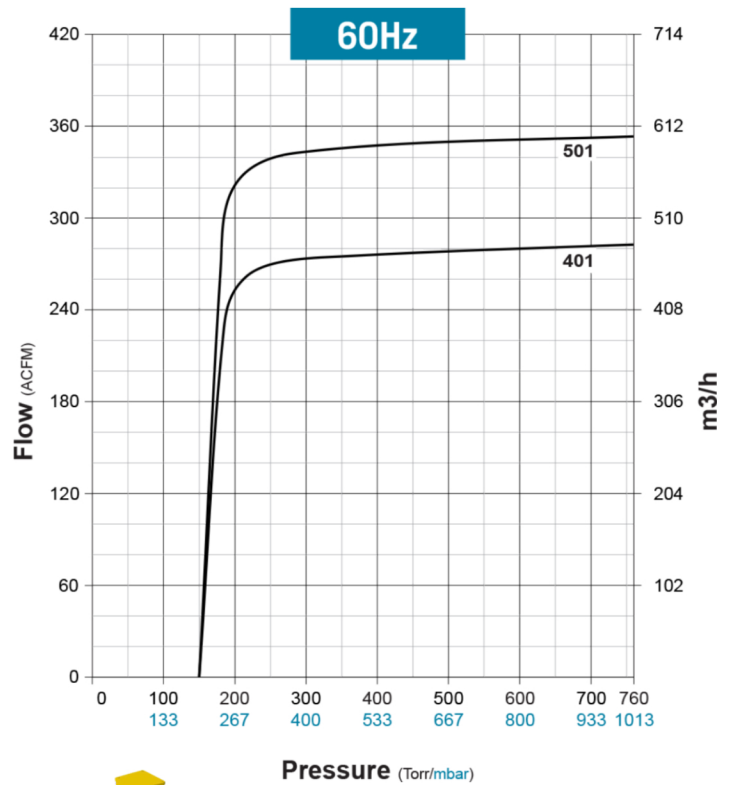
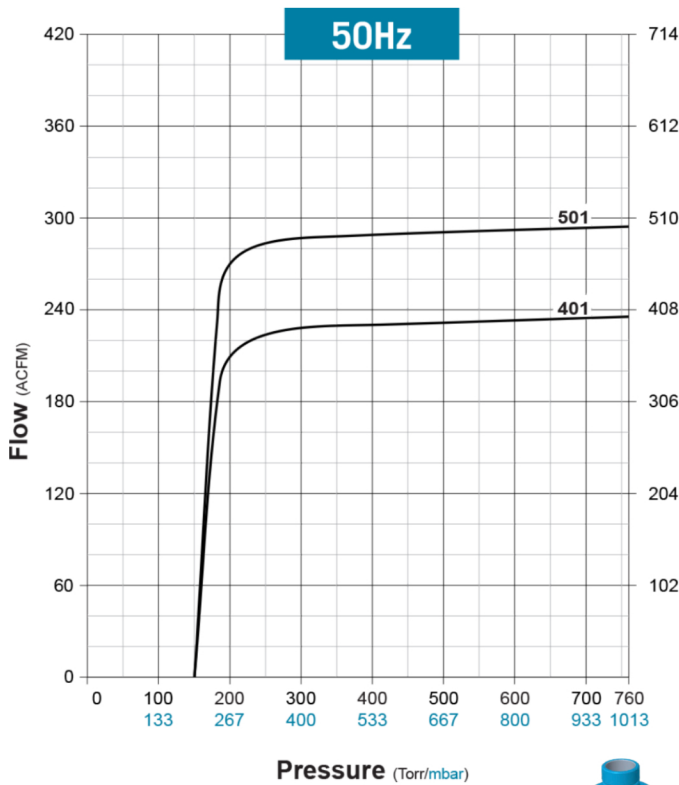


Kinney KVC 401, 501

Technical Specifications

Model	Nominal Displacement	Ultimate Pressure	Motor	Rotation Speed	Oil Capacity	Pump Weight <i>Includes Motor</i>	Noise Level Max
	CFM / m3/hr	Torr / mbar	60Hz HP / 50Hz kW	60Hz / 50Hz	Gal. / Liters	Lbs. / kg	dB(A)
KVC-401	50Hz 240 / 408 60Hz 285 / 485	150 / 200	12 / 7.5	3550 / 2950	.5 / 1.8	930 / 442	81
KVC-501	50Hz 295 / 501 60Hz 355 / 603	150 / 200	15 / 11	3550 / 2950	.5 / 1.8	1118 / 512	81

Pumping Curves





PROVAC

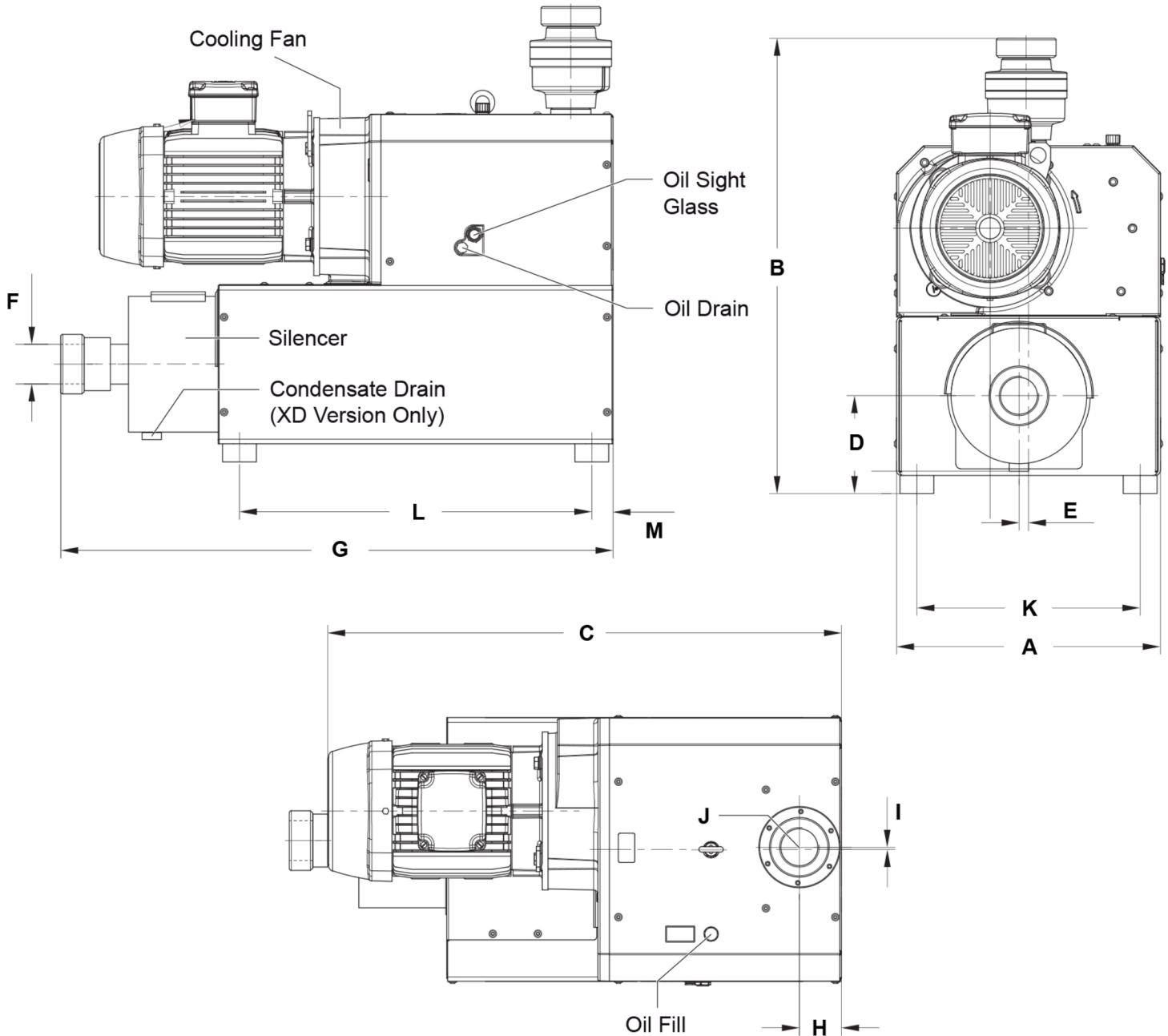
SALES

PHONE: 831-462-8900

FAX: 831-462-3536

WWW.PROVAC.COM

Kinney KVC 401, 501 Dimensions



Model	A	B	C	D	E	F - EXHAUST	G	H	I	J - INLET	K	L	M
KVC-401 in. / mm	23.54 598	36.76 1010	41.64 1058	8.5 216	.83 22	3" FNPT	50.04 1271	3.7 94	.2 5	3" NPT	19.45 494	30.71 780	1.89 48
KVC-501 in. / mm	23.54 598	39.84 1012	44.95 1167	8.5 217	.83 22	3" FNPT	48.98 1245	3.7 95	.2 6	3" NPT	19.45 495	30.71 781	1.85 48



PROVAC

SALES

PHONE: 831-462-8900

FAX: 831-462-3536

WWW.PROVAC.COM

Kinney KVC 401, 501 Features & Benefits

- oil free compression, contamination free
- optimal CFM per HP
- air cooled motor
- lifting eyebolt for easy transport & placement
- viton shaft seal & 2 labyrinth piston O-rings with atmospheric venting
- small footprint & compact design
- contactless operation ensures minimal wear of parts
- low maintenance & low cost of ownership
- integrated internal discharge silencer offers lowest sound levels
- fully synchronized gears to ensure maximum efficiency in rotor movement

Applications

- woodworking • medical • food & beverage • automotive • plastics
- pick & place • CNC router tables • industrial vacuum • central vacuum systems • thermoforming • food packaging • degassing

