

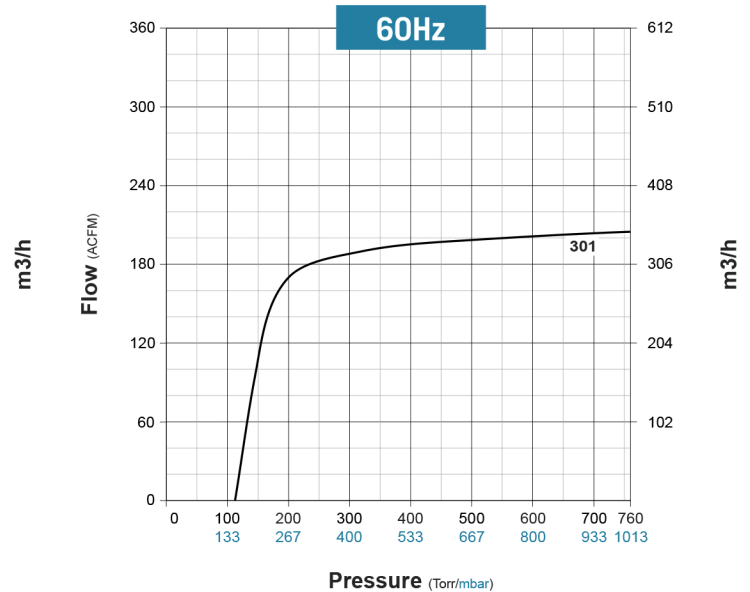
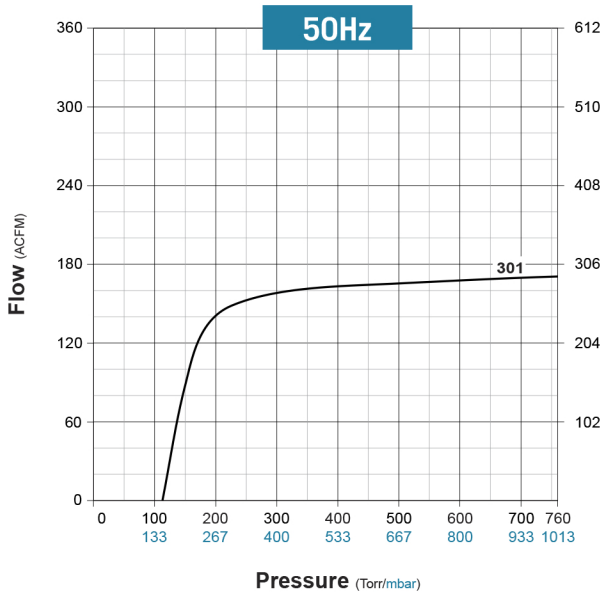


Kinney KVC 301

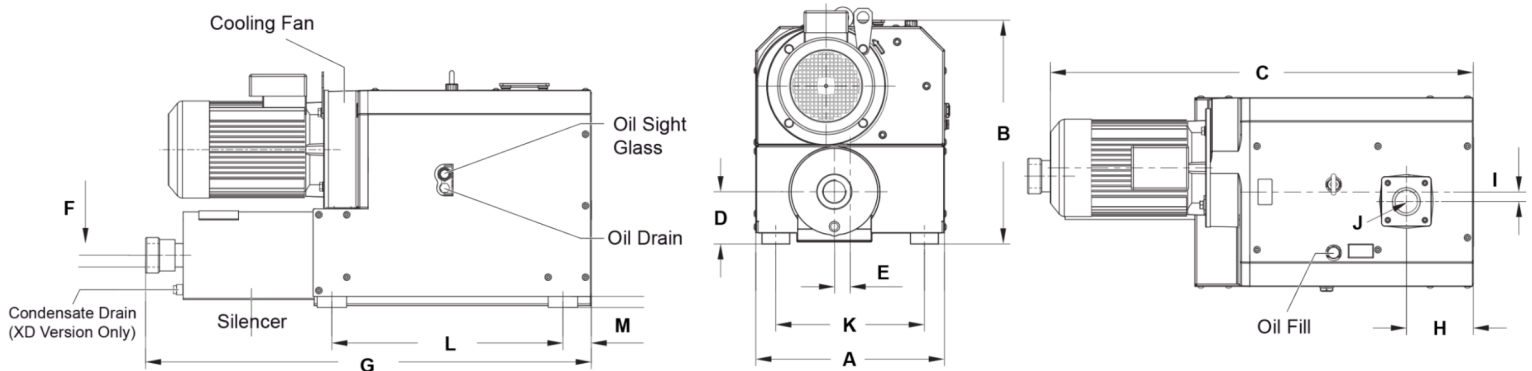
Technical Specifications

| Model | Nominal Displacement | Ultimate Pressure | Motor | Rotation Speed | Oil Capacity | Pump Weight <i>Includes Motor</i> | Noise Level Max |
|---------|----------------------------------|-------------------|-------------------|----------------|---------------|--------------------------------------|-----------------|
| | CFM / m3/hr | Torr / mbar | 60Hz HP / 50Hz kW | 60Hz / 50Hz | Gal. / Liters | Lbs. / kg | dB(A) |
| KVC-301 | 50Hz 170 / 290 60Hz 205 / 350 | 113 / 150 | 7.5 / 5.5 | 3550 / 2950 | .4 / 1.5 | 612 / 278 | 77 |

Pumping Curves



Dimensions



| Model | A | B | C | D | E | F - EXHAUST | G | H | I | J - INLET | K | L | M |
|----------|-------|-------|-------|-----|------|-------------|------|------|-----|-----------|-------|-------|------|
| KVC-301 | 19.49 | 22.32 | 43.04 | 5.2 | 1.57 | 2" FNPT | 46.1 | 6.65 | .94 | 2" FNPT | 14.72 | 23.03 | 2.83 |
| in. / mm | 495 | 567 | 1093 | 132 | 40 | | 1171 | 169 | 24 | | 374 | 585 | 72 |



PROVAC

SALES

PHONE: 831-462-8900

FAX: 831-462-3536

WWW.PROVAC.COM

Kinney KVC 301 Features & Benefits

- oil free compression, contamination free
- optimal CFM per HP
- air cooled motor
- lifting eyebolt for easy transport & placement
- viton shaft seal & 2 labyrinth piston O-rings with atmospheric venting
- small footprint & compact design
- contactless operation ensures minimal wear of parts
- low maintenance & low cost of ownership
- integrated internal discharge silencer offers lowest sound levels
- fully synchronized gears to ensure maximum efficiency in rotor movement

Applications

- woodworking • medical • food & beverage • automotive • plastics
- pick & place • CNC router tables • industrial vacuum • central vacuum systems • thermoforming • food packaging • degassing

