



PROVAC

SALES

PHONE: 831-462-8900

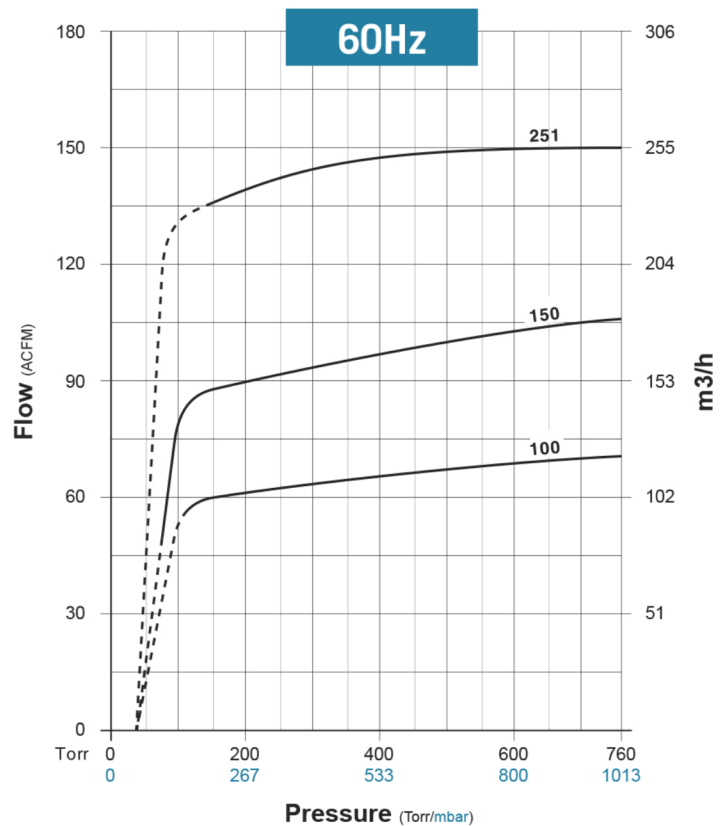
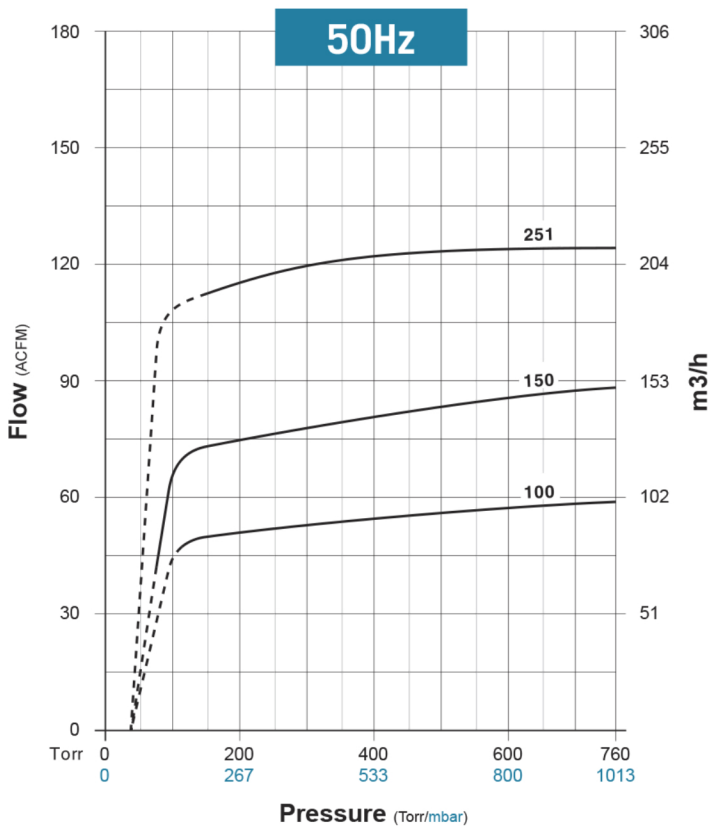
FAX: 831-462-3536

WWW.PROVAC.COM

Kinney KVC 100, 150, 251 Technical Specifications

Model	Nominal Displacement	Ultimate Pressure	Motor	Rotation Speed	Oil Capacity	Pump Weight <i>Includes Motor</i>	Noise Level Max
	CFM / m3/hr	Torr / mbar	60Hz HP / 50Hz kW	60Hz / 50Hz	Gal. / Liters	Lbs. / kg	dB(A)
KVC-100	50Hz 58.9 / 100 60Hz 70.6 / 120	113 / 150	3 / 2.2	3450 / 2850	.15 / .55	254 / 115	82
KVC-150	50Hz 88.3 / 150 60Hz 106 / 180	75 / 100	5 / 3.0	3450 / 2850	.16 / .6	309 / 140	82
KVC-251	50Hz 88.3 / 210 60Hz 150 / 255	150 / 200	7.5 / 4.0	3450 / 2850	.16 / .6	327 / 164	78

Pumping Curves



Note: Do not operate the pump in the vacuum level shown by the dotted line.



PROVAC

SALES

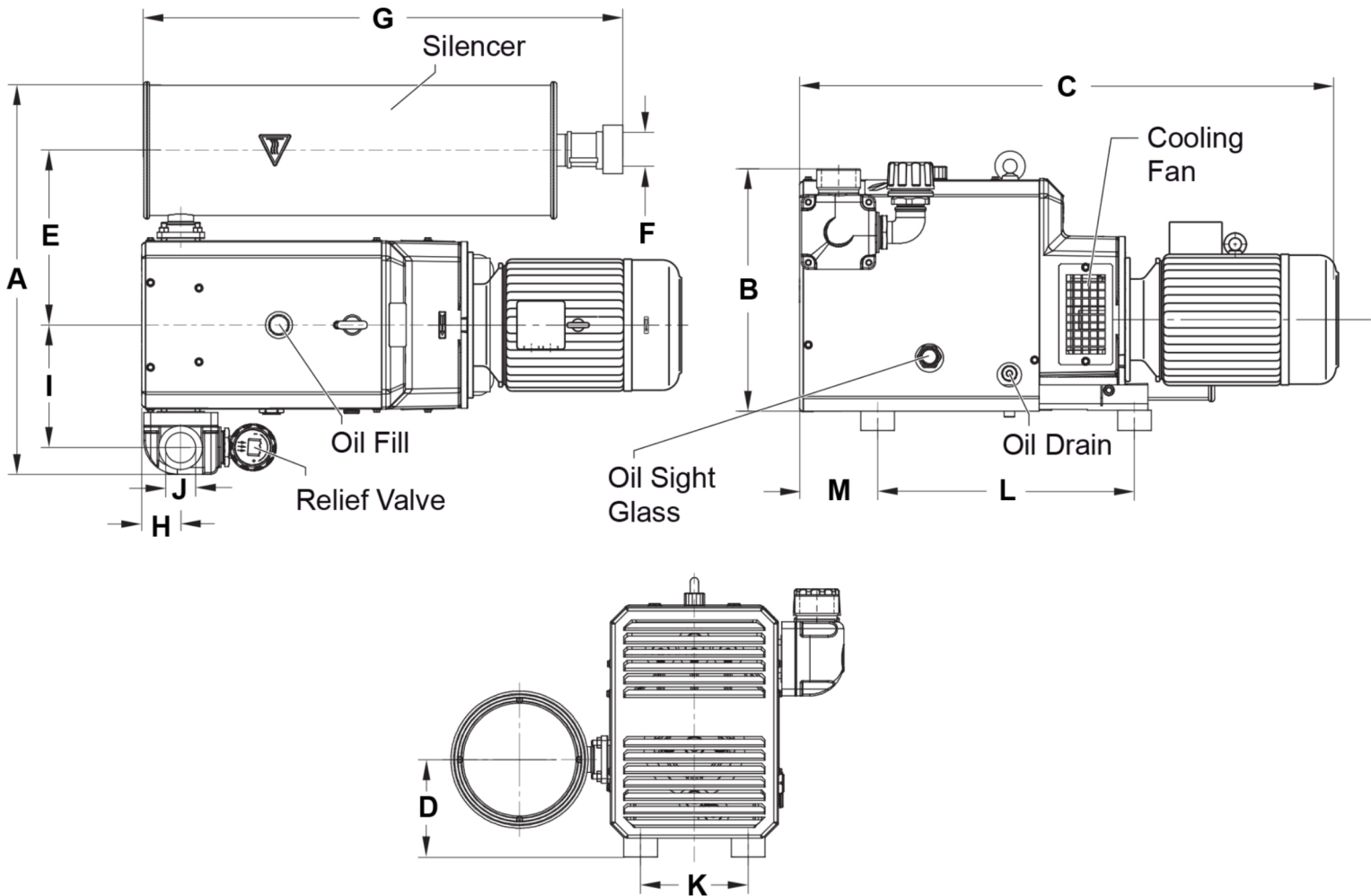
PHONE: 831-462-8900

FAX: 831-462-3536

WWW.PROVAC.COM

Kinney KVC 100, 150, 251

Dimensions



Model	A	B	C	D	E	F - EXHAUST	G	H	I	J - INLET	K	L	M
KVC-100 in. / mm	23.07 586	14.53 369	29.9 759	4.53 115	10.28 261	1 ½" FNPT	29.8 757	2.62 92	7.2 183	1 ½" FNPT	8.66 220	17.32 440	2.99 76
KVC-150 in. / mm	22.99 584	15.24 387	36 916	5.71 145	10.24 260	1 ½" FNPT	28.5 725	2.28 58	7.17 182	1 ½" FNPT	6.3 160	15.04 382	4.57 116
KVC-251 in. / mm	25 635	14.9 378	38.3 973	5.91 150	11.0 280	2" FNPT	41.06 1043	2.56 65	7.68 195	2" FNPT	6.3 160	15.04 382	6.81 173



PROVAC

SALES

PHONE: 831-462-8900

FAX: 831-462-3536

WWW.PROVAC.COM

Kinney KVC 100, 150, 251 Features & Benefits

- oil free compression, contamination free
- optimal CFM per HP
- air cooled motor
- lifting eyebolt for easy transport & placement
- viton shaft seal & 2 labyrinth piston O-rings with atmospheric venting
- small footprint & compact design
- contactless operation ensures minimal wear of parts
- low maintenance & low cost of ownership
- integrated internal discharge silencer offers lowest sound levels
- fully synchronized gears to ensure maximum efficiency in rotor movement

Applications

- woodworking • medical • food & beverage • automotive • plastics
- pick & place • CNC router tables • industrial vacuum • central vacuum systems • thermoforming • food packaging • degassing

