



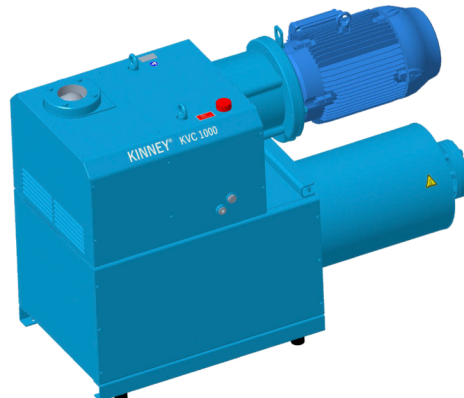
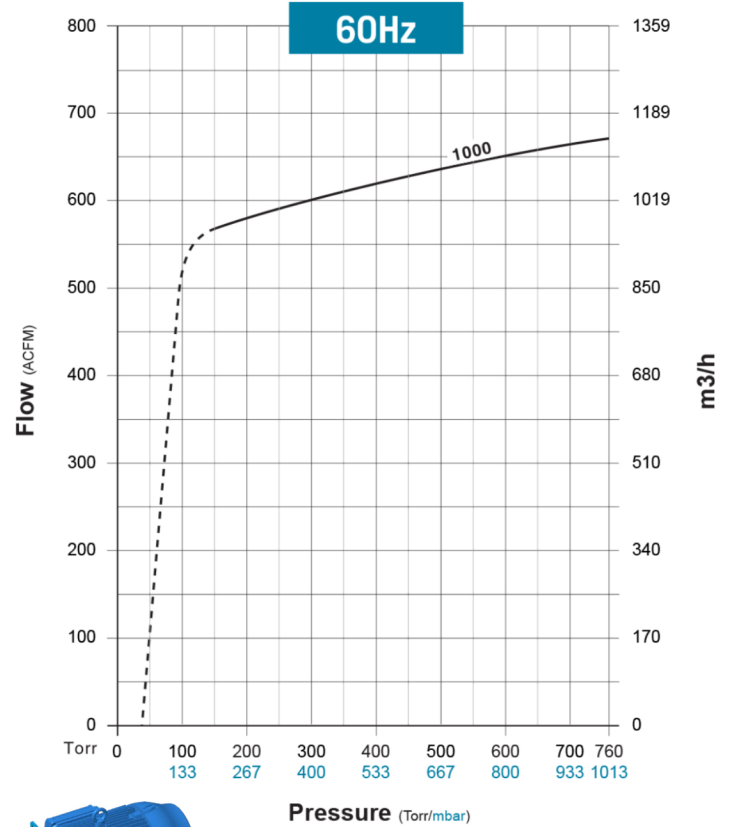
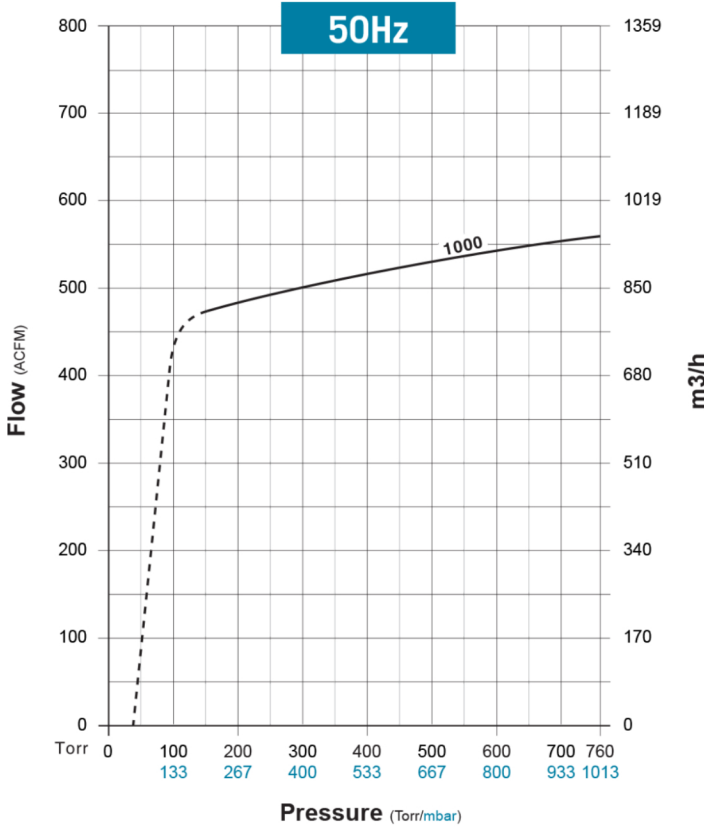
Kinney KVC 1000

Technical Specifications

Model	Nominal Displacement	Ultimate Pressure	Motor	Rotation Speed	Oil Capacity	Pump Weight <i>Includes Motor</i>	Noise Level Max
	CFM / m3/hr	Torr / mbar	60Hz HP / 50Hz kW	60Hz / 50Hz	Gal. / Liters	Lbs. / kg	dB(A)
KVC-1000	50Hz 559 / 950 60Hz 671 / 1140	150 / 200	30 / 18.5	3550 / 2950	.7 / 2.7	1803 / 818	83

Pumping Curves

Note: Do not operate the pump in the vacuum level shown by the dotted line.





PROVAC

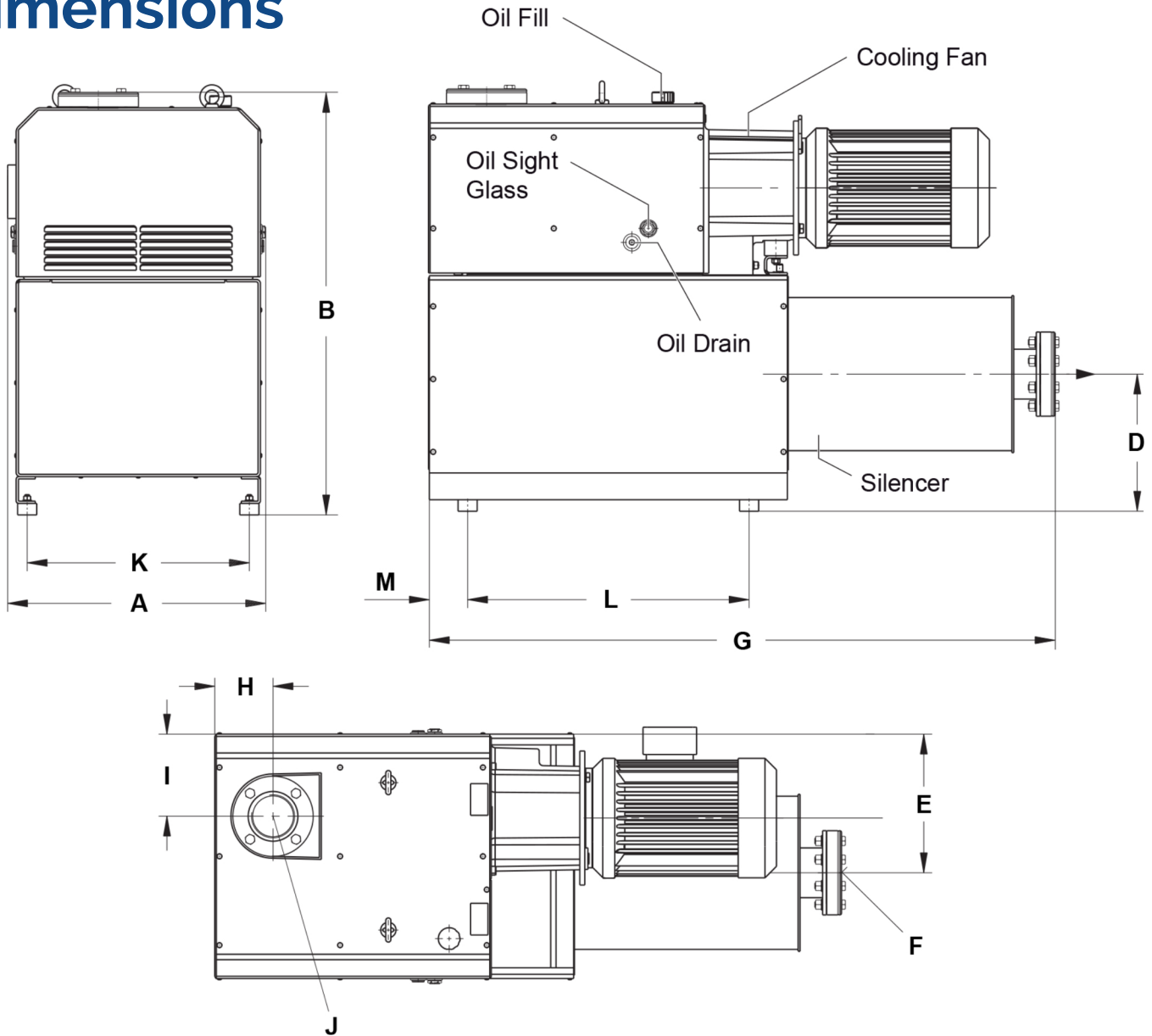
SALES

PHONE: 831-462-8900

FAX: 831-462-3536

WWW.PROVAC.COM

Kinney KVC 1000 Dimensions



Model	A	B	D	E	F - EXHAUST	G	H	I	J - INLET	K	L	M
KVC-1000 in. / mm	28 711	43.5 1105	14.09 358	14.25 362	4" FNPT	64.45 1637	5.98 152	8.43 214	4" NPT	22.83 580	28.94 735	4.02 102



PROVAC

SALES

PHONE: 831-462-8900

FAX: 831-462-3536

WWW.PROVAC.COM

Kinney KVC 1000 Features & Benefits

- oil free compression, contamination free
- optimal CFM per HP
- air cooled motor
- lifting eyebolt for easy transport & placement
- viton shaft seal & 2 labyrinth piston O-rings with atmospheric venting
- small footprint & compact design
- contactless operation ensures minimal wear of parts
- low maintenance & low cost of ownership
- integrated internal discharge silencer offers lowest sound levels
- fully synchronized gears to ensure maximum efficiency in rotor movement

Applications

- woodworking • medical • food & beverage • automotive • plastics
- pick & place • CNC router tables • industrial vacuum • central vacuum systems • thermoforming • food packaging • degassing

