



# Kinney KLRC series

## Technical Specifications

		KLRC-75	KLRC-125	KLRC-200	KLRC-300	KLRC-525	KLRC-526	KLRC-950	KLRC-951
Speed	RPM	1750	1750	1750	1750	1750	1450	1150	860
Drive	Type	Direct	Direct	Direct	Direct	Direct	Belt	Direct	Belt
Standard Motor	HP	5	10	15	25	50	40	100	75
	kW	3.8	7.6	11.4	19	38	30.4	74.6	55.9
Sealant Liquid Required (at 60°F w/ no sealant recovery)	GPM	5	7	8	12	18	18	26	26
	L/min	19	26	30	45	70	70	98	98
Sealant Liquid Required (at 60°F w/ partial sealant recovery)	GPM	3	4	4	6	9	9	13	13
	L/min	11	15	23	30	45	45	49	49
Liquid required to fill a Full Sealant Recovery (FSR) System	US gal	5	6.3	7.5	9	24	24	-	-
	Liters	19	24	28	34	91	91	-	-
Cooling Fluid at 60°F required for HX*	GPM	5	10	15	25	50	50	52	52
	L/min	19	28	57	95	190	190	197	197
Sealant Liquid Connections	NPT	1/2"	3/4"	1"	1"	1-1/4"	1-1/4"	1-1/2"	1-1/2"
Inlet/Outlet Flange	**ANSI 150 Class	1-1/2"	1-1/2"	2"	2"	3"	3"	4"	4"
Overall Length	in	24.1	28.1	29.7	33.6	41	41	56.5	56.5
	mm	613	713	754	852	1041	1041	1435	1435
Overall Height	in	12.6	16	19.1	19.1	23.5	23.5	30.56	30.56
	mm	321	406	486	486	597	597	776	776
Width	in	11.9	12.8	16.9	16.9	18.9	18.9	25.32	25.32
	mm	302	324	429	429	479	479	643	643
Shaft Height	in	6.5	6.9	8.3	8.3	9.8	9.8	12.59	12.59
	mm	165	175	210	210	249	249	320	320
Weight, Net Pump only	lbs	200	255	360	405	800	800	1590	1590
	kg	91	116	163	184	363	363	721	721

\* The HX cooling fluid flow-rates are based on sealant fluid entering the HX at 80°F and exiting at 65°F. Cooler or warmer fluid than 60° will effect the flow rate.

\*\* (ANSI) American National Standards Institute

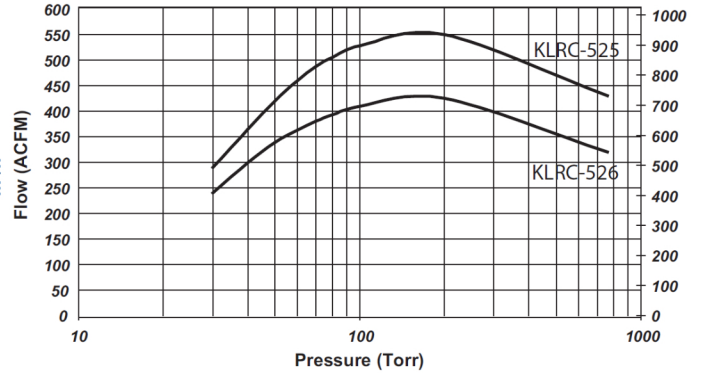
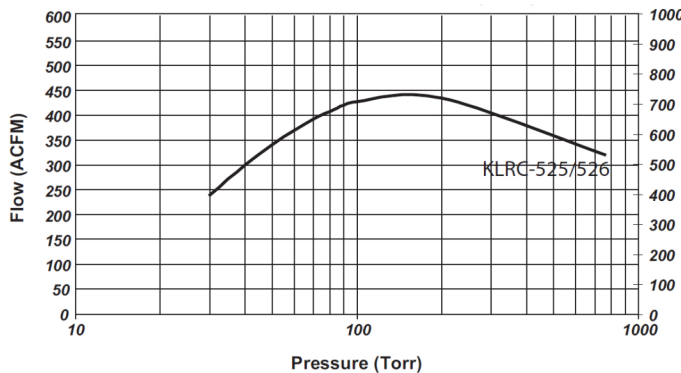
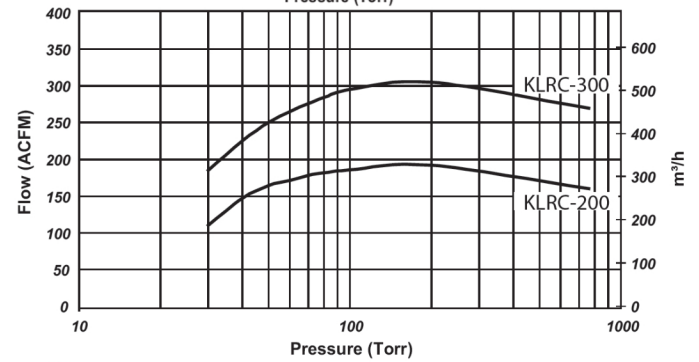
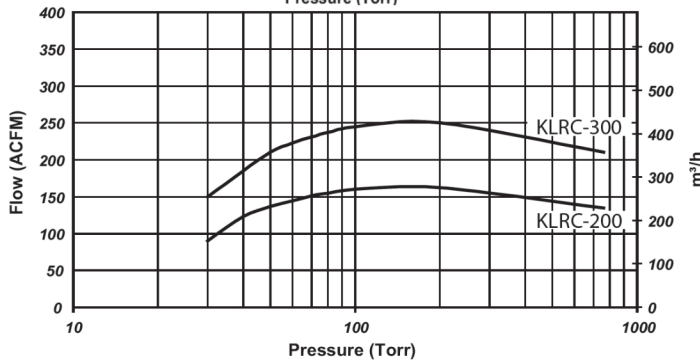
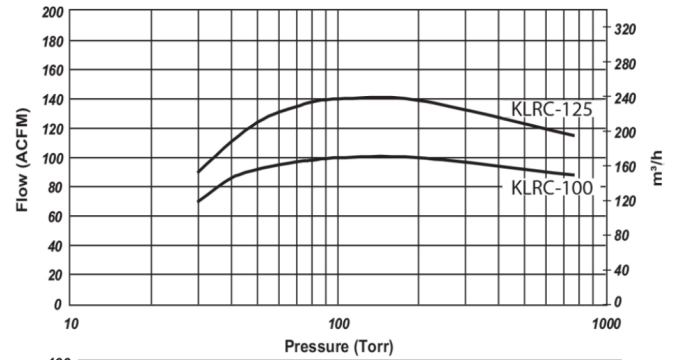
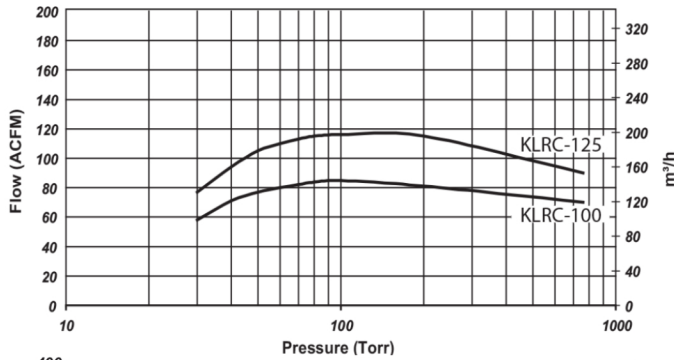
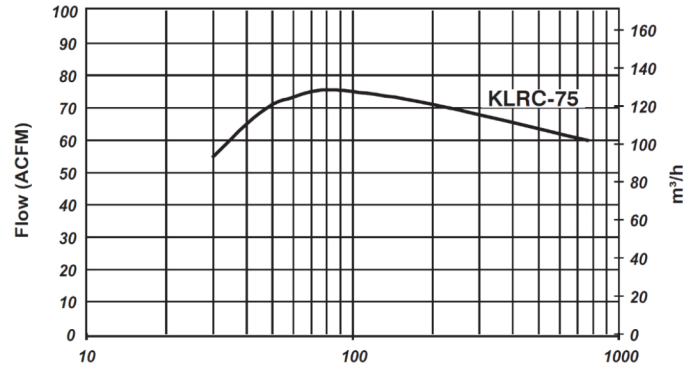
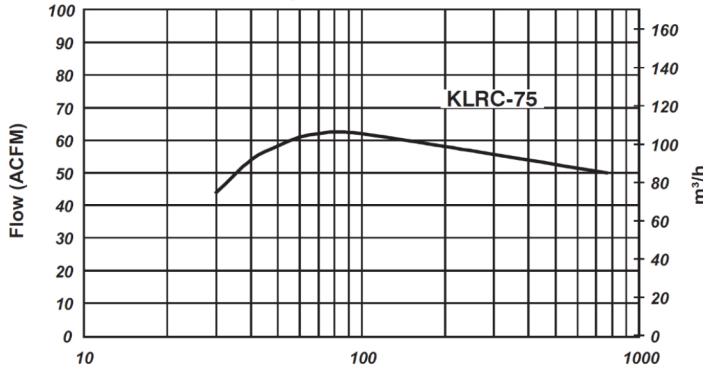
Inch Hg											
Torr											
				22	24	26	27	28	28.5	28.8	
				200	150	100	70	50	40	30	
KLRC	Flange Conn.	HP KW	RPM	CFM/M <sup>3</sup> /Hr	CFM/M <sup>3</sup> /Hr	CFM/M <sup>3</sup> /Hr	CFM/M <sup>3</sup> /Hr	CFM/M <sup>3</sup> /Hr	CFM/M <sup>3</sup> /Hr	CFM/M <sup>3</sup> /Hr	Seal Fluid Required (GPM)
75	1.5" x 1.5"	5 4	1750 1450	71 99	73 102	75 105	75 105	71 99	66 92	55 77	5
125	1.5" x 1.5"	10 7.5	1750 1450	139 195	141 199	140 197	135 192	124 175	111 156	90 127	7
200	2" x 2"	15 11	1750 1450	170 244	180 263	186 263	178 252	164 233	148 209	110 155	8
300	2" x 2"	25 18.5	1750 1450	305 432	302 425	295 417	274 387	250 353	225 315	185 262	12
525	3" x 3"	50 37	1750 1450	550 779	545 772	522 739	485 687	420 595	380 538	300 425	18
526	3" x 3"	40 30	1450	435 740	440 748	425 723	390 663	340 578	300 510	240 408	18
950	4" x 4"	100 75	1150	875 1488	920 1564	1020 1734	1060 1802	1030 1751	970 1649	825 1403	26
951	4" x 4"	60 45	880 960	790/1343 790/1343	825/1403 840/1428	825/1403 925/1572	790/1343 960/1632	675/1148 900/1530	550/935 880/1496	365/621 760/1292	26



## Kinney KLRC series Pumping Curves

50Hz

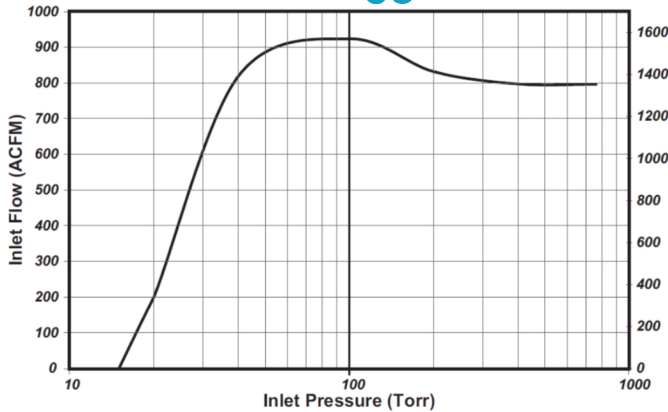
60Hz



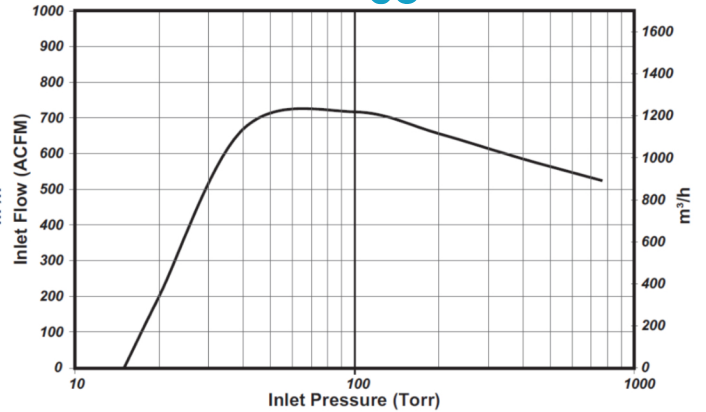


## Kinney KLRC series Pumping Curves cont.

### KLRC 950

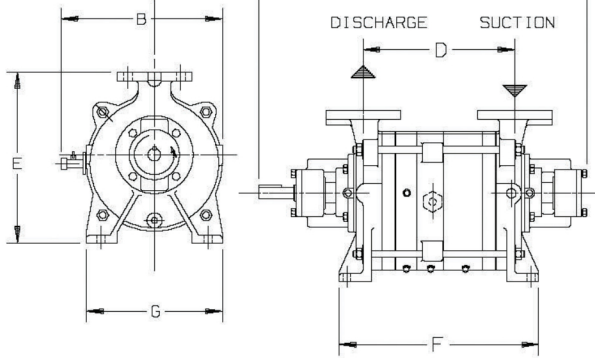


### KLRC 951

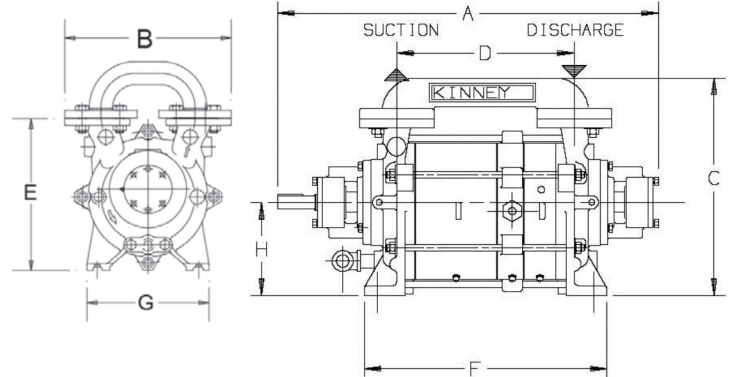


## Dimensions

### KLRC 75



### KLRC 125-526



Sealing Inlet Connections

KLRC 75	KLRC 125	KLRC 200-300	KLRC 525-526	KLRC 950-951
1/2" NPT	3/4" NPT	1" NPT	1-1/4" NPT	1-1/2" NPT

	KLRC 75		KLRC 125		KLRC 200		KLRC 300		KLRC 525-526*		KLRC 950-951*	
	in	mm	in	mm	in	mm	in	mm	in	mm	in	mm
<b>A</b>	24.13	613	28.06	713	29.69	754	33.56	852	41	1041	61.81	1570
<b>B</b>	11.88	302	12.75	324	16.88	429	16.88	429	18.88	479	----	----
<b>C</b>	----	----	16	406	19.13	486	19.13	486	23.5	597	32.88	822
<b>D</b>	11.19	284	13.13	333	12.38	314	16.31	414	22	559	31.25	794
<b>E</b>	12.63	321	13	330	15.25	387	15.25	387	18.56	471	23.5	597
<b>F</b>	14.69	373	17.88	454	16.94	430	20.88	530	27.38	695	37.38	949
<b>G</b>	10	254	10.63	270	11.75	298	11.75	298	15.75	400	18.88	480
<b>H</b>	6.5	165	8.25	175	8.25	232	8.25	232	9.81	243	12.63	321
<b>lbs</b>	200		255		360		405		800		1529	



# PROVAC

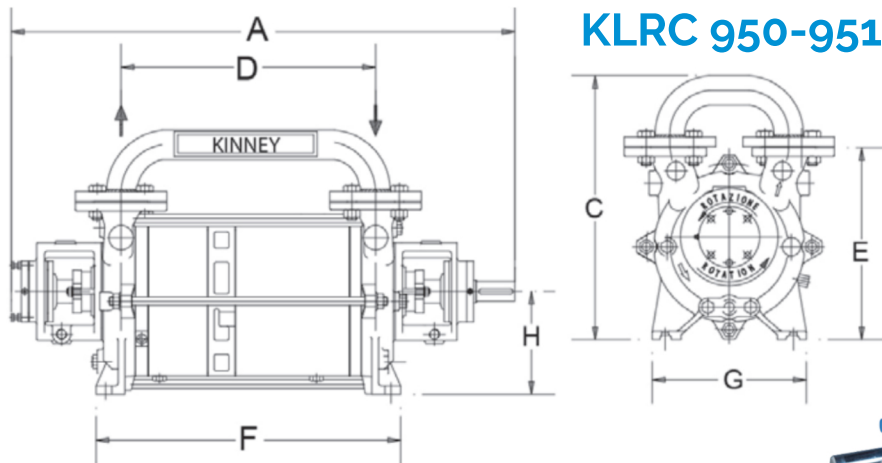
## SALES

PHONE: 831-462-8900

FAX: 831-462-3536

WWW.PROVAC.COM

## Kinney KLRC series Dimensions cont.



## Features & Benefits

- ideally suited for pumping wet mixtures
- can pull down as low as 4 Torr
- low-pressure performance is limited by vapor pressure of the sealing liquid: water, oil, or process liquids
- complete engineered system solutions available
- self-contained liquid recovery & recirculation are available
- center-anchored tie rods allow access to either end of the pump without total disassembly

## Applications

- chemical & pharmaceutical processing • vapor recovery • deaeration
- extruders • crystallizers • central vacuum systems