



Anest Iwata ISP-500C

Technical Specifications

Model		ISP-500C	
Pumping Speed	L/min 60Hz	600	
Ultimate Pressure	Pa (Torr)	$\leq 1 (7.5 \times 10^{-3})$	
Motor Power	W	600	
Voltage	V	1Ph	100,115,200,230
		3Ph	200,208,230,380,415,460
Noise Level	dB (A)		60
Noise Level (at air-flush)			68
Weight	kg	1Ph	44
		3Ph	38
Leak Tightness	Pa · m ³ /s	$\leq 1.0 \times 10^{-5}$	
Water Vapor Capacity	g/day	25	
Air Flush	L/min	10	
Inlet Connection	NW	40	
Outlet Connection	NW	25	
Cooling System		Air-cooled	
Ambient Temperature	°C / °F	5 ~ 40 / 41 ~ 104	





PROVAC

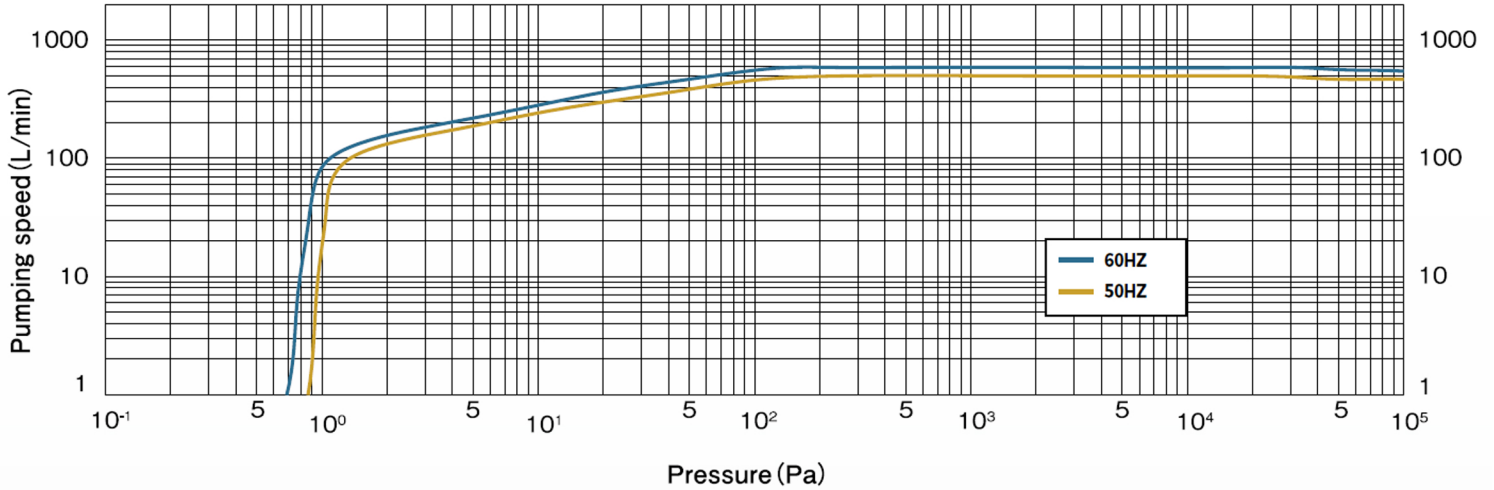
SALES

PHONE: 831-462-8900

FAX: 831-462-3536

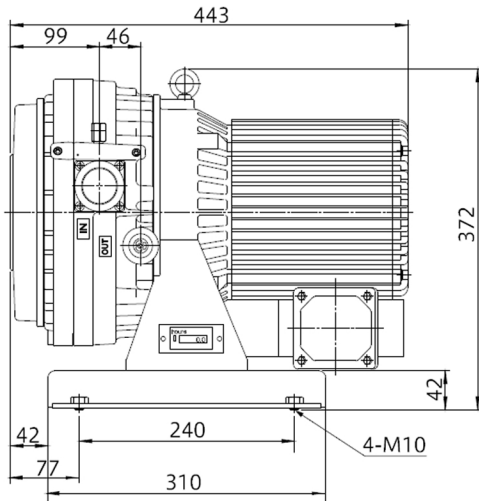
WWW.PROVAC.COM

Anest Iwata ISP-500C Pumping Curves

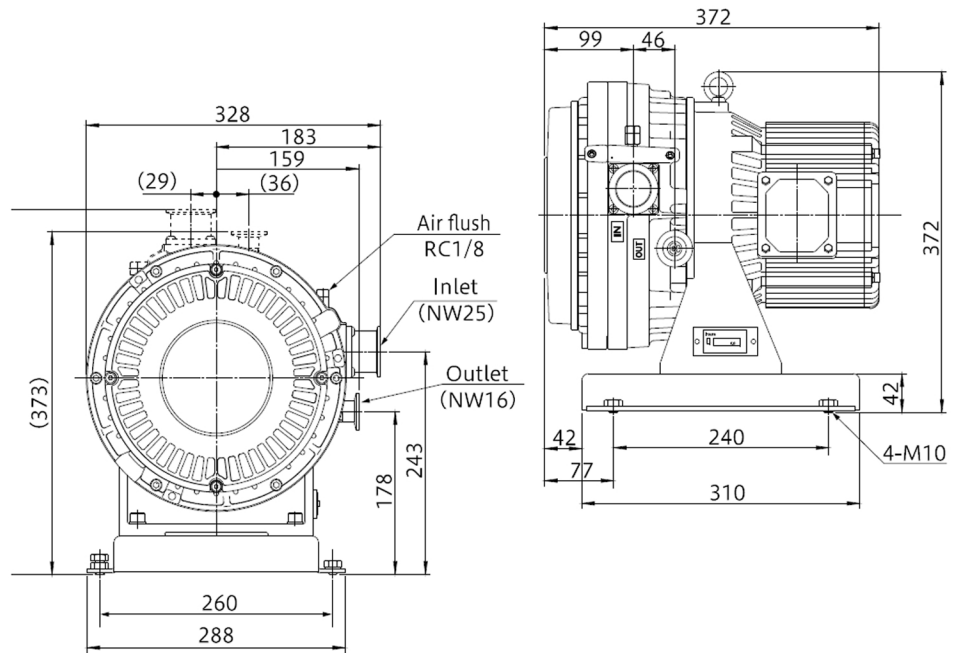


Dimensions

< Single phase >



< Three phase >





PROVAC

SALES

PHONE: 831-462-8900

FAX: 831-462-3536

WWW.PROVAC.COM

Anest Iwata ISP-500C

Features & Benefits

- air-cooled, oil-free scroll-type vacuum
- low noise & vibration
- compact design
- no lubricant maintenance or sealing water administration
- free from installation restrictions
- low power consumption

Applications

- sputtering/vacuum deposition/ion plating equipment • accelerator & synchrotron radiation • surface modification • electron beam process
- gas recovery devices • vacuum equipment • leak detectors • device handling system • vacuum/heat treatment furnace • laboratory use
- vacuum packaging machine

