



Anest Iwata ISP-500C VFD

Technical Specifications

| | | ISP-500C-SV-D1 | ISP-500C-SV-D2 |
|----------------------------------|-------------------|---|-------------------|
| Normal operation | Pumping Speed | 600 L/min (21.2 CFM) | |
| | Ultimate Pressure | 0.7 Pa (5.3×10^{-3} Torr) | |
| Low speed operation | Pumping Speed | 300 L/min (10.6 CFM) | |
| | Ultimate Pressure | 3.0 Pa (2.3×10^{-2} Torr) | |
| Control | | Remote / Manual control | |
| Remote Interface | | RS-485 / Input contact via D-sub 9 pin | |
| Leak Tightness | | 1.0×10^{-5} Pa · m ³ /s | |
| Voltage input | | 100-115V, 1 phase | 200-230V, 1 phase |
| Noise Level 1m with air-flush on | | 60 dB(A) 68 dB(A) | |
| Inlet Flange Vibration | | 1.5 mm/s | |
| Inlet Flange | | NW40 | |
| Outlet Flange | | NW25 | |
| Dimension | Inlet vertical | 476 x 288 x 420 mm (18.8 x 11.3 x 16.6 inch) | |
| | Inlet horizontal | 476 x 328 x 394 mm (18.8 x 12.9 x 15.5 inch) | |
| Weight | | 44kg (97lb) | |



PROVAC

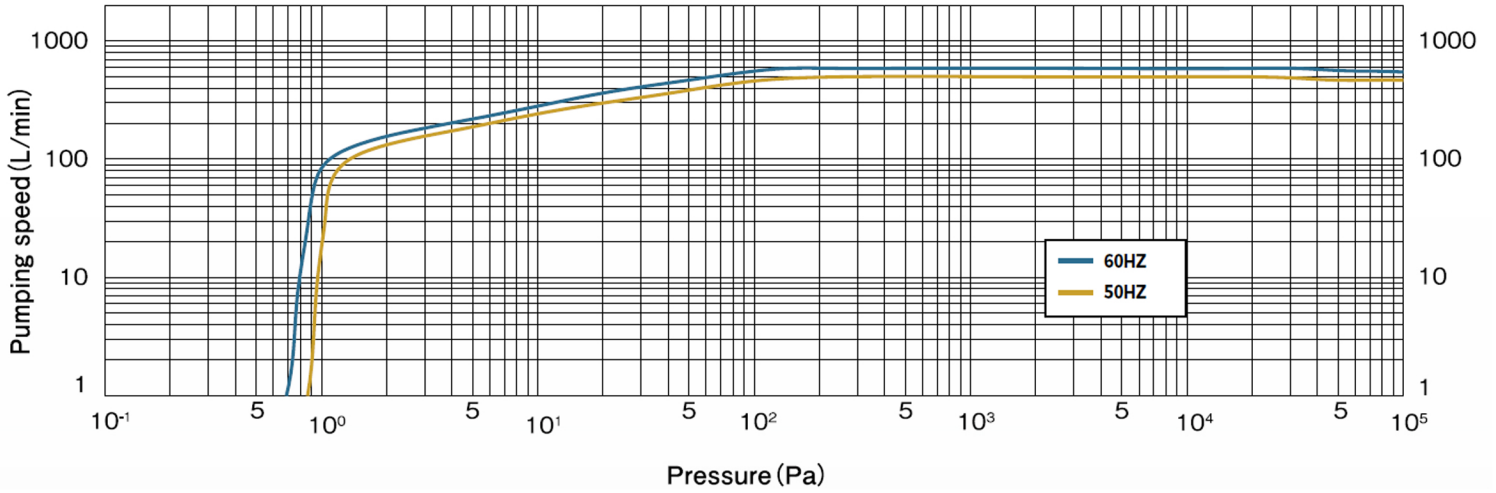
SALES

PHONE: 831-462-8900

FAX: 831-462-3536

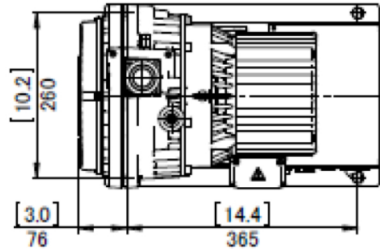
WWW.PROVAC.COM

Anest Iwata ISP-500C VFD Pumping Curves

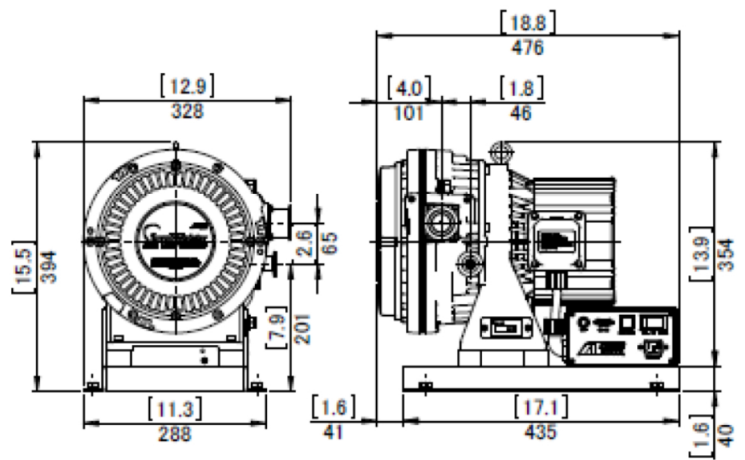
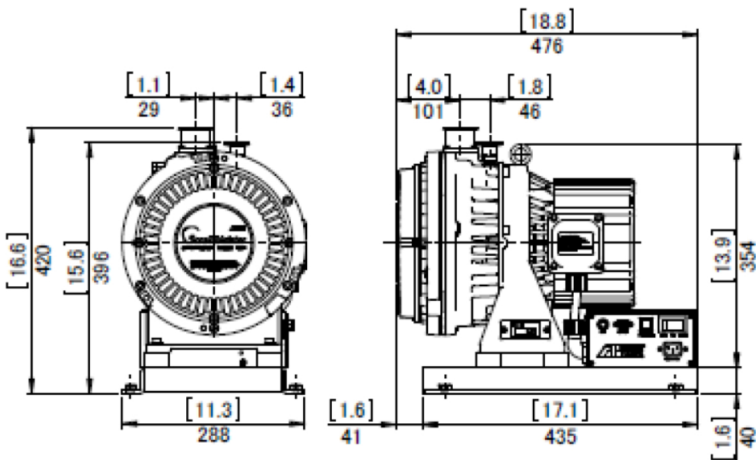
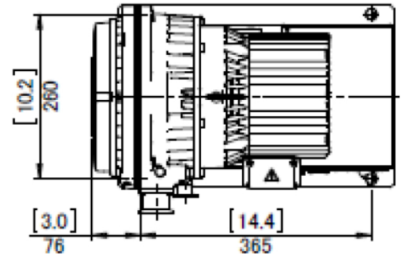


Dimensions

Inlet vertical



Inlet horizontal





PROVAC

SALES

PHONE: 831-462-8900

FAX: 831-462-3536

WWW.PROVAC.COM

Anest Iwata ISP-500C VFD Features & Benefits

- remote & manual control
- 2 speed operation
- excellent ultimate pressure
- air-cooled, oil-free scroll-type vacuum
- low noise & vibration
- compact design
- no lubricant maintenance or sealing water administration
- free from installation restrictions
- low power consumption

Applications

- sputtering/vacuum deposition/ion plating equipment • accelerator & synchrotron radiation • surface modification • electron beam process • gas recovery devices • vacuum equipment • leak detectors
- device handling system • vacuum/heat treatment furnace • laboratory use • vacuum packaging machine

