



# Anest Iwata ISP-500B

## Technical Specifications

Model		ISP-500B										
Displacement (swept volume)	50H	500										
	L/min 60H	600										
Ultimate pressure Pa(Torr)		≤1					(≤7.5×10 <sup>-3</sup> )					
Leak tightness Pa(mbar) · L/S		≤1.0×10 <sup>-2</sup>					(≤1.0×10 <sup>-4</sup> )					
Max. intake pressure		Atmospheric pressure										
Ambient operating temperature range		5℃~40℃										
Motor	Type	Single-phase induction motor Totally-enclosed · 4P · B class insulation capacitor start(without external overheat protection)					3-phase induction motor totally-enclosed · 4P · B class insulation (without external overheat protection)					
	Output kW	0.6										
	Voltage V	100	115	200	230	200	208	230	380	415	460	
	Rated current A	50H	8.5	—	4.3	3.9	2.7	—	—	1.57	1.63	—
		60H	10.0	8.6	4.8	4.0	2.8	2.6	2.5	—	—	1.47
	Revolution min <sup>-1</sup> (rpm)	50H	1430	—	1430	1450	1460	—	—	1470	1470	—
60H		1660	1720	1690	1730	1740	1740	1760	—	—	1770	
Noise level 1m dB(A) with air flush ON(opened)		≤62 ≤70					≤60 ≤68					
Inlet connection		NW40										
Outlet connection		NW25										
Direction of inlet		Laterally fitted					(perpendicularly fitted)					
Dimensions mm L×W×H		443×328×372 (443×298×397)					372×328×372 (372×298×397)					
Mass kg		44					38					
Cooling system		Air-cooled										
Others		With hour meter and air flush										

Note 1 : Pumping speed and ultimate pressure remain roughly the same when air flush is ON(opened) and OFF (closed).

Note 2 : Noise level is measured at ultimate pressure in an anechoic room.

Note 3 : Leak tightness is measured when pump is stopped and air flush is OFF (closed).

Note 4 : Water vapor handling is less than 25g/day when air flush is ON (opened).  
Air flush volume is 10 liters/min.

Note 5 : Air flush is OFF (closed) when pump is delivered.



# PROVAC

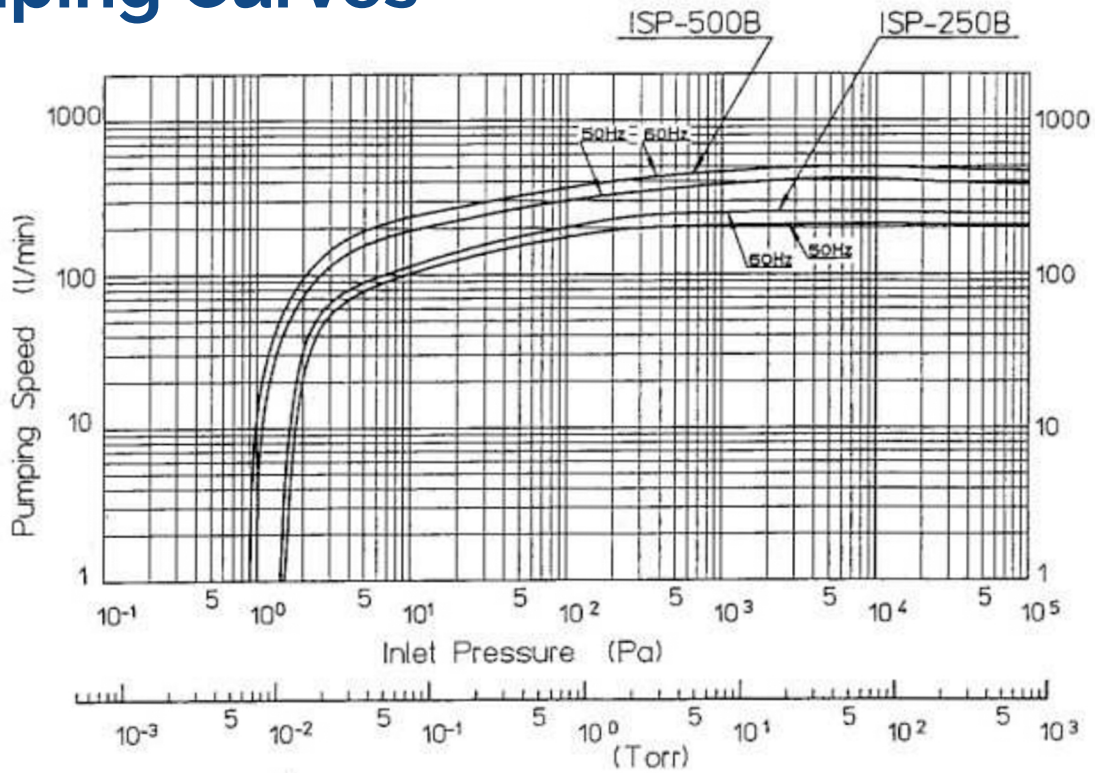
## SALES

PHONE: 831-462-8900

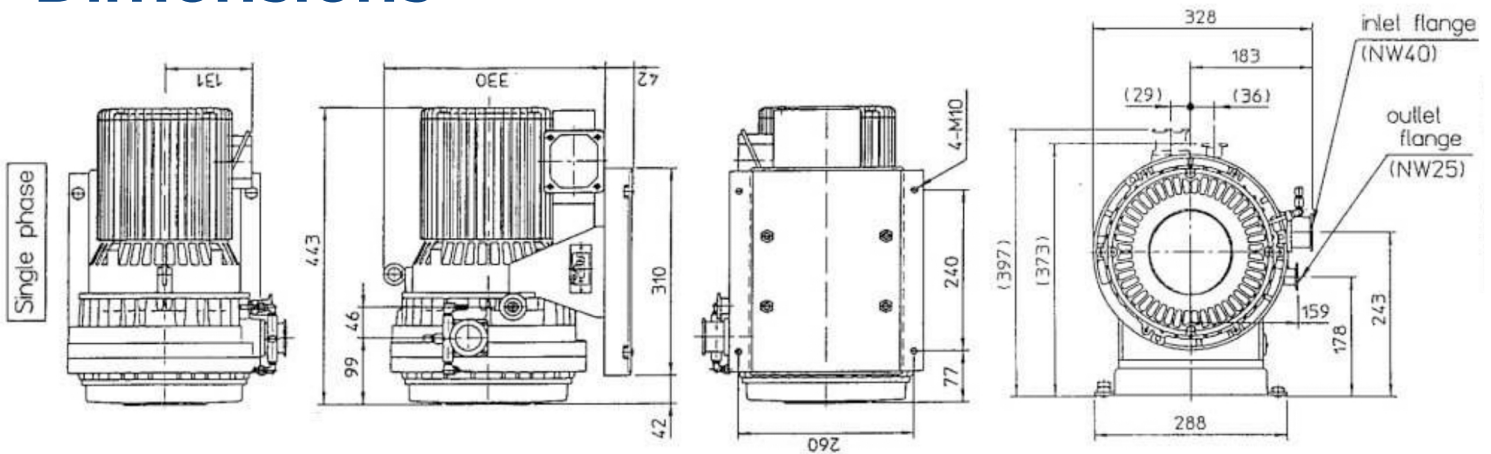
FAX: 831-462-3536

WWW.PROVAC.COM

## Anest Iwata ISP-500B Pumping Curves



## Dimensions



※ Figures in parentheses are dimensions when inlet and outlet are placed vertically.



# PROVAC

## SALES

PHONE: 831-462-8900

FAX: 831-462-3536

WWW.PROVAC.COM

## Anest Iwata ISP-500B

### Features & Benefits

- air-cooled, oil-free scroll-type vacuum
- low noise & vibration
- compact design
- no lubricant maintenance or sealing water administration
- free from installation restrictions
- low power consumption

### Applications

- sputtering/vacuum deposition/ion plating equipment • accelerator & synchrotron radiation • surface modification • electron beam process
- gas recovery devices • vacuum equipment • leak detectors • device handling system • vacuum/heat treatment furnace • laboratory use
- vacuum packaging machine

