



Anest Iwata ISP-50

Technical Specifications

Model		ISP-50
Pumping Speed	L/min (CFM)	60 (2.1)
	60Hz	
Ultimate Pressure	Pa (Torr)	$\leq 15 (1.1 \times 10^{-1})$
Motor Power	W	100
Voltage	V	100, 115, 200, 230
Noise Level	dB (A)	48
Noise Level (at air-flush)		57
Weight	kg	12
Leak Tightness	Pa · m ³ /s	$\leq 1.0 \times 10^{-7}$
Water Vapor Capacity	g/day	3
Air Flush	L/min	4
Inlet Connection	NW	25
Outlet Connection	NW	16
Cooling System		Air-cooled
Ambient Temperature	°C/°F	5 ~ 40 / 41 ~ 104



PROVAC

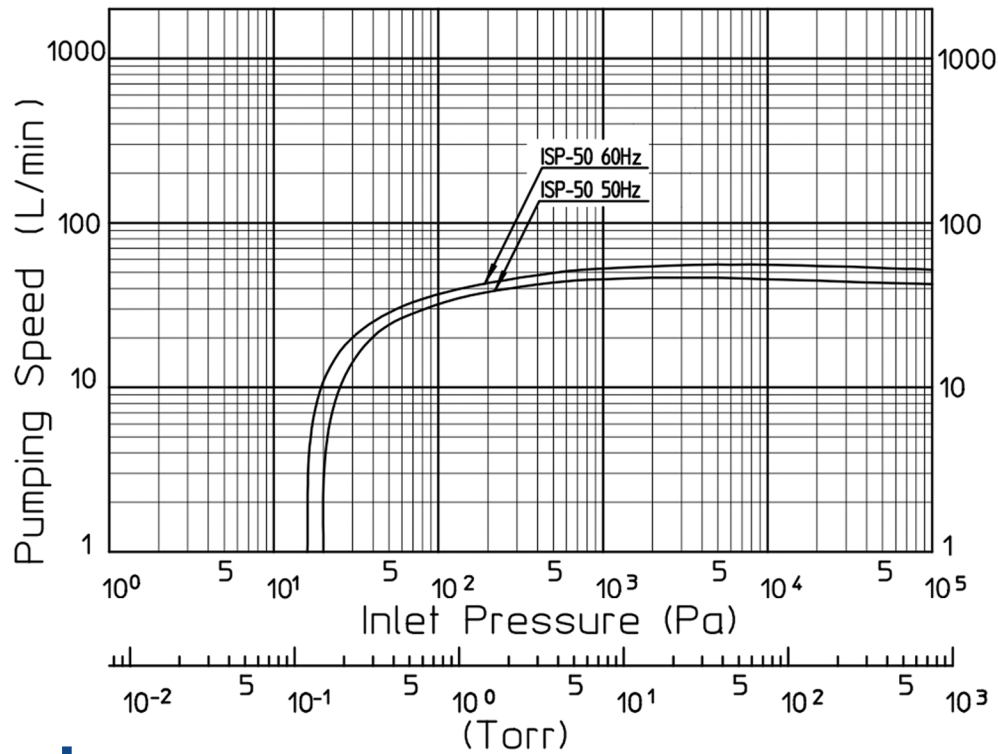
SALES

PHONE: 831-462-8900

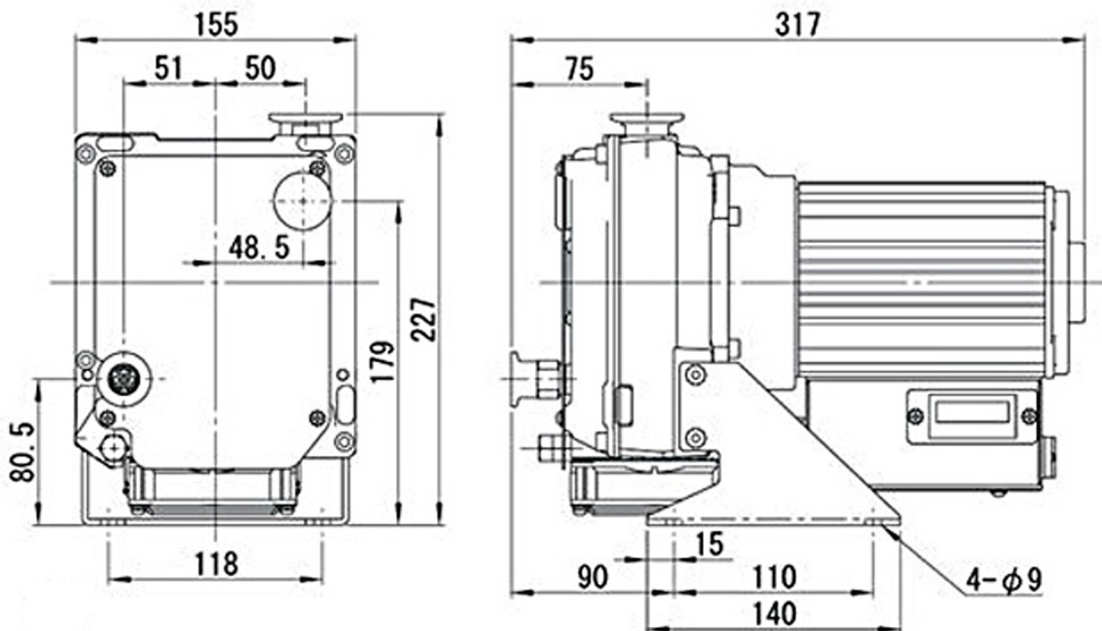
FAX: 831-462-3536

WWW.PROVAC.COM

Anest Iwata ISP-50 Pumping Curves



Dimensions





PROVAC

S A L E S

PHONE: 831-462-8900

FAX: 831-462-3536

WWW.PROVAC.COM

Anest Iwata ISP-50 Features & Benefits

- air-cooled, oil-free scroll-type vacuum
- low noise & vibration
- compact design
- no lubricant maintenance or sealing water administration
- free from installation restrictions
- low power consumption

Applications

- sputtering/vacuum deposition/ion plating equipment • accelerator & synchrotron radiation • surface modification • electron beam process
- gas recovery devices • vacuum equipment • leak detectors • device handling system • vacuum/heat treatment furnace • laboratory use
- vacuum packaging machine

