



Anest Iwata ISP-250C

Technical Specifications

Model		ISP-250C	
Pumping Speed	L/min (CFM) 60Hz	300 (10.6)	
Ultimate Pressure	Pa (Torr)	$\leq 1.6 (1.2 \times 10^{-2})$	
Motor Power	W	400	
Voltage	V	1Ph	100, 115, 200, 230
		3Ph	200, 208, 230, 380, 415, 460
Noise Level	dB (A)		58
Noise Level (at air-flush)			66
Weight	kg	1Ph	25
		3Ph	23
Leak Tightness	Pa · m ³ /s	$\leq 1.0 \times 10^{-5}$	
Water Vapor Capacity	g/day	25	
Air Flush	L/min	10	
Inlet Connection	NW	25	
Outlet Connection	NW	16	
Cooling System		Air-cooled	
Ambient Temperature	°C/°F	5 ~ 40 / 41 ~ 104	





PROVAC

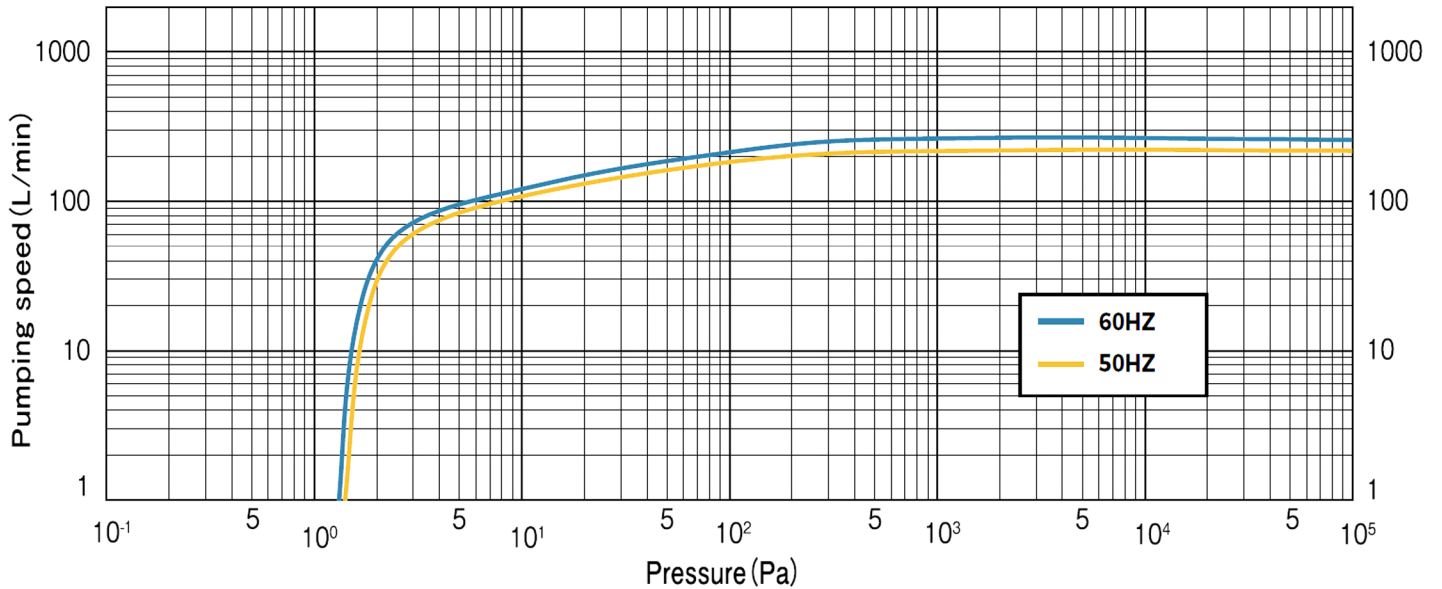
SALES

PHONE: 831-462-8900

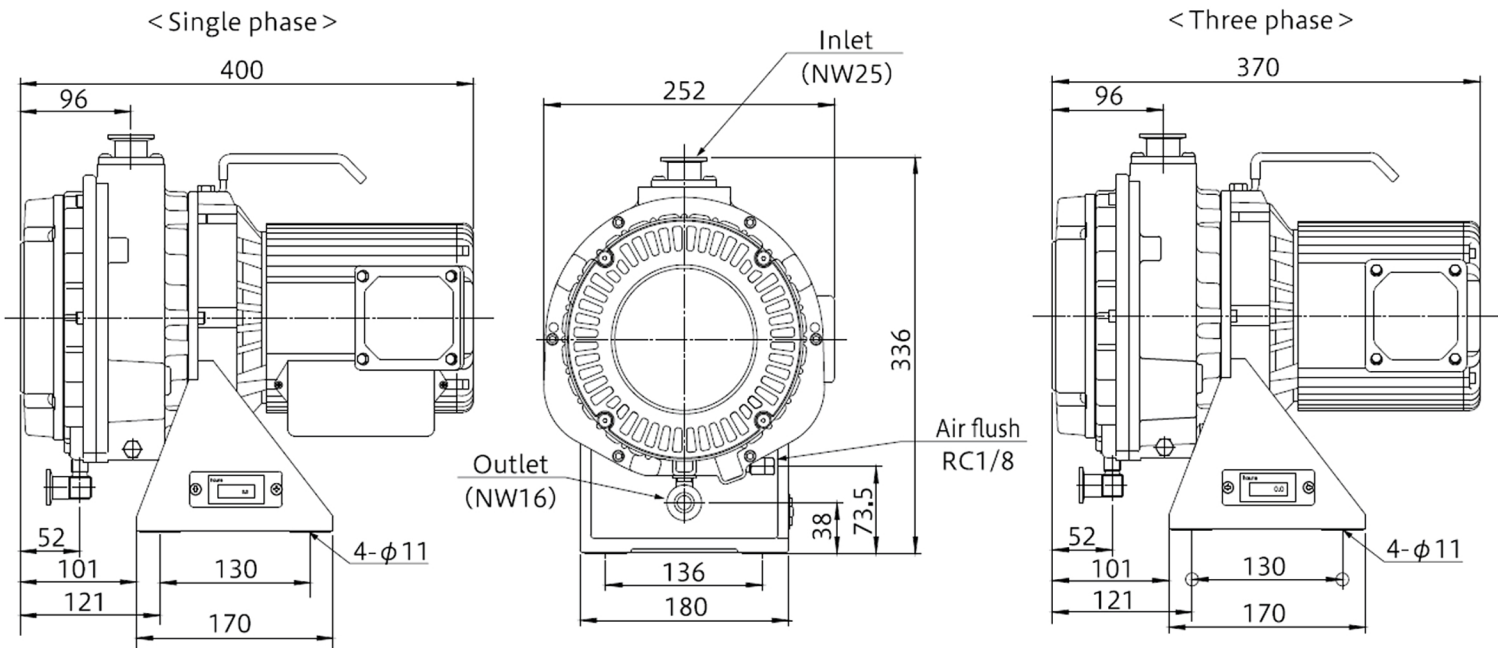
FAX: 831-462-3536

WWW.PROVAC.COM

Anest Iwata ISP-250C Pumping Curves



Dimensions



<Single phase>
L400 x W252 x H336 mm

<Three phase>
L370 x W252 x H336 mm



PROVAC

SALES

PHONE: 831-462-8900

FAX: 831-462-3536

WWW.PROVAC.COM

Anest Iwata ISP-250C

Features & Benefits

- air-cooled, oil-free scroll-type vacuum
- low noise & vibration
- compact design
- no lubricant maintenance or sealing water administration
- free from installation restrictions
- low power consumption

Applications

- sputtering/vacuum deposition/ion plating equipment • accelerator & synchrotron radiation • surface modification • electron beam process
- gas recovery devices • vacuum equipment • leak detectors • device handling system • vacuum/heat treatment furnace • laboratory use
- vacuum packaging machine