



## Anest Iwata ISP-1000

### Technical Specifications

Model		ISP-1000
Pumping Speed	L/min (CFM) 60Hz	1200 (42.2)
Ultimate Pressure	Pa (Torr)	$\leq 1 (7.5 \times 10^{-3})$
Motor Power	W	1400
Voltage	V	200, 208, 230, 380, 415, 460
Noise Level	dB (A)	67
Noise Level (at air-flush)		74
Weight	kg	1Ph
		3Ph
Leak Tightness	Pa · m <sup>3</sup> /s	$\leq 1.0 \times 10^{-5}$
Water Vapor Capacity	g/day	25
Air Flush	L/min	10
Inlet Connection	NW	40
Outlet Connection	NW	40
Cooling System		Air-cooled
Ambient Temperature	°C/°F	10 ~ 40 / 50 ~ 104





# PROVAC

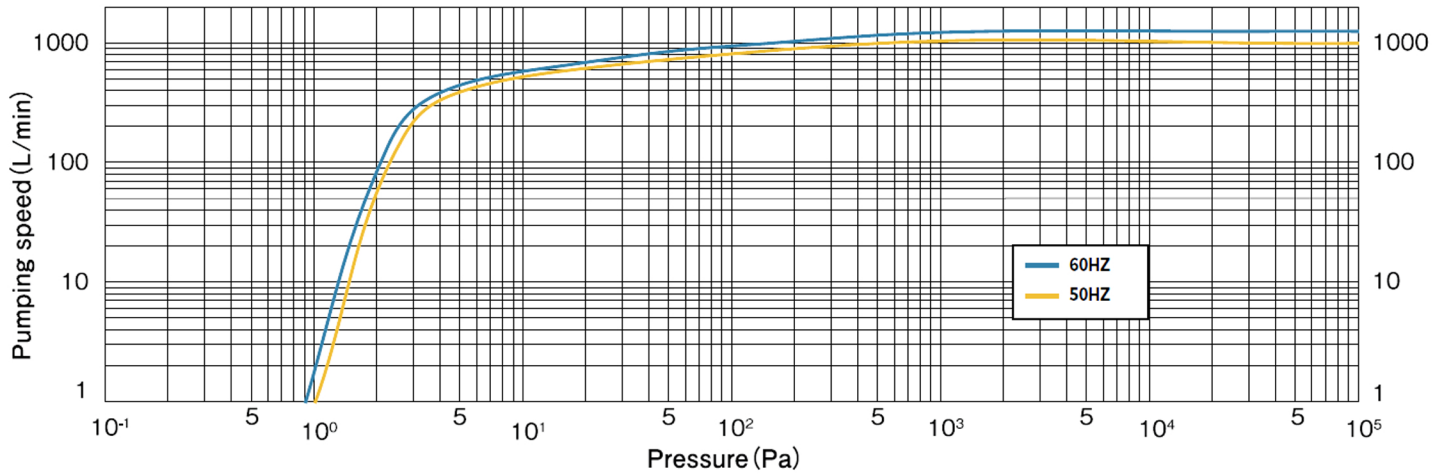
## SALES

PHONE: 831-462-8900

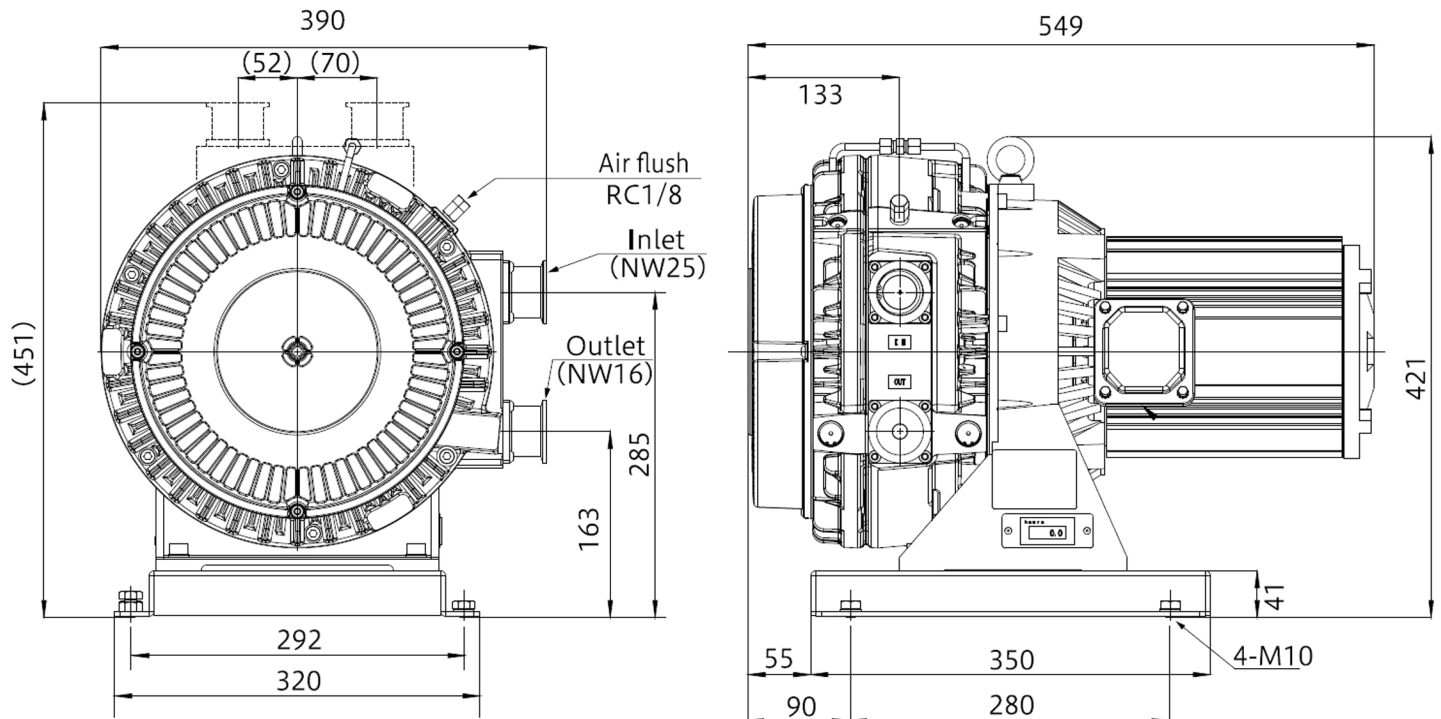
FAX: 831-462-3536

WWW.PROVAC.COM

## Anest Iwata ISP-1000 Pumping Curves



## Dimensions





# PROVAC

## S A L E S

PHONE: 831-462-8900

FAX: 831-462-3536

WWW.PROVAC.COM

---

## Anest Iwata ISP-1000

### Features & Benefits

- air-cooled, oil-free scroll-type vacuum
- low noise & vibration
- compact design
- no lubricant maintenance or sealing water administration
- free from installation restrictions
- low power consumption

### Applications

- sputtering/vacuum deposition/ion plating equipment • accelerator & synchrotron radiation • surface modification • electron beam process
- gas recovery devices • vacuum equipment • leak detectors • device handling system • vacuum/heat treatment furnace • laboratory use
- vacuum packaging machine