



Edwards IPX Series

Technical Specifications

	IPX100/100A	IPX180A	IPX500A
Dimensions	See Figures 8 and 9		
Mass	55 kg; 121.25 lbs	59 kg; 130.00 lbs	60 kg; 132.27 lbs
Inlet	NW40	ISO63	ISO160
Inlet fittings	Use NW40 swing clamp and NW40 strainer fitted with the pump	One ISO63 centring ring, 4 Claw clamps	One ISO160 centring ring, 8 Claw clamps
Outlet	NW25		
Ambient operating temperature range	5 to 40°C, 41 to 104°F		
Maximum ambient operating humidity	90% RH @ 20°C -50%RH @40°C		
Noise level	<59dB(A)		
Maximum operating tilt angle	5°		
Handling	The pump must not be laid on its side or inverted Topple angle 15°		
Maximum exhaust pressure	<1200 mbar absolute <900 Torr absolute		
	IPX100/100A	IPX180A	IPX500A
Warm-up time (to nominal performance)	30 minutes		
Peak pumping speed	100 m ³ hr ⁻¹ 58.9 cfm	175 m ³ hr ⁻¹ 103.0 cfm	500 m ³ hr ⁻¹ 294.3 cfm
Ultimate vacuum*	<5 x 10 ⁻³ mbar, <0.5 Pa, <3.7 x 10 ⁻³ Torr	<1 x 10 ⁻⁴ mbar, <1 x 10 ⁻² Pa, <7.5 x 10 ⁻⁵ Torr	<1 x 10 ⁻⁶ mbar, <1 x 10 ⁻⁴ Pa, <7.5 x 10 ⁻⁷ Torr
Idle vacuum	750 mbar, 7.5 x 10 ⁴ Pa, 560 Torr		
Maximum leak rate	1 x 10 ⁻⁵ mbar ls ⁻¹ , 1 x 10 ⁻³ Pa ls ⁻¹ , 2.1 x 10 ⁻⁸ atm ft ³ min ⁻¹		
Electrical items		Reference data	
Electrical supply	200/208V, 50/60Hz, 400V, 50/60Hz 3-phase		
Voltage tolerance	±10%		
Electrical power			
Full load	3.3 kW		
At ultimate vacuum (no load)	2.2 kW		
At idle	0.6 kW		
Fuse/isolator rating*	20 A current limiting Class CC rated to 600V		
Installation (over-voltage) category	Class II		
Pollution degree	1		
Minimum earth (ground) cable rating	32 A		
Electrical supply plug (fitted to 200/208V variants only)	Hubbell Twist-Lock Insulgrip, Part No. 2421		
Interface connector			
Parallel pump interface	AMP 16-way CPC (male)		
Nominal pin rating	24 V d.c., 0.25 A		
Shut-down thermal snap-switch			
Opening temperature	55°C, 131°F		
Closing temperature	44°C, 111°F		



PROVAC

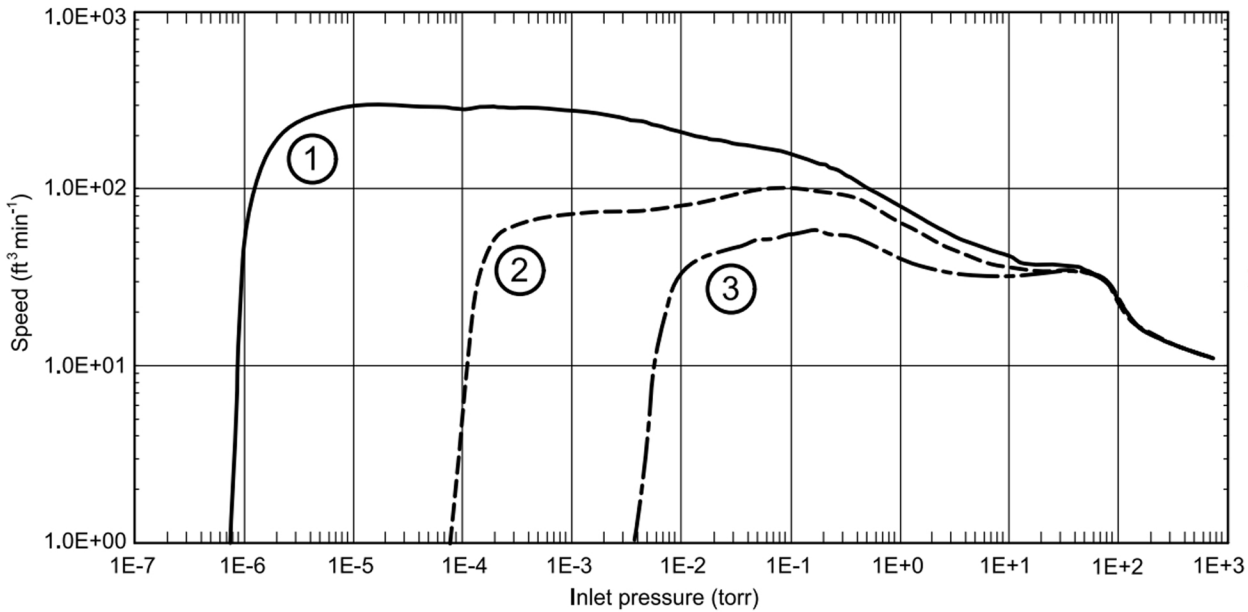
SALES

PHONE: 831-462-8900

FAX: 831-462-3536

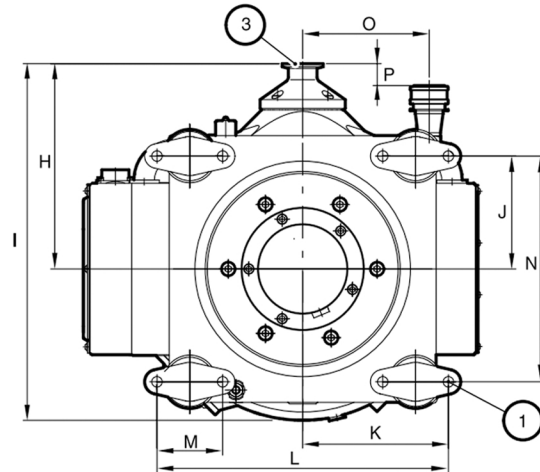
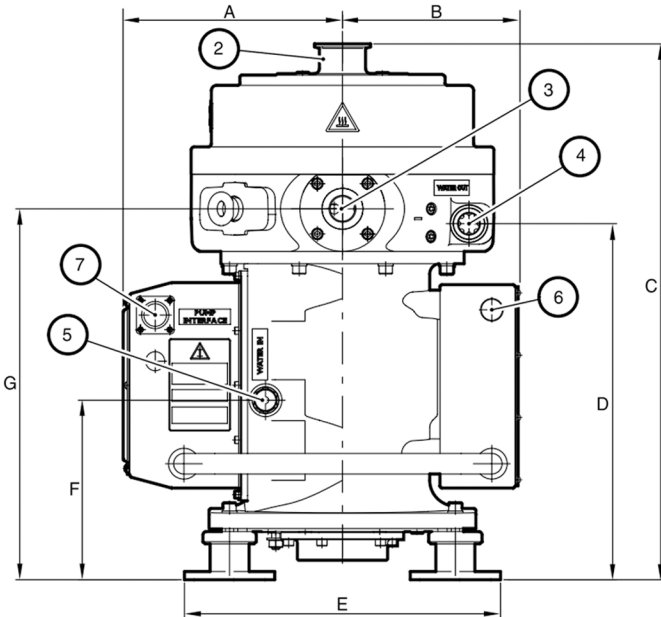
WWW.PROVAC.COM

Edwards IPX Series Pumping Curves



- 1. IPX500A
- 2. IPX180A
- 3. IPX100; IPX100A

Dimensions



	mm	inches
A	214	8.4
B	173	6.8
C (IPX100)	522	20.6
D	347	13.7
E	308	12.1
F	175	6.9
G	361.5	14.2
H	200	7.9
I	347.5	13.7
J	110	4.3
K	142	5.6
L	284	11.2
M	64	2.5
N	220	8.7
O	123	4.8
P	21	0.8

- 1. Fixing hole: $\text{Ø}10.2\text{mm}$, 0.4 inches
- 2. Pump inlet
- 3. Pump outlet
- 4. Cooling-water outlet
- 5. Cooling-water inlet
- 6. Electrical supply
- 7. Pump interface



PROVAC

SALES

PHONE: 831-462-8900

FAX: 831-462-3536

WWW.PROVAC.COM

Edwards IPX Series Applications

- load lock • transfer chamber • PVD sputtering • ashing • stripping
- dielectric etch • beam & target implant • clean environments where fan cooling is unacceptable

