



# Agilent IDP-3, 7, 10, 15

## Technical Specifications

|   |  | IDP-3   | IDP-7  | IDP-10   | IDP-15   |
|---|--|---|--|--|--|
| Pumping speed                                       | 60 Hz L/min, m <sup>3</sup> /h<br>50 Hz L/min, m <sup>3</sup> /h | 60, 3.6<br>50, 3.0  | 152, 9.1<br>120, 7.2   | 170, 10.2 at full speed<br>170, 10.2 at full speed           | 257, 15.4<br>213, 12.8                           |
| Ultimate pressure, mbar (Torr)                      |  | $3.3 \times 10^{-1}$ ( $2.5 \times 10^{-1}$ )             | 60 Hz: $2.6 \times 10^{-2}$ ( $2.0 \times 10^{-2}$ )<br>50 Hz: $4.0 \times 10^{-2}$ ( $3.0 \times 10^{-2}$ ) | $2.0 \times 10^{-2}$ ( $1.5 \times 10^{-2}$ )                | $1.3 \times 10^{-2}$ ( $1 \times 10^{-2}$ )      |
| Maximum inlet pressure, atm (psig)                  |  | 1.0 (0)   | 1.0 (0)  | 1.0 (0)  | 1.0 (0)  |
| Maximum outlet pressure, atm (psig)                 |  | 1.4 (6.5)   | 1.34 (5)   | 1.34 (5)   | 1.4 (6.5)  |
| Inlet connection                                    |  | NW16  | NW25   | NW25   | NW25   |
| Exhaust connection                                  |  | ¼-inch female NPT<br>(10 mm hose barb provided)           | NW16   | NW16   | NW16   |
| Gas ballast   |  | ½-inch female NPT   | ⅝-inch female NPT<br>(two positions)   | ⅝-inch female NPT<br>(two positions)                         | ¼-inch female NPT<br>(two positions)             |
| Motor rating (1 phase), HP (kW)                     |  | 0.16 (0.12)   | 0.38 (0.28)  | 0.50 (0.37)  | 0.75 (0.56)                                      |
| Operating voltages<br>(610 %)                       | 1Ø 60 Hz<br>50 Hz<br>3Ø 60 Hz<br>50 Hz                           | 100, 115, 220-230 V<br>100, 220-230 V<br>–<br>–<br>24 VDC | 100-120, 200-240V<br>100-120, 200-240V<br>–<br>–   | 100-120, 200-240V<br>100-120, 200-240V<br>–<br>–             | 100-120, 200-240V<br>100-120, 200-240V<br>–<br>– |
| Motor thermal protection                            |  | Type U automatic  | Type U automatic   | Type U automatic   | Type U automatic                                 |
| Operating speed                                     | 60 Hz (rpm)<br>50 Hz (rpm)                                       | 3200<br>2600  | 1725<br>1425   | 1900<br>1350<br><i>Variable speed control 63 Hz to 45 Hz</i> | 1725<br>1450                                     |
| Cooling system                                      |  | Air-cooled  | Air-cooled   | Air-cooled   | Air-cooled                                       |
| Ambient operating temperature, °C (°F)              |  | 5 to 40 (41 to 104)                                       | 5 to 40 (41 to 104)  | 5 to 40 (41 to 104)  | 5 to 40 (41 to 104)                              |
| Storage temperature, °C (°F)                        |  | -20 to 60 (-4 to 140)                                     | -20 to 60 (-4 to 140)  | -20 to 60 (-4 to 140)  | -20 to 60 (-4 to 140)                            |
| Weight pump only, kg (lb)                           |  | 9.5 (21)  | 24.5 (54)  | 24.7 (54.5)  | 30 (66)  |
| Shipping weight, kg (lb)                            |  | 10.5 (23)   | 28.1 (62)  | 28.1 (62)  | 54 (118)   |
| Noise level (per ISO 11201), dB                     |  | 55  | 52   | 53   | 50 ±2  |
| Vibration level (per ISO 10816 <sup>-1</sup> ) mm/s |  | 1.5   | 7  | 7  | < 9  |



# PROVAC

## SALES

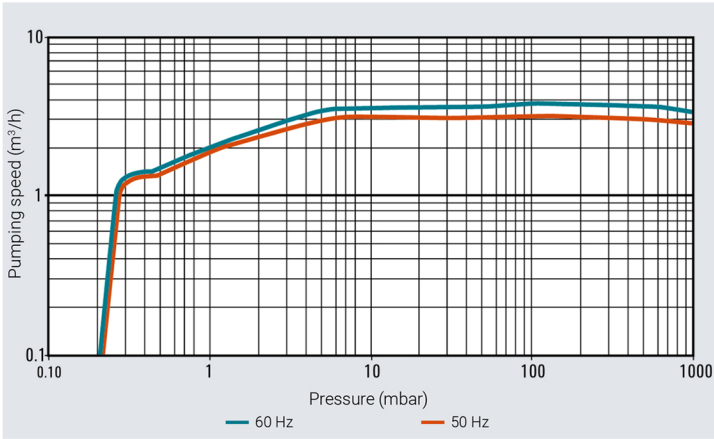
PHONE: 831-462-8900

FAX: 831-462-3536

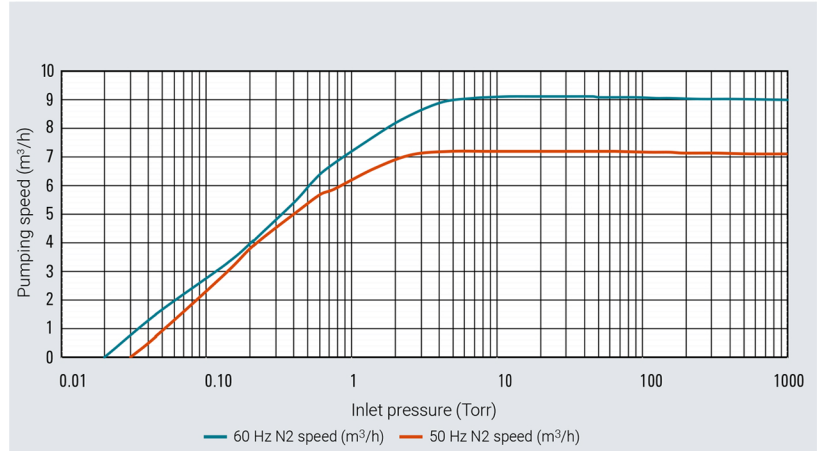
WWW.PROVAC.COM

# Agilent IDP-3, 7, 10, 15 Pumping Curves

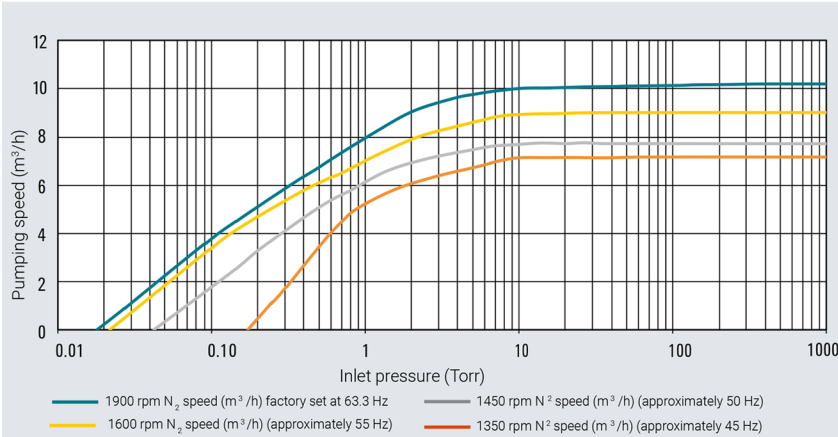
### IDP-3



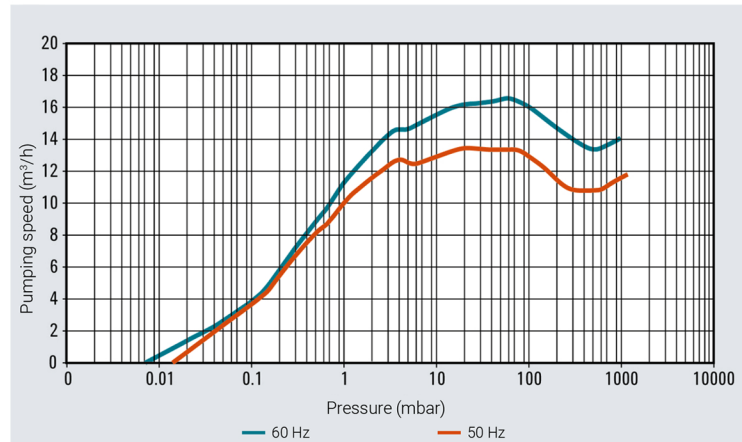
### IDP-7



### IDP-10



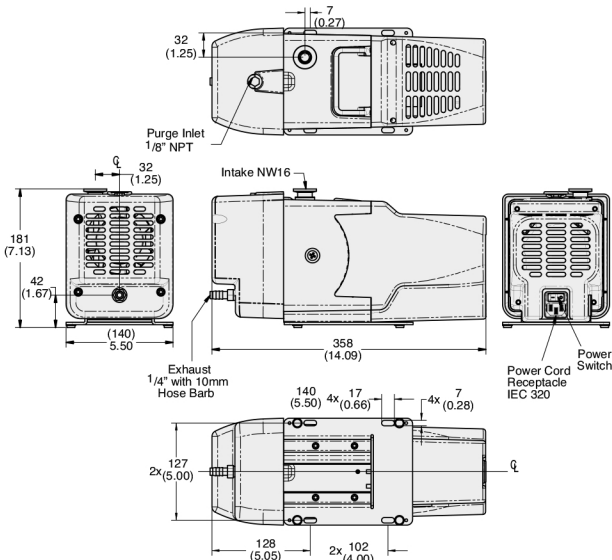
### IDP-15





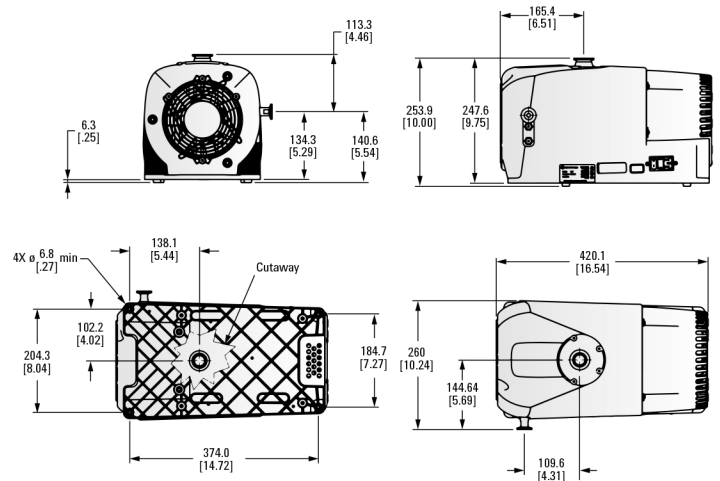
## Agilent IDP-3, 7, 10, 15 Dimensions

### IDP-3



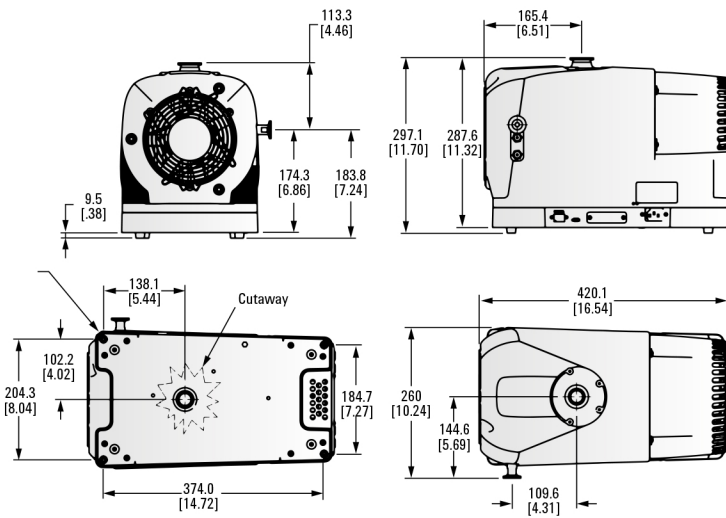
Dimensions: millimeters (inches)

### IDP-7



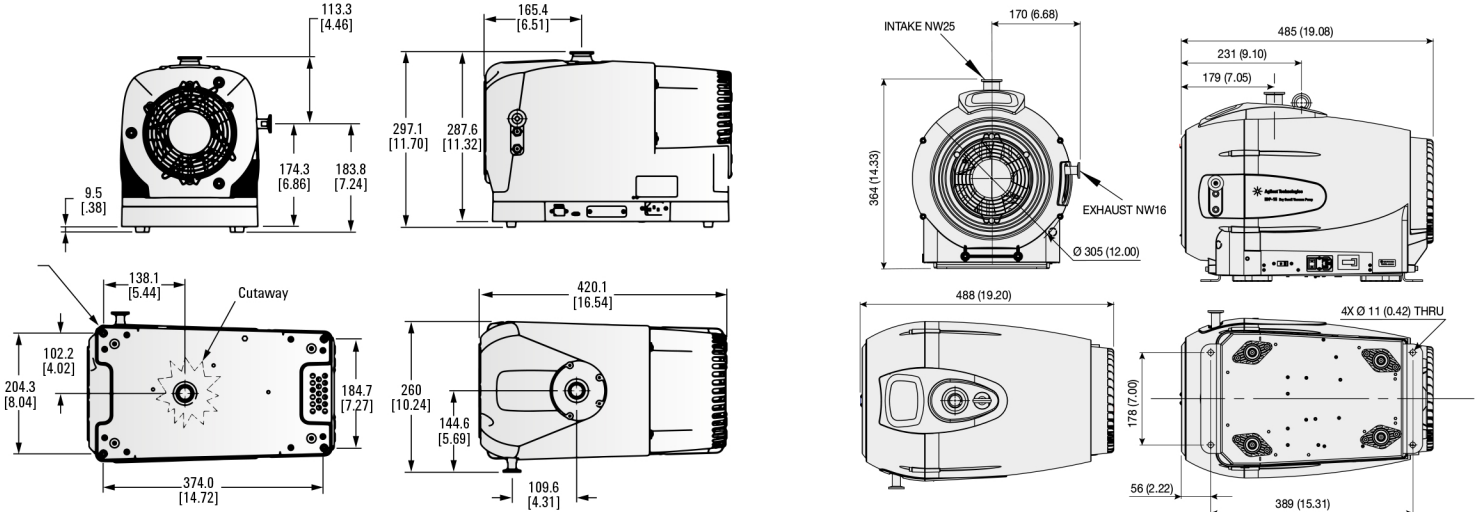
Dimensions: millimeters (inches)

### IDP-10



Dimensions: millimeters (inches)

### IDP-15



Dimensions: millimeters (inches)



## Agilent IDP-3, 7, 10, 15

### Features & Benefits

- less downtime, lower cost of ownership
- easy installation & integration
- fail-safe integral isolation valve
- high pumping speed, low base pressure
- oil-free eliminates contamination possibility
- innovative hermetic design
- easy replaceable tip seals
- fixed speed motor
- quiet operation



### Applications

- mass spectrometry • electron microscopy • sample preparation
- glove box • research • freeze drying • helium recirculation • backing turbo pumps • loadlock