

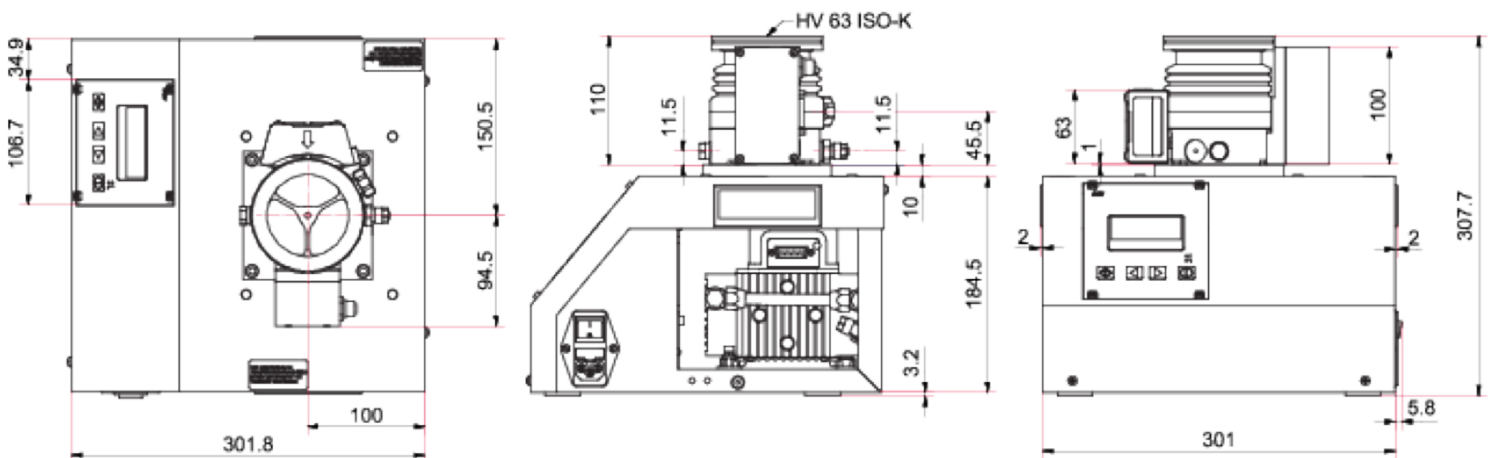


# Pfeiffer HiCube 30 Eco

## Technical Specifications

HiCube 30 Eco	
Backing pump	MVP 015-4
Cooling method, standard	Air
Flange (in)	DN 63 ISO-K
Flange (out)	Silencer, G 1/8"
Mains requirement: frequency (range)	50/60 Hz
Mains requirement: power consumption	170 W
Mains requirement: voltage	100 – 240 V
Power consumption max.	170 W
Pumping speed backing pump at 50 Hz	0.75 m <sup>3</sup> /h
Pumping speed for N <sub>2</sub>	32 l/s
Sound pressure level	≤ 50 dB(A)
Turbopump	HiPace 30
Type	Turbo pumping station
Ultimate pressure	< 1 · 10 <sup>-7</sup> hPa   < 7.5 · 10 <sup>-8</sup> Torr   < 1 · 10 <sup>-7</sup> mbar
Weight	13.4 kg   29.54 lb

## Dimensions





**PROVAC**  
SALES

PHONE: 831-462-8900

FAX: 831-462-3536

WWW.PROVAC.COM

## Pfeiffer HiCube 30 Eco Features & Benefits

- can be configured to meet the requirements of all applications in high & ultra-high vacuums
- features connectivity for digital pressure sensors
- optimal combination of HiPace turbo pump & backing pump
- modular design affords simple customization for application
- service friendly due to accessibility of individual components
- integrated drive electronics
- easy data collection & analysis
- plug & play - no installation or cabling required
- robust engineering makes for long service life
- optional forevacuum safety valve prevents venting in power failure
- direct connection of vacuum gauges possible

## Applications

- research & development • accelerators • analysis & surface physics
- vacuum process technology • general vacuum applications

