

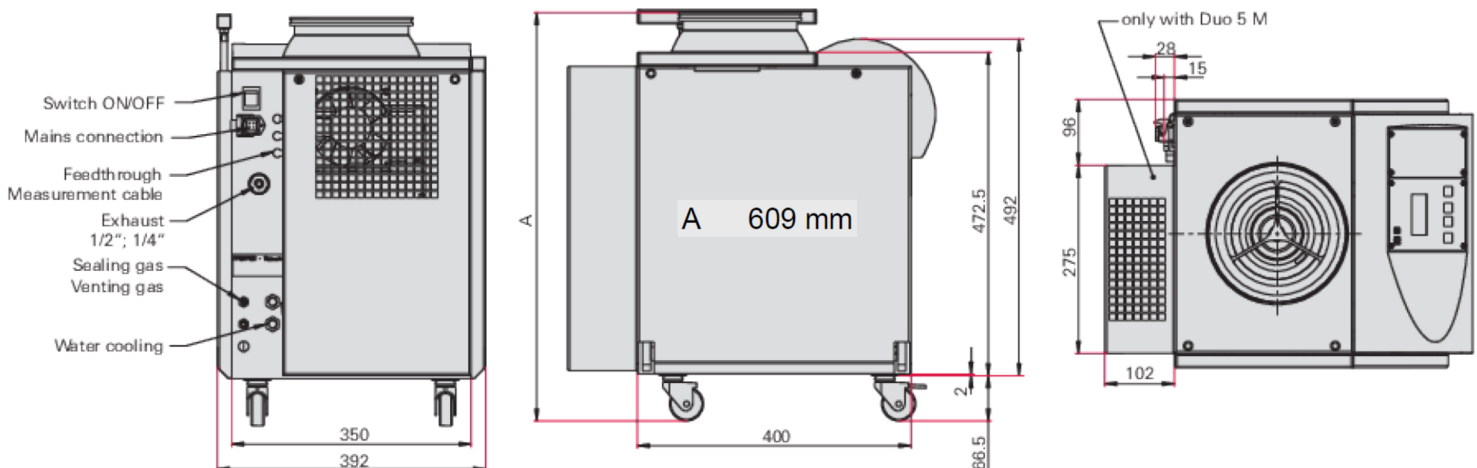


# Pfeiffer HiCube 300H Classic

## Technical Specifications

HiCube 300 H Classic	
Backing pump	MVP 040
Cooling method, standard	Air
Flange (in)	DN 100 ISO-K
Flange (out)	G 1/2, G 1/4
Fore-vacuum safety valve	-
Mains requirement	115 V AC, 50/60 Hz
Pumping speed backing pump at 50 Hz	2.3 m <sup>3</sup> /h
Pumping speed for N <sub>2</sub>	260 l/s
Sound pressure level	≤ 50 dB(A)
Turbopump	HiPace 300 H
Type	Turbo pumping station
Ultimate pressure	< 1 · 10 <sup>-7</sup> hPa   < 7.5 · 10 <sup>-8</sup> Torr   < 1 · 10 <sup>-7</sup> mbar
Weight	46 kg   101.41 lb

## Dimensions





# PROVAC

## SALES

PHONE: 831-462-8900

FAX: 831-462-3536

WWW.PROVAC.COM

## Pfeiffer HiCube 300H Classic Features & Benefits

- floor standing, compact pumping station
- easy data collection & analysis
- optimal combination of HiPace turbo pump & backing pump
- modular design affords simple customization for application
- service friendly due to accessibility of individual components
- integrated drive electronics
- plug & play - no installation or cabling required
- robust engineering makes for long service life
- optional forevacuum safety valve prevents venting in power failure
- direct connection of vacuum gauges possible

## Applications

- research & development • accelerators • analysis & surface physics
- vacuum process technology • general vacuum applications

