



Pfeiffer Hepta 300P

Technical Specifications

	Hepta 300 P
Ambient temperature	0-50 °C 32-122 °F 273-323 K
Cooling water flow	120 – 360 l/h
Cooling water pressure	3,000-6,000 hPa 2,250-4,500 Torr 3,000-6,000 mbar
Cooling water temperature	10-25 °C 50-77 °F 283-298 K
Flange (in)	G 2"
Flange (out)	G 2"
Mains requirement: voltage 60 Hz	220 – 230/416 – 460 V
Motor rating 60 Hz	9.5 kW
Nominal pumping speed at 60 Hz	385 m ³ /h
Nominal rotation speed at 60 Hz	3,600 rpm 3,600 min ⁻¹
Operating fluid	D1, synthetic diester based oil
Operating fluid filling	1.55 l
Protection category	IP55
Sound pressure level	77 dB(A)
Ultimate pressure	< 1 · 10 ⁻² hPa < 7.5 · 10 ⁻³ Torr < 1 · 10 ⁻² mbar
Weight	344 kg 758.38 lb





PROVAC

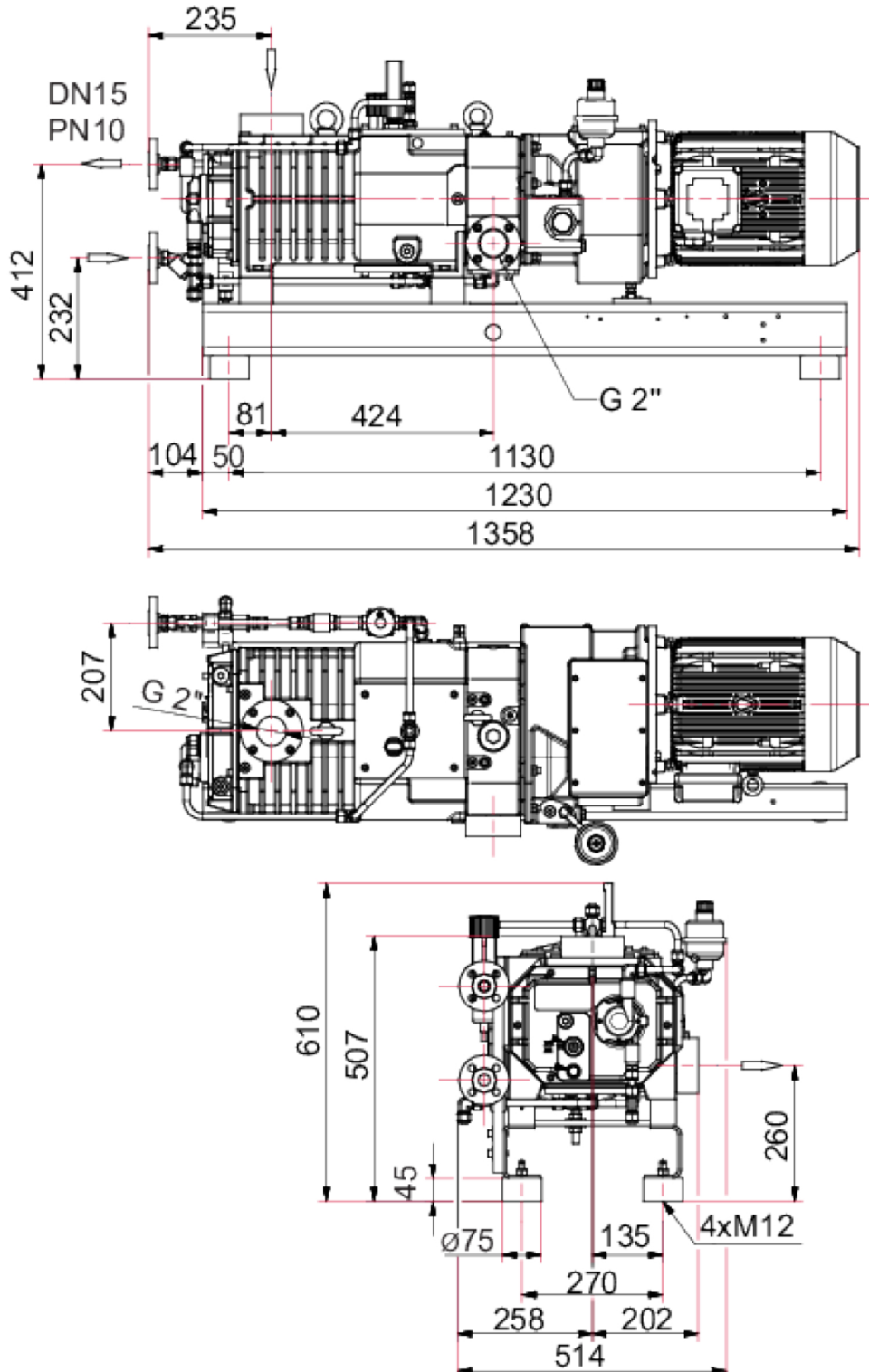
SALES

PHONE: 831-462-8900

FAX: 831-462-3536

WWW.PROVAC.COM

Pfeiffer Hepta 300P Dimensions





PROVAC

SALES

PHONE: 831-462-8900

FAX: 831-462-3536

WWW.PROVAC.COM

Pfeiffer Hepta 300P Features & Benefits

- oil-free vacuum
- one-piece variable pitch rotors
- low stressing of bearings & seals
- ideal for use as single pumps or in combination of HiLobe Roots
- optimal ultimate pressure & broadest range of applications
- high pumping speed at atmospheric pressure reduces pump-down
- water cooled with temperature monitoring
- internal compression leads to saving energy costs
- direct gas flow & optimized temperature profile minimize deposits
- low energy consumption, low noise level
- highly process capable due to sealing gas, gas ballast & flushing gas

Applications

- metallurgy • coating • freeze drying • load locks • electron beam welding • gas separation • superclean gas applications • degassing