



# Pfeiffer Hepta 100P

## Technical Specifications

	Hepta 100 P
Ambient temperature	0-50 °C   32-122 °F   273-323 K
Cooling water flow	120 – 360 l/h
Cooling water pressure	3,000-6,000 hPa   2,250-4,500 Torr   3,000-6,000 mbar
Cooling water temperature	10-25 °C   50-77 °F   283-298 K
Flange (in)	G 1½"
Flange (out)	G 1½"
Mains requirement: voltage 60 Hz	220 – 230/416 – 460 V
Motor rating 60 Hz	4.8 kW
Nominal pumping speed at 60 Hz	130 m <sup>3</sup> /h
Nominal rotation speed at 60 Hz	3,600 rpm   3,600 min <sup>-1</sup>
Operating fluid	D1, synthetic diester based oil
Operating fluid filling	1.55 l
Protection category	IP55
Sound pressure level	74 dB(A)
Ultimate pressure	< 1 · 10 <sup>-2</sup> hPa   < 7.5 · 10 <sup>-3</sup> Torr   < 1 · 10 <sup>-2</sup> mbar
Weight	264 kg   582.01 lb





# PROVAC

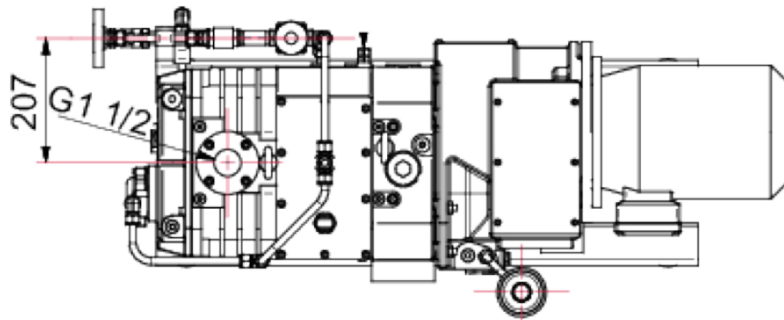
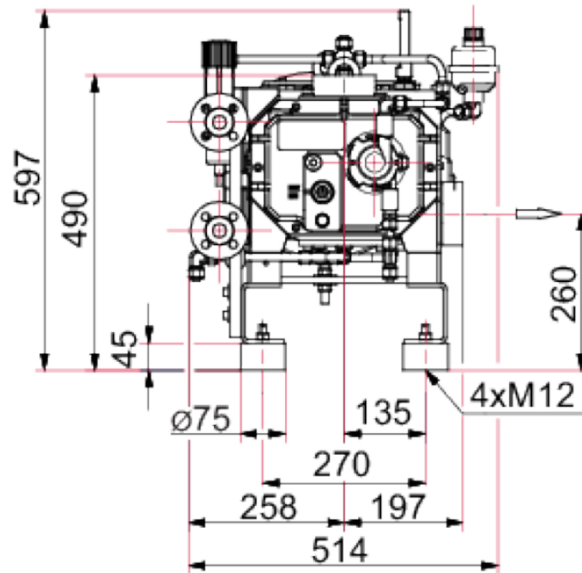
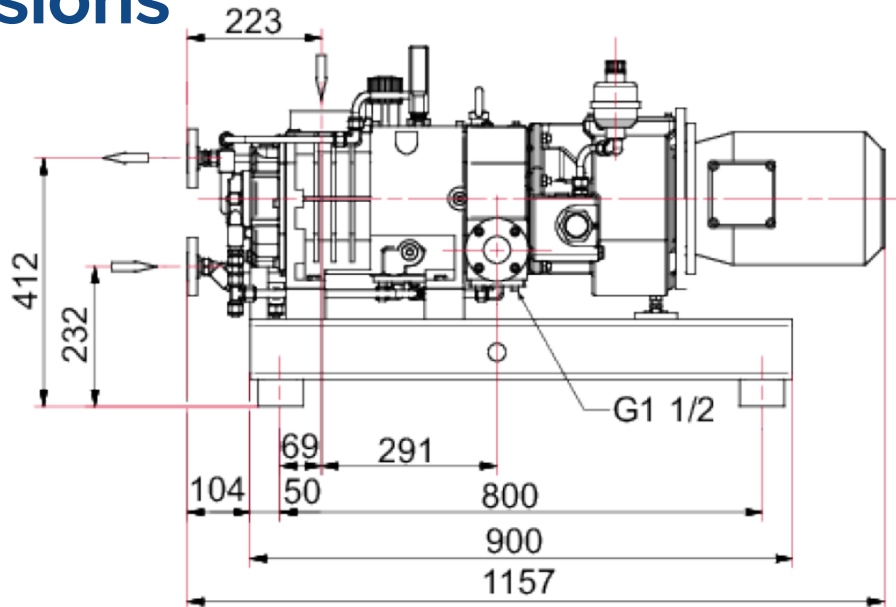
## SALES

PHONE: 831-462-8900

FAX: 831-462-3536

WWW.PROVAC.COM

## Pfeiffer Hepta 100P Dimensions





# PROVAC

## S A L E S

PHONE: 831-462-8900

FAX: 831-462-3536

WWW.PROVAC.COM

---

## Pfeiffer Hepta 100P Features & Benefits

- oil-free vacuum
- one-piece variable pitch rotors
- low stressing of bearings & seals
- ideal for use as single pumps or in combination of HiLobe Roots
- optimal ultimate pressure & broadest range of applications
- high pumping speed at atmospheric pressure reduces pump-down
- water cooled with temperature monitoring
- internal compression leads to saving energy costs
- direct gas flow & optimized temperature profile minimize deposits
- low energy consumption, low noise level
- highly process capable due to sealing gas, gas ballast & flushing gas

## Applications

- metallurgy • coating • freeze drying • load locks • electron beam welding • gas separation • superclean gas applications • degassing