



Pfeiffer Hena 631

Technical Specifications

Hena 631	
Ambient temperature	12-40 °C 53.6-104 °F 285-313 K
Cooling method, standard	Air
Dimensions (L x W x H)	1,684 x 915 x 663 mm 66.3 x 36.02 x 26.1 inch
Emission sound pressure level without gas ballast at 50 Hz	≤ 77 dB(A)
Emission sound pressure level without gas ballast at 60 Hz	≤ 79 dB(A)
Exhaust pressure, max.	Atmospheric pressure
Exhaust pressure, min.	Atmospheric pressure
Flange (in)	Female thread G 3"
Flange (out)	Female thread G 3"
Inert gas unit	No
Leak rate safety valve	≤ 8 · 10 ⁻³ Pa m ³ /s
Mains cable	No
Mains requirement: voltage (range)	±5 %
Mains requirement: voltage 50 Hz	190–200/220–230/380–400 V
Mains requirement: voltage 60 Hz	208/220/230/440/460 V
Motor protection	3TF
Motor version	3-ph motor
Nominal pumping speed at 50 Hz	630 m ³ /h
Nominal pumping speed at 60 Hz	760 m ³ /h
Operating fluid	P3
Operating fluid filling	15 l
Protection category	IP55
Rated power 50 Hz	15 kW
Rated power 60 Hz	18.5 kW
Rotation speed at 50 Hz	1,000 rpm 1,000 min ⁻¹
Rotation speed at 60 Hz	1,200 rpm 1,200 min ⁻¹
Sealing gas	false
Switch New	No
Ultimate pressure with gas ballast	≤ 7 · 10 ⁻¹ hPa ≤ 5.25 · 10 ⁻¹ Torr ≤ 7 · 10 ⁻¹ mbar
Ultimate pressure without gas ballast	≤ 3 · 10 ⁻¹ hPa ≤ 2.25 · 10 ⁻¹ Torr ≤ 3 · 10 ⁻¹ mbar
Water vapor capacity 50 Hz	18000 g/h
Water vapor capacity 60 Hz	22000 g/h
Water vapor tolerance at 50 Hz	40 hPa 30 Torr 40 mbar
Water vapor tolerance at 60 Hz	40 hPa 30 Torr 40 mbar
Weight	706 kg 1,556.45 lb



PROVAC

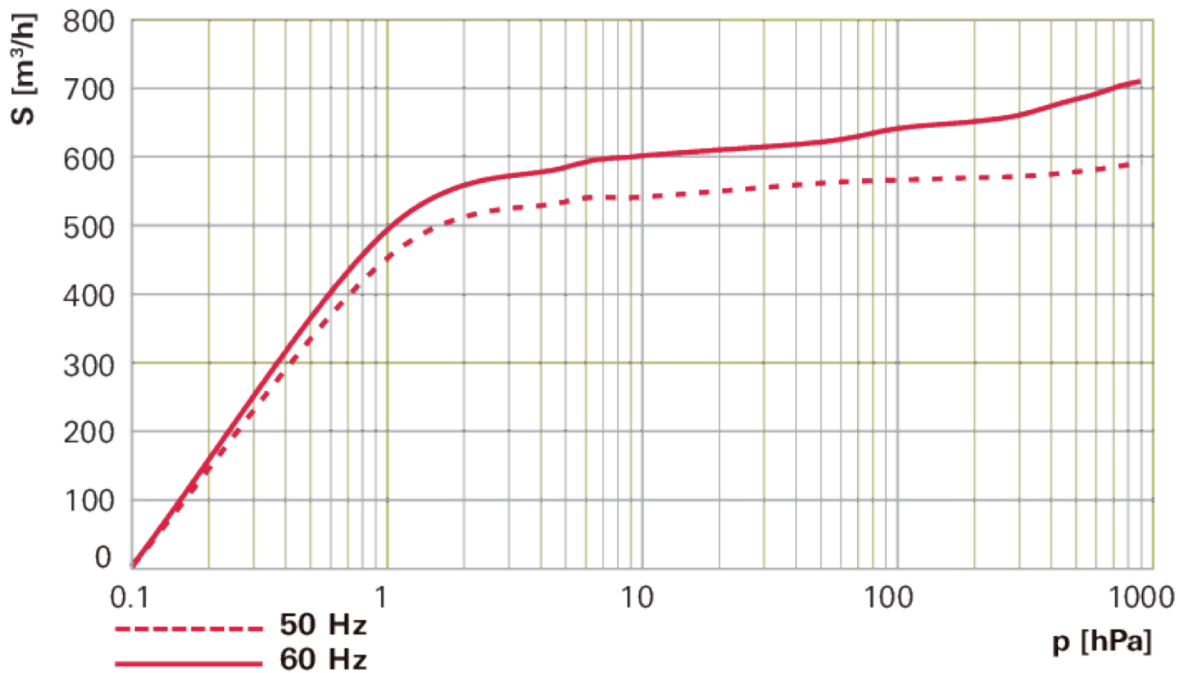
SALES

PHONE: 831-462-8900

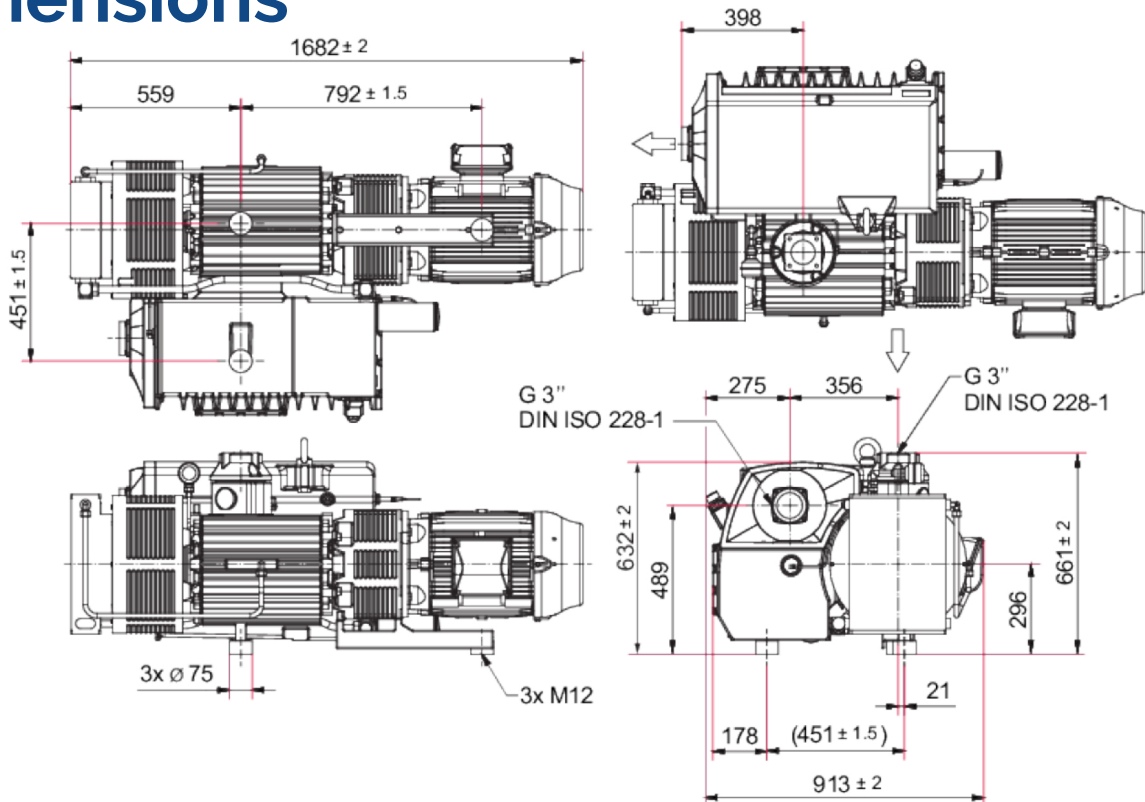
FAX: 831-462-3536

WWW.PROVAC.COM

Pfeiffer Hena 631 Pumping Curves



Dimensions





PROVAC

SALES

PHONE: 831-462-8900

FAX: 831-462-3536

WWW.PROVAC.COM

Pfeiffer Hena 631 Features & Benefits

- can operate as stand alone pump, or integrated into pumping stations
- integrated oil mist filter, oil return system & vacuum safety valve
- prevents pollution of ambient air & protects pump & system
- gas ballast valve enables water vapor to be pumped down
- special vane material for long service life

Applications

- electron beam welding • incandescent light bulb manufacturing
- surface coating • vacuum drying • leak detection • metallurgy
- gas recovery • load lock applications • simulation chambers

