



Leybold HY.Cone 200

Technical Specifications

HY.CONE TURBOVAC		60	60	200	200	TW 250	TW 250
High-vacuum connection	DN	63 ISO-K	63 CF	100 ISO-K	100 CF	100 ISO-K	100 CF
Pumping speed for N ₂	l·s ⁻¹	60	60	205	205	230	230
Ultimate pressure with two-stage, oil-sealed rotary vane pump	mbar	< 10 ⁻¹⁰	< 10 ⁻¹⁰	< 10 ⁻¹⁰	< 10 ⁻¹⁰	< 10 ⁻⁹	< 10 ⁻⁹
with diaphragm pump achieving ultimate pressure < 5 mbar	mbar	< 10 ⁻⁸	< 10 ⁻⁸	< 10 ⁻⁸	< 10 ⁻⁸	< 10 ⁻⁷	< 10 ⁻⁷
Max. permissible forevacuum pressure	mbar	10	10	10	10	4	4
Recommended forevacuum pumps							
• TRIVAC		D 1,2 E	D 1,2 E	D 2,5 E	D 2,5 E	D 5 E	D 5 E
• Diaphragm pump				on request			
with ultimate pressure < 5 mbar and pumping speed at 5 mbar	m ³ ·h ⁻¹	> 0,5	> 0,5	> 1	> 1	—	—
with ultimate pressure < 3 mbar and pumping speed at 3 mbar	m ³ ·h ⁻¹	—	—	—	—	> 2	> 2
• (at purge gas operation) TRIVAC		—	—	—	—	D 10 E	D 10 E
Recommended frequency converter	CONE.TROL	200	200	200	200	200	200
Operating speed	r.p.m.	72,000	72,000	51,600	51,600	51,600	51,600
Run-up time, approx.	min	2	2	3	3	3	3
Forevacuum connection	DN	16 KF	16 KF	16 KF	16 KF	16 KF	16 KF
Venting port	threads	M 5	M 5	M 5	M 5	M 5	M 5
Weight, approx.	kg	3	3	5	5	5	5
Max. bake-out temperature at CF flange	°C	—	100	—	100	—	100
Type of protection	IP	20	20	20	20	20	20



PROVAC

SALES

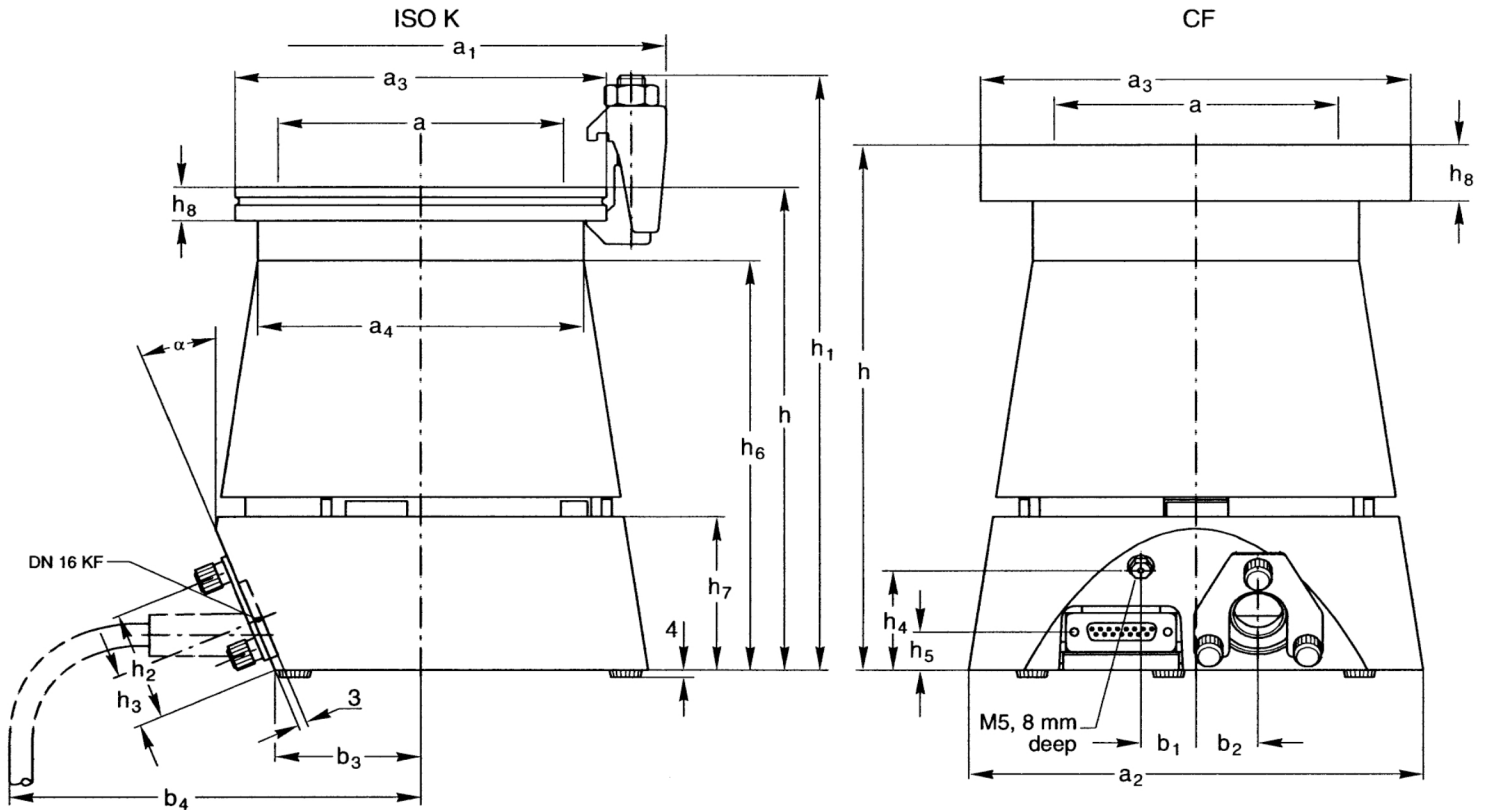
PHONE: 831-462-8900

FAX: 831-462-3536

WWW.PROVAC.COM

Leybold HY.Cone 200

Dimensions



	a	a ₁	a ₂	a ₃	a ₄	b ₁	b ₂	b ₃	b ₄	α
HY.CONE 60	DN 63 ISO-K	Ø 138	Ø 120.5	Ø 95	Ø 80	20	24	34	125	22°
HY.CONE 60	DN 63 CF	-	Ø 120.5	Ø 113.7	Ø 80	20	24	34	125	22°
HY.CONE 200	DN 100 ISO-K	Ø 171	Ø 160	Ø 130	Ø 116.5	20	22	52	145	22°
HY.CONE 200	DN 100 CF	-	Ø 160	Ø 151.5	Ø 116.5	20	22	52	145	22°
TW 250	DN 100 ISO-K	Ø 171	Ø 160	Ø 130	Ø 116.5	20	22	52	145	22°
TW 250	DN 100 CF	-	Ø 160	Ø 151.5	Ø 116.5	20	22	52	145	22°

	h	h ₁	h ₂	h ₃	h ₄	h ₅	h ₆	h ₇	h ₈
HY.CONE 60	135	173	40	20	36	13.5	116	55	12
HY.CONE 60	150	-	40	20	36	13.5	116	55	17.5
HY.CONE 200	175	211	40	20	37	14	152	56	12
HY.CONE 200	189	-	40	20	37	14	152	56	20
TW 250	175	211	40	20	37	14	152	56	12
TW 250	189	-	40	20	37	14	152	56	20



PROVAC

SALES

PHONE: 831-462-8900

FAX: 831-462-3536

WWW.PROVAC.COM

Leybold HY.Cone 200 Pumping Curves

