



PROVAC

SALES

PHONE: 831-462-8900

FAX: 831-462-3536

WWW.PROVAC.COM

Varian HS-402, HS-602, HS-652

Technical Specifications

		HS 402	HS 602	HS 652
Free air displacement	60 Hz l/min (cfm)	410 (14.5)	605 (21.4)	672 (23.8)
	50 Hz l/min (m ³ /h)	342 (20.5)	504 (30.2)	672 (40.3)
Pumping speed*	60 Hz (cfm)	12.3	17.6	19
	50 Hz (m ³ /h)	17.4	25	32
Ultimate partial pressure* (mbar)		10 ⁻⁴	10 ⁻⁴	10 ⁻⁴
Ultimate total pressure* (mbar)		2 x 10 ⁻³	2 x 10 ⁻³	2 x 10 ⁻³
Ultimate total pressure with gas ballast* (mbar)		1 x 10 ⁻²	1 x 10 ⁻²	1 x 10 ⁻²
Water vapor tolerance (mbar)		30	30	30
Water vapor capacity (g/h)		350	550	550
Oil capacity min/max (l)		0.5/1	0.5/1	0.5/1
Motor rating 1 ph	60 Hz (kW)	0.90	0.90	
	50 Hz (kW)	0.75	0.75	
Motor rating 3 ph	60 Hz (kW)	0.90	0.90	0.50
	50 Hz (kW)	0.75	0.75	
Nominal rotation speed	60 Hz (rpm)	1800	1800	2000
	50 Hz (rpm)	1500	1500	
Weight kg (lbs)		35 (77)	35 (77)	33 (73)
Inlet flange		25KF DN	25KF DN	25KF DN
Exhaust flange		25KF DN	25KF DN	25KF DN

*According to PNEUROP 6602



PROVAC

SALES

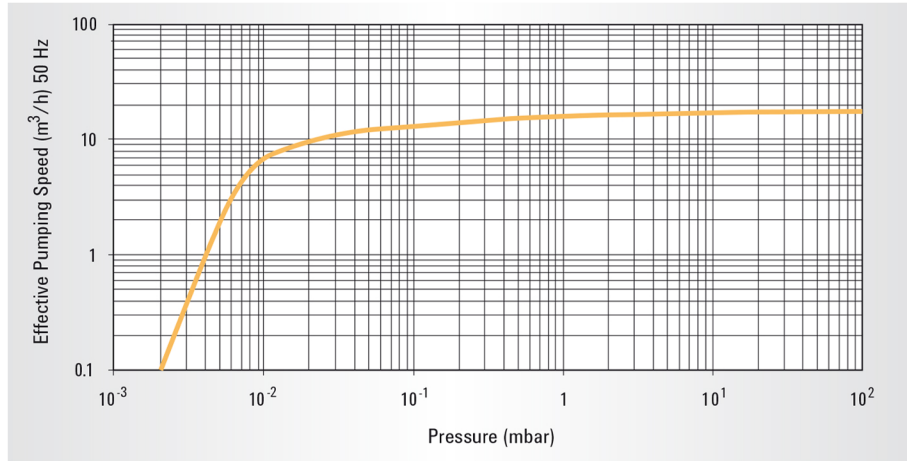
PHONE: 831-462-8900

FAX: 831-462-3536

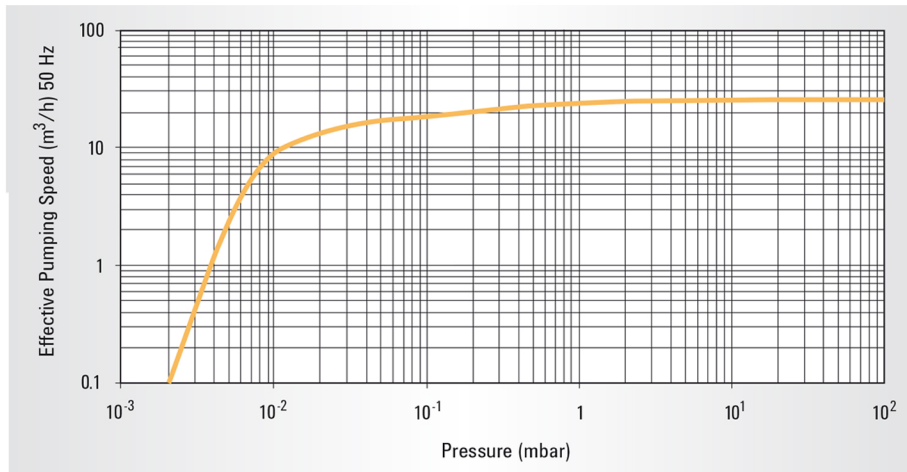
WWW.PROVAC.COM

Varian HS-402, HS-602, HS-652 Pumping Curves

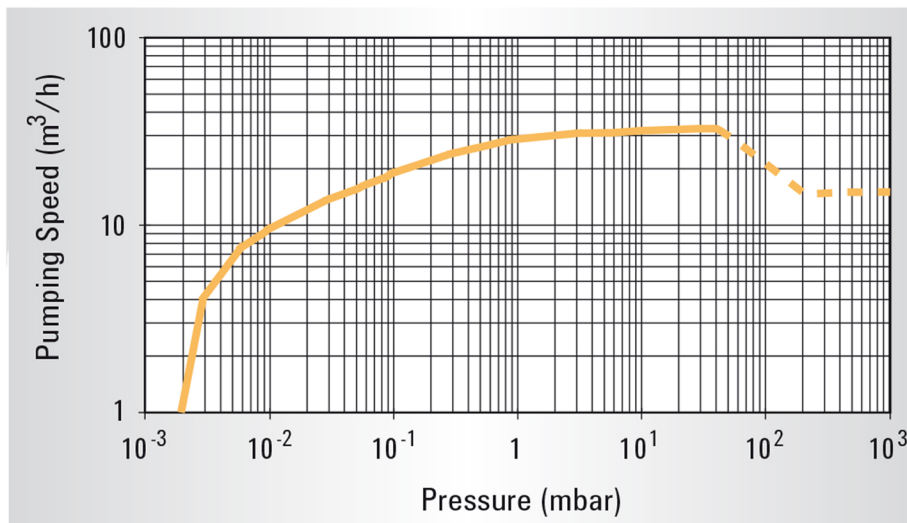
HS-402



HS-602



HS-652





PROVAC

SALES

PHONE: 831-462-8900

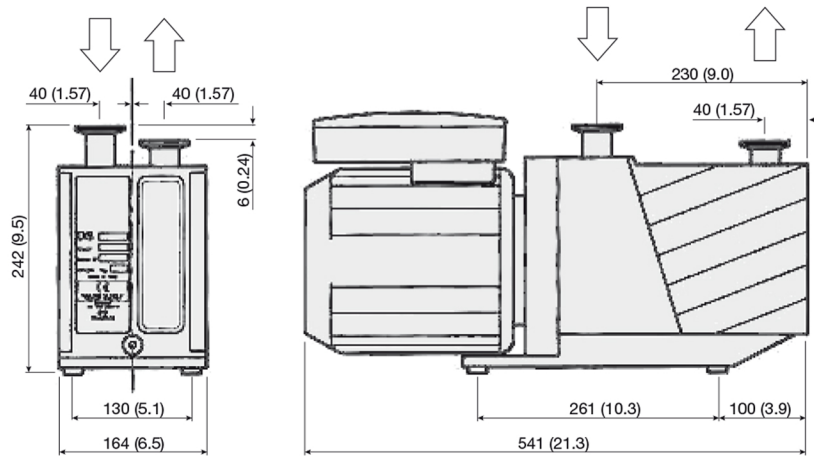
FAX: 831-462-3536

WWW.PROVAC.COM

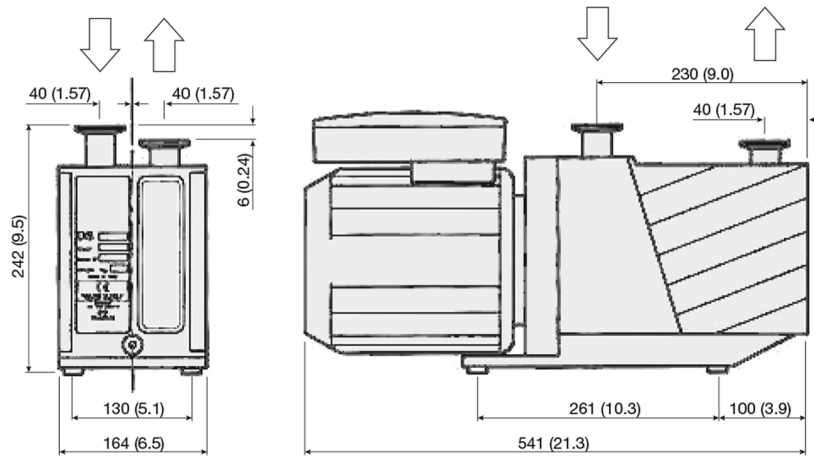
Varian HS-402, HS-602, HS-652

Dimensions

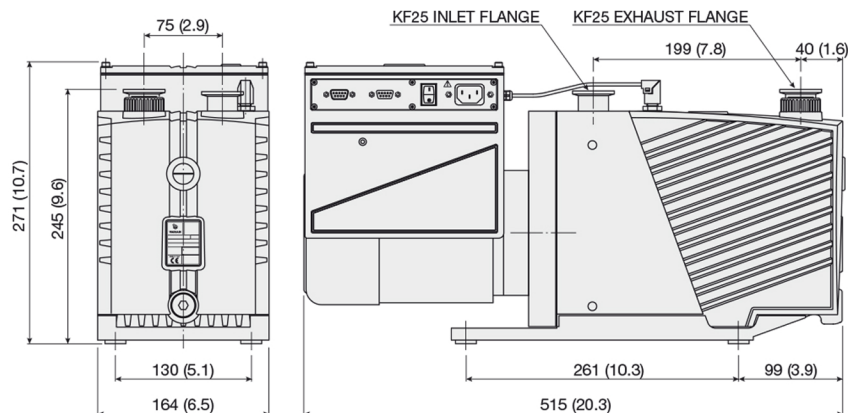
HS-402



HS-602



HS-652



Dimensions: millimeters (inches)



PROVAC

SALES

PHONE: 831-462-8900

FAX: 831-462-3536

WWW.PROVAC.COM

Varian HS-402, HS-602, HS-652

Features & Benefits

- anti-suckback valve and vent device
- forced oil circulation / air ventilation
- universal voltage and frequency
- large pumping capacity
- green technology
- built-in oil shield
- low power requirements



Applications

- analytical instruments • mass spectrometry • electron microscopes
- leak detection • industrial vacuum processes • high energy physics
- research laboratories