



Edwards GX Series

Technical Specifications

	GX	100	600	1000
Performance				
Peak speed	m ³ h ⁻¹	105	620	800
	cfm	62	365	471
	l min ⁻¹	1750	10333	13333
Ultimate pressure (typical)	mbar	5.00E ⁻⁰³	7.00E ⁻⁰⁴	1.00E ⁻⁰³
	torr	3.75E ⁻⁰³	5.25E ⁻⁰⁴	7.50E ⁻⁰⁴
	Pa	0.50	0.07	0.10
System power at ultimate ⁽¹⁾				
Ultimate	kW	1.0	1.6	1.6
Green Mode	kW	0.05	0.05	0.05
Water ⁽²⁾				
Water flow	slm	1.0	2.0	2.0
Nitrogen				
L Variant	slm	0	0	N/A
N Variant ⁽³⁾	slm	4 to 39	4 to 39	4 to 39
Installation details				
Footprint (excl. exhaust)	m ²	0.195	0.195	0.195
Weight	Kg	120	220	230
Inlet connection		ISO63	ISO100	ISO100
Outlet connection		NW25	NW25	NW25
Noise at ultimate	dB(A)	<60	<60	<60

(1) Average power at 700 T exhaust pressure

(2) Flow with optional Constant Flow Valve fitted

(3) Nitrogen purge can be manually adjusted to a maximum flow of 39 slm



PROVAC

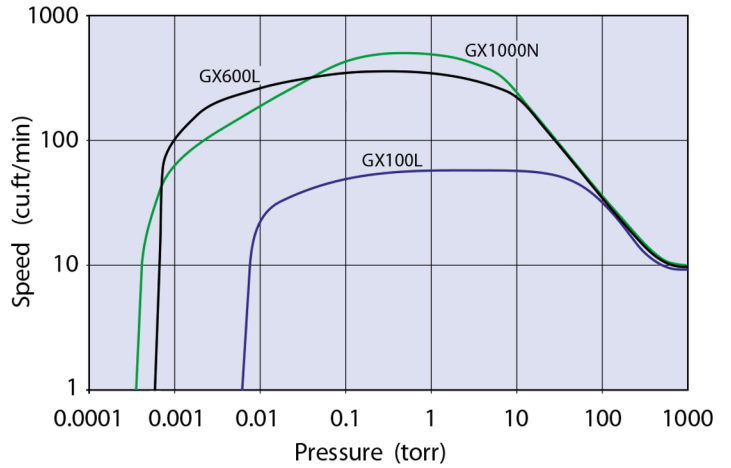
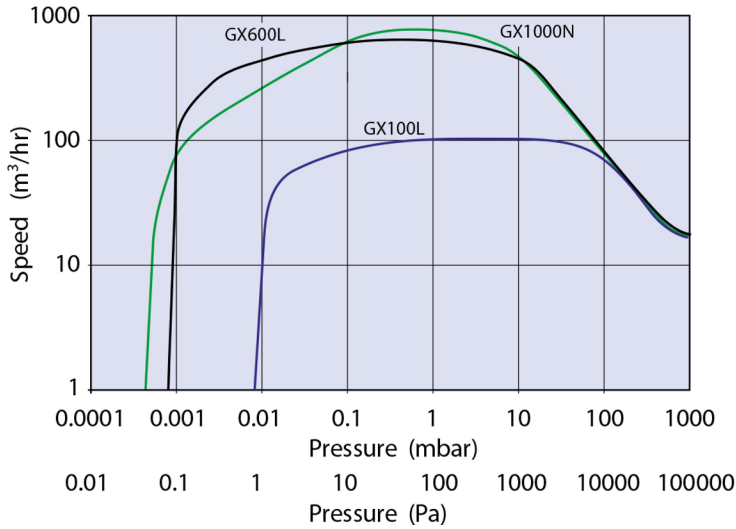
SALES

PHONE: 831-462-8900

FAX: 831-462-3536

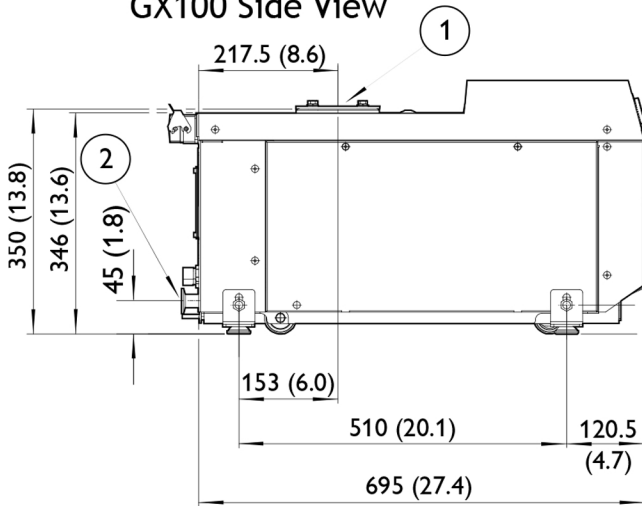
WWW.PROVAC.COM

Edwards GX Series Pumping Curves

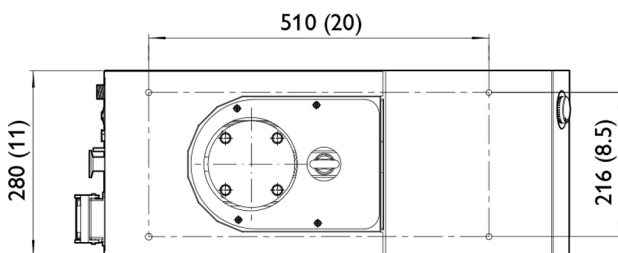


Dimensions

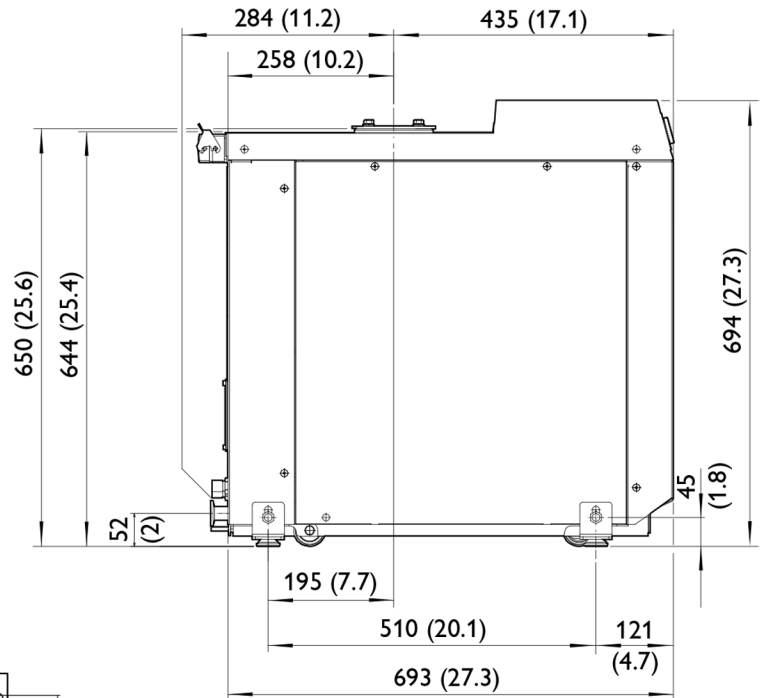
GX100 Side View



GX Top View



GX600, 1000 Side View



- 1 Inlet Flange
- 2 Exhaust Flange



PROVAC

SALES

PHONE: 831-462-8900

FAX: 831-462-3536

WWW.PROVAC.COM

Edwards GX Series Features & Benefits

- continuous pumping duty throughout the pressure range
- ethernet connectivity included, allowing key data to be viewed online
- comprehensive networking options
- modular design allows users to configure pump to suit individual needs
- compact footprint allows on-tool, remote, or close proximity installation
- pumping speed identical at 50Hz and 60Hz
- reduced cost of ownership
- zero preventative maintenance
- designed for energy efficiency
- precision ceramic bearings
- high efficient cooling

Applications

- load lock • transfer • metrology • lithography • PVD process & pre-clean
- RTA • stripping/ashing • oxide, silicon, metal etch • implant source
- clean applications

