



Edwards GVSP-30

Technical Specifications

Ultimate pressure Maximum inlet pressure Maximum outlet pressure Leak tightness Displacement (swept volume) 50 Hz electrical supply 60 Hz electrical supply Pumping speed Peak pumping speed 50 Hz electrical supply 60 Hz electrical supply	1×10^{-2} mbar, 1 Pa 1000 mbar, 1×10^5 Pa, 0 psig 1150 mbar, 1.15×10^5 Pa, 2 psig $< 1 \times 10^{-4}$ mbar l s ⁻¹ , 1×10^{-2} Pa l s ⁻¹ $29.5 \text{ m}^3 \text{ h}^{-1}$ (17.4 cfm) $35.1 \text{ m}^3 \text{ h}^{-1}$ (20.7 cfm) See Figure 3 and Figure 4 $25 \text{ m}^3 \text{ h}^{-1}$ (14.7 cfm) $30 \text{ m}^3 \text{ h}^{-1}$ (17.6 cfm)
Mass 1-phase pump 3-phase pump Inlet connection Outlet connection Gas-ballast inlet connection	44 kg 38 kg NW40 NW25 $\frac{1}{8}$ inch BSP
Maximum gas supply pressure Nominal gas flow rate	0.5 bar gauge, 1.5×10^5 Pa 10 slm
Noise level (at 1 m from the pump, measured in an anechoic room) 1-phase pump 3-phase pump Vibration velocity (at the inlet flange)	< 62 dB(A) < 60 dB(A) $< 1.5 \text{ mm s}^{-1}$

	Electrical supply voltage			
	100	115	200	230
Full load current rating: A				
50 Hz	8.5	-	4.3	3.9
60 Hz	10.0	8.6	4.8	4.0
Motor rotational speed: r min ⁻¹				
50 Hz	1430	-	1430	1450
60 Hz	1660	1720	1690	1730

Electrical data: 1-phase pumps



PROVAC

SALES

PHONE: 831-462-8900

FAX: 831-462-3536

WWW.PROVAC.COM

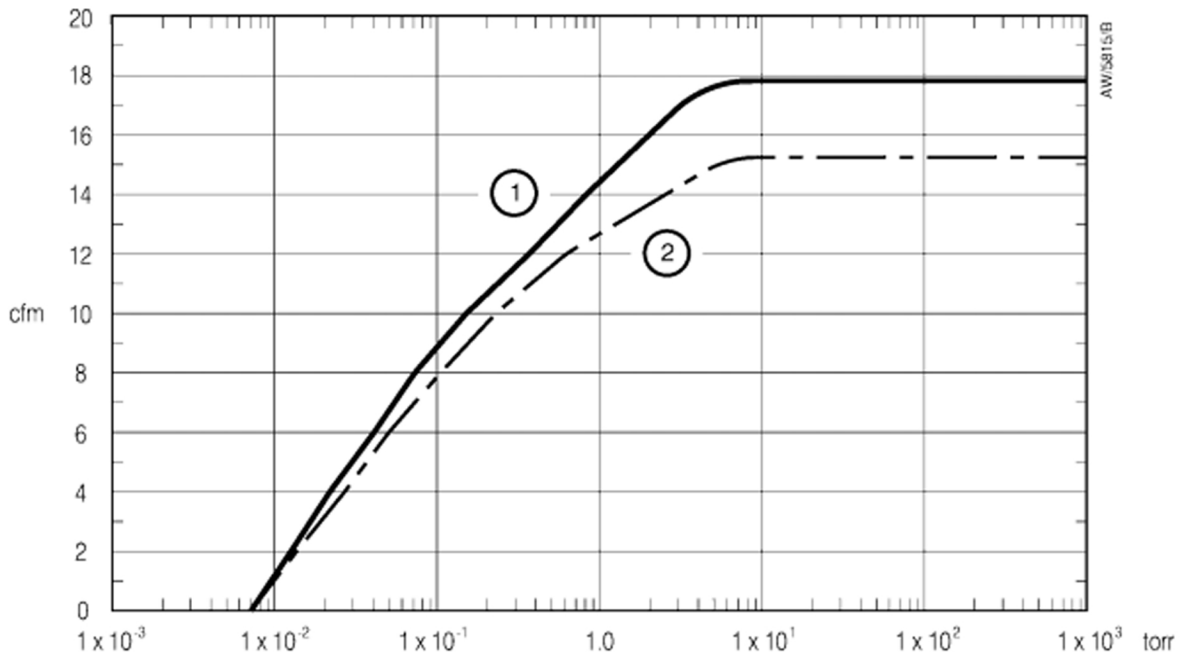
Edwards GVSP-30

Technical Specifications cont.

	Electrical supply voltage					
	200	208	230	380	415	460
Full load current rating: A						
50 Hz	2.7	-	-	1.57	1.63	-
60 Hz	2.8	2.6	2.5	-	-	1.47
Motor rotational speed: r min ⁻¹						
50 Hz	1460	-	-	1470	1470	-
60 Hz	1740	1740	1760	-	-	1770

Electrical data: 3-phase pumps

Pumping Speed



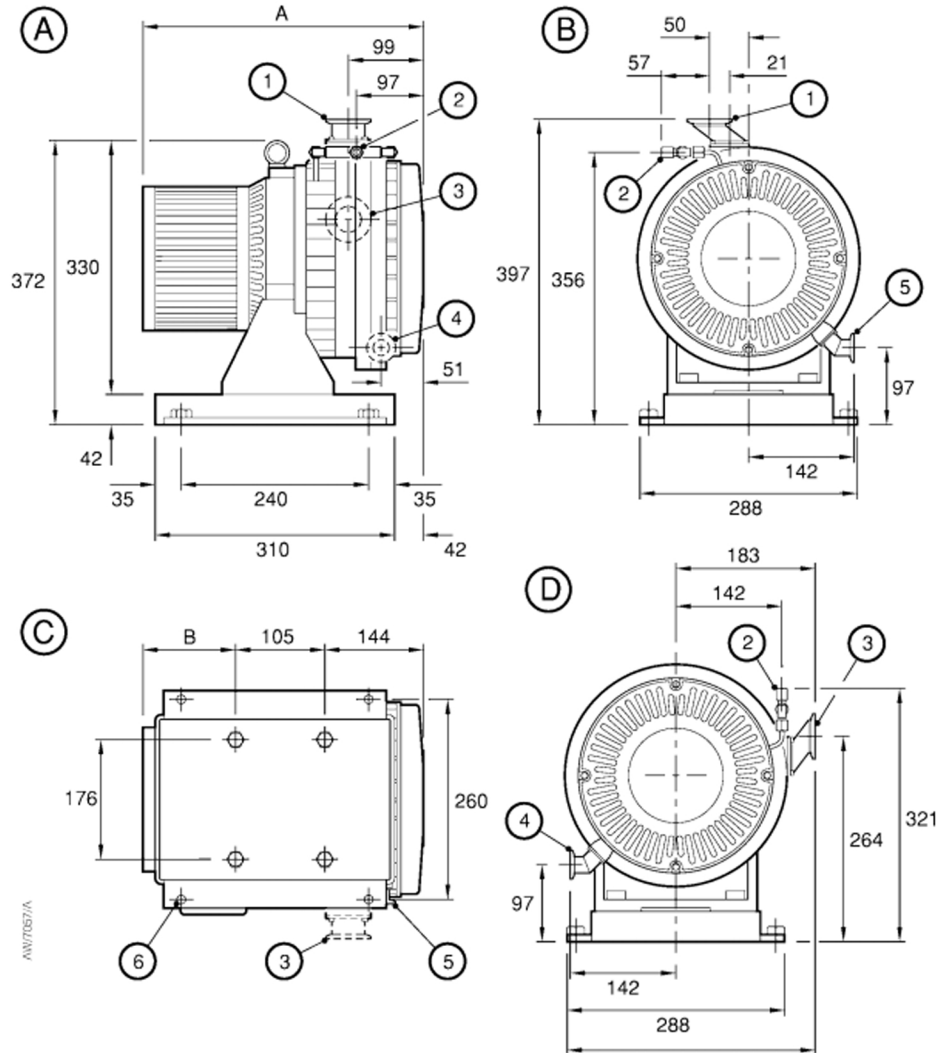
- 1. 60 Hz
- 2. 50 Hz

Pumping speed/pressure graph (cfm)



Edwards GVSP-30

Dimensions



A Side view

B Front view (inlet/
outlet as supplied)

C Bottom view

D Front view (alternative
inlet/outletpositions)

1. Inlet-port

2. Gas-ballast inlet

3. Alternative inlet-port position

4. Alternative outlet-port position

5. Outlet-port

6. M8 mounting holes (4 off)

Pump	A	B
1-phase	443	194
3-phase	372	123

Pump dimensions (mm): 3-phase pump shown