



Atlas Copco GVD 3, GVD 5

Technical Specifications

	GVD 3		GVD 5	
	50 Hz	60 Hz	50 Hz	60 Hz
Displacement	3.7 m ³ h ⁻¹ / 2.2 cfm	4.5 m ³ h ⁻¹ / 2.6 cfm	5.8 m ³ h ⁻¹ / 3.4 cfm	7.0 m ³ h ⁻¹ / 4.1 cfm
Speed (Pneurop 6602)	3.3 m ³ h ⁻¹ / 2 cfm	3.9 m ³ h ⁻¹ / 2.3 cfm	5.1 m ³ h ⁻¹ / 3.0 cfm	6.2 m ³ h ⁻¹ / 3.7 cfm
Ultimate vacuum (total pressure) without gas ballast	2.0 x 10 ⁻³ mbar / 1.5 x 10 ⁻³ Torr		2.0 x 10 ⁻³ mbar / 1.5 x 10 ⁻³ Torr	
Ultimate vacuum (total pressure) with gas ballast in position 2	1.2 x 10 ⁻¹ mbar / 9.1 x 10 ⁻² Torr		1.0 x 10 ⁻¹ mbar / 7.5 x 10 ⁻² Torr	
Inlet connection	DN25 ISO-KF		DN25 ISO-KF	
Outlet connection	DN25 ISO-KF		DN25 ISO-KF	
Max. outlet pressure	0.2 bar / 3 psig gauge		0.2 bar / 3 psig gauge	
Max. inlet pressure for water vapor	80 mbar / 60 Torr		50 mbar / 38 Torr	
Max. water vapor pumping rate	60 gh ⁻¹		60 gh ⁻¹	
Weight (without oil)	25 kg / 55 lb		25 kg / 55 lb	
Motor power	450 W	550 W	450 W	550 W
Power connector 1-ph*	IEC EN60320 C13		IEC EN60320 C13	
Maximum oil capacity	0.7 litre		0.7 litre	
Minimum oil capacity	0.42 litre		0.42 litre	
Noise level	48 dB(A) @ 50 Hz		48 dB(A) @ 50 Hz	

* 2m long 1-phase cable to be ordered separately. 3-phase motors connect directly to terminal box.





PROVAC

SALES

PHONE: 831-462-8900

FAX: 831-462-3536

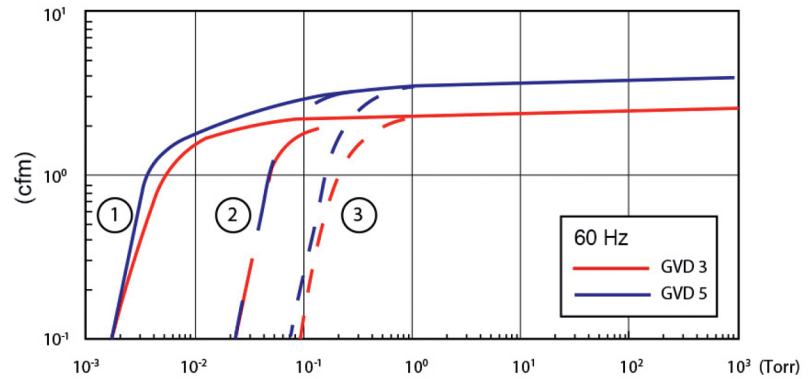
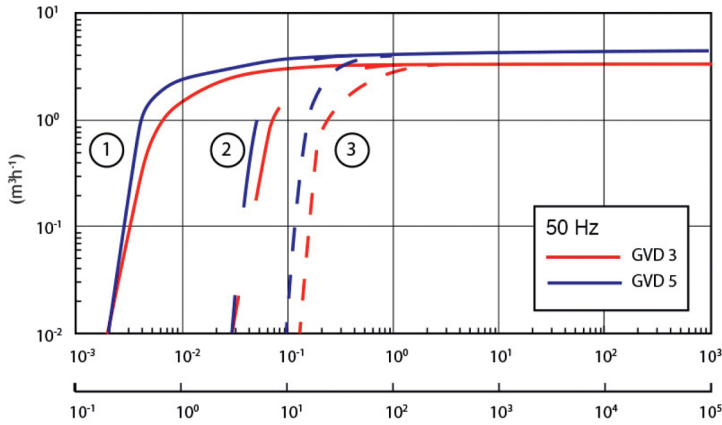
WWW.PROVAC.COM

Atlas Copco GVD 3, GVD 5 Pumping Curves

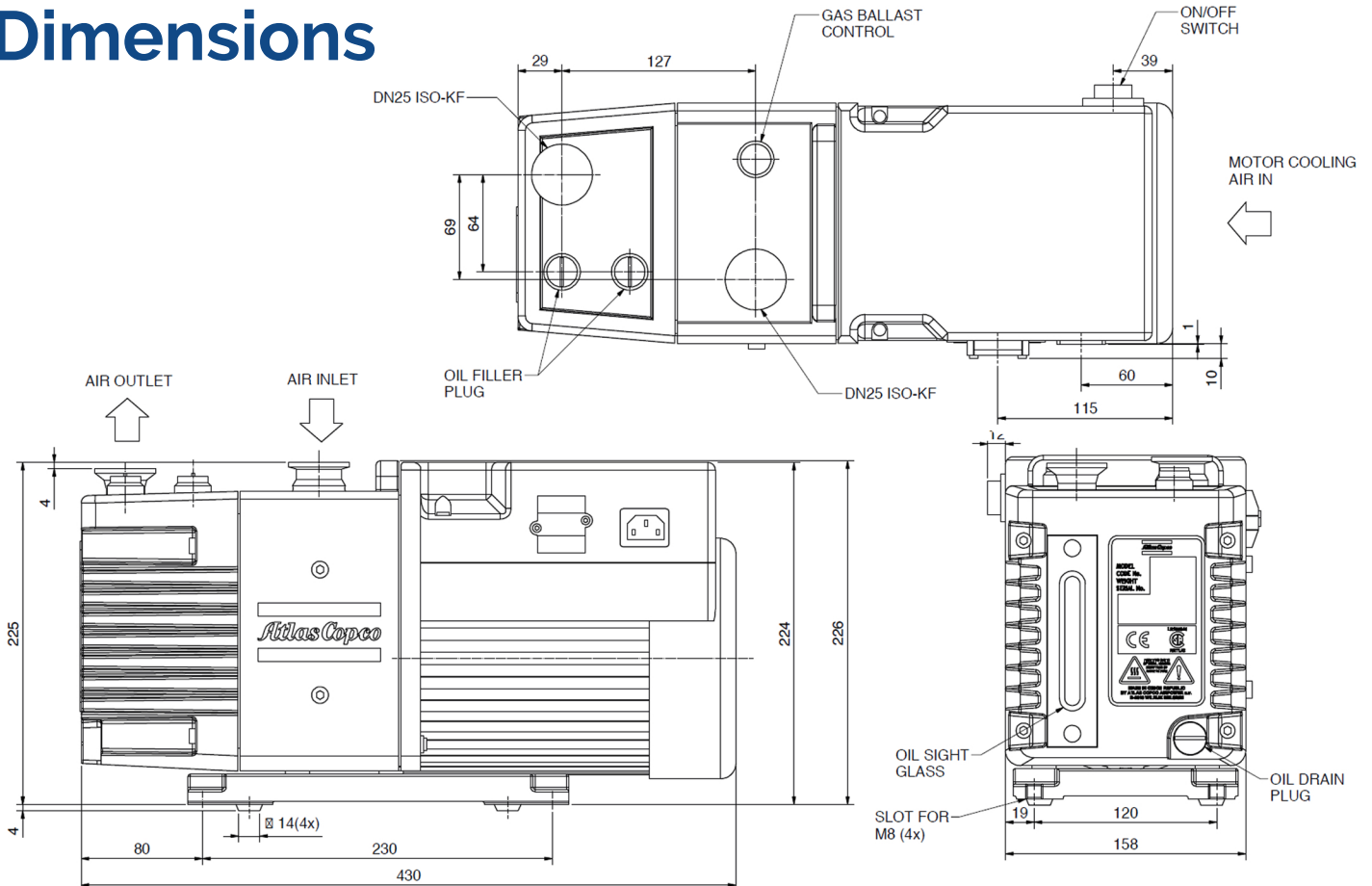
50Hz

1: Without gas ballast.
2: With gas ballast open.

60Hz



Dimensions





PROVAC

SALES

PHONE: 831-462-8900

FAX: 831-462-3536

WWW.PROVAC.COM

Atlas Copco GVD 3, GVD 5

Features & Benefits

- intrusive frequencies minimized
- dual mode suitable for high throughput & high vacuum applications
- easy to use gas ballast
- fast acting inlet valve for system protection
- high torque, dual voltage/frequency motor
- electronic start relay
- efficient high pressure lubrication
- oil-tight with printed gaskets & effective shaft seals
- clamped-in sight glass
- oil box well contains filling spills
- hi-tech polymer blade. large diameter, easy-clean oil passages
- consistent, built-in quality, cast bar construction

Applications

- analytical instruments • centrifuges, ultra-high speed • coating
- degassing/curing - oil, epoxy resin • distillation/extraction/filtration
- freeze drying • furnaces • gas bottle filling/emptying • gel drying
- glove boxes, ovens • laboratory bench top vacuum • helium leak detectors • load locks & transfer chambers • refrigeration manufacture
- research & development • rotary, centrifugal evaporators • scanning electron microscopes - SEM • SEM/FIB (ion beam repair) • surface science instruments • turbo backing pumps