



Atlas Copco GVD 18, GVD 28

Technical Specifications

| | GVD 18 | | GVD 28 | |
|--|---|--|---|--|
| | 50 Hz | 60 Hz | 50 Hz | 60 Hz |
| Displacement | 20.5 m ³ h ⁻¹ / 12.1 cfm | 25.0 m ³ h ⁻¹ / 14.7 cfm | 32.2 m ³ h ⁻¹ / 19.0 cfm | 38.9 m ³ h ⁻¹ / 22.3 cfm |
| Speed (Pneurop 6602) | 170 m ³ h ⁻¹ / 10.0 cfm | 20.4 m ³ h ⁻¹ / 12.1 cfm | 275 m ³ h ⁻¹ / 16.2 cfm | 33.0 m ³ h ⁻¹ / 19.5 cfm |
| Ultimate vacuum (total pressure) without gas ballast | 1.0 x 10 ⁻³ mbar / 7.7 x 10 ⁻⁴ Torr | | 1.0 x 10 ⁻³ mbar / 7.7 x 10 ⁻⁴ Torr | |
| Ultimate vacuum (total pressure) with gas ballast | 1.5 x 10 ⁻² mbar / 1.1 x 10 ⁻² Torr | | 1.5 x 10 ⁻² mbar / 1.1 x 10 ⁻² Torr | |
| Inlet connection | DN25 ISO-KF | | DN25 ISO-KF | |
| Outlet connection | DN25 ISO-KF | | DN25 ISO-KF | |
| Max. outlet pressure | 0.5 bar / 7 psig gauge | | 0.5 bar / 7 psig gauge | |
| Max. inlet pressure for water vapor | 20 mbar / 15 Torr | | 30 mbar / 23 Torr | |
| Max. water vapor pumping rate | 300 gh ⁻¹ | | 700 gh ⁻¹ | |
| Weight (without oil) | 39 kg / 86 lb | | 44 kg / 97 lb | |
| Motor power | 750W | 900W | 750W | 900W |
| Power connector 1-ph* | IEC EN60320 C19 | | IEC EN60320 C19 | |
| Maximum oil capacity | 1.05 litre | | 1.5 litre | |
| Minimum oil capacity | 0.75 litre | | 1.2 litre | |
| Noise level | 57 dB(A) @ 50 Hz | | 57 dB(A) @ 50 Hz | |

* 2m long 1-phase cable to be ordered separately. 3-phase motors connect directly to terminal box.





PROVAC

SALES

PHONE: 831-462-8900

FAX: 831-462-3536

WWW.PROVAC.COM

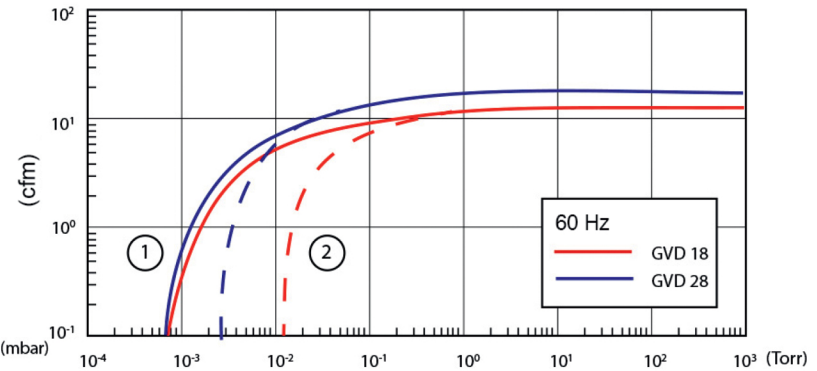
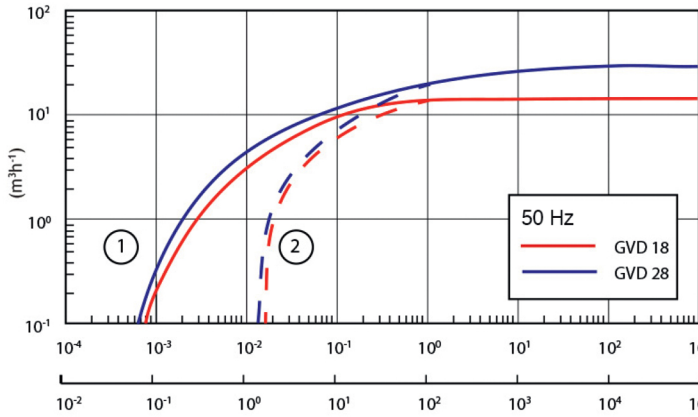
Atlas Copco GVD 18, GVD 28

Pumping Curves

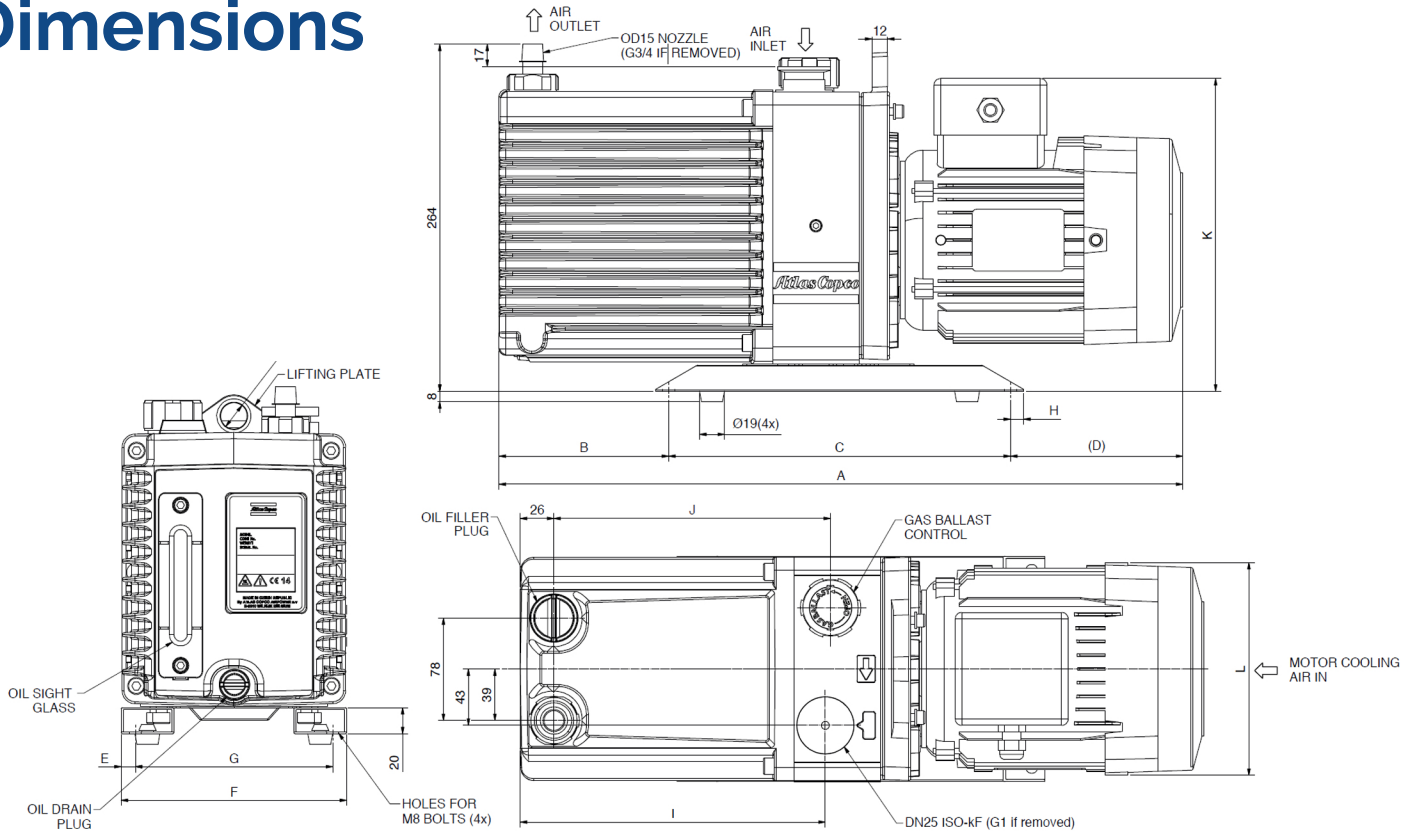
50Hz

1: Without gas ballast.
2: With gas ballast open.

60Hz



Dimensions



| MODEL | A | B | C | D | E | F | G | H | I | J | K | L |
|-------------|-----|-----|-----|-----|----|-----|-----|----|-----|-----|-----|-----|
| GVD 18 1-ph | 550 | 129 | 260 | 131 | 11 | 171 | 150 | 10 | 232 | 210 | 272 | 183 |
| GVD 18 3-ph | 50 | 129 | 260 | 131 | 11 | 171 | 150 | 10 | 232 | 210 | 238 | 162 |
| GVD 28 1-ph | 570 | 111 | 347 | 126 | 20 | 160 | 120 | 13 | 266 | 244 | 272 | 183 |
| GVD 28 3-ph | 570 | 111 | 347 | 126 | 20 | 160 | 120 | 13 | 266 | 244 | 238 | 162 |



PROVAC

SALES

PHONE: 831-462-8900

FAX: 831-462-3536

WWW.PROVAC.COM

Atlas Copco GVD 18, GVD 28

Features & Benefits

- reliable, long-term operation
- thermal overload device prevents overheating (single phase)
- free-standing unit
- flexible coupling provides drive
- totally enclosed motor
- easy to use controls
- pressure die cast oil box with integral oil seals
- gas ballast valve for large water vapor handling capacity
- oil distribution valve
- pumping chambers are air tight

Applications

- analytical instruments • centrifuges, ultra-high speed • coating
- degassing/curing - oil, epoxy resin • distillation/extraction/filtration
- freeze drying • furnaces • gas bottle filling/emptying • gel drying
- glove boxes, ovens • laboratory bench top vacuum • helium leak detectors • load locks & transfer chambers • refrigeration manufacture
- research & development • rotary, centrifugal evaporators • scanning electron microscopes - SEM • SEM/FIB (ion beam repair) • surface science instruments • turbo backing pumps