



PROVAC

SALES

PHONE: 831-462-8900

FAX: 831-462-3536

WWW.PROVAC.COM

MD Pneumatics Equalizer RM

Technical Specifications

MODEL	MAXIMUM RPM	MAX PRESSURE DIFFERENTIAL psi / mbar	MAX VACUUM in. Hg / mbar	MAXIMUM TEMPERATURE RISE °F / °C	MAWP psi / bar	APPROX WEIGHT LBS. / KG
4504	4000	18 / 1241	16 / 542	290 / 161	20 / 1379	270 / 122
4506	4000	18 / 1241	16 / 542	265 / 147	20 / 1379	310 / 141
4509	4000	18 / 1241	16 / 542	260 / 144	20 / 1379	350 / 159
4512	4000	15 / 1034	16 / 542	255 / 142	20 / 1379	390 / 177
4604	4000	18 / 1241	16 / 542	290 / 161	20 / 1379	210 / 95
4606	4000	18 / 1241	16 / 542	265 / 147	20 / 1379	245 / 111
4609	4000	18 / 1241	16 / 542	260 / 144	20 / 1379	280 / 127
4612	4000	15 / 1034	16 / 542	255 / 142	20 / 1379	320 / 145
6012	3000	15 / 1034	16 / 542	280 / 156	20 / 1379	590 / 268
6016	3000	15 / 1034	16 / 542	280 / 156	20 / 1379	650 / 295
6024	3000	10 / 690	16 / 542	230 / 128	20 / 1379	775 / 352





PROVAC

SALES

PHONE: 831-462-8900

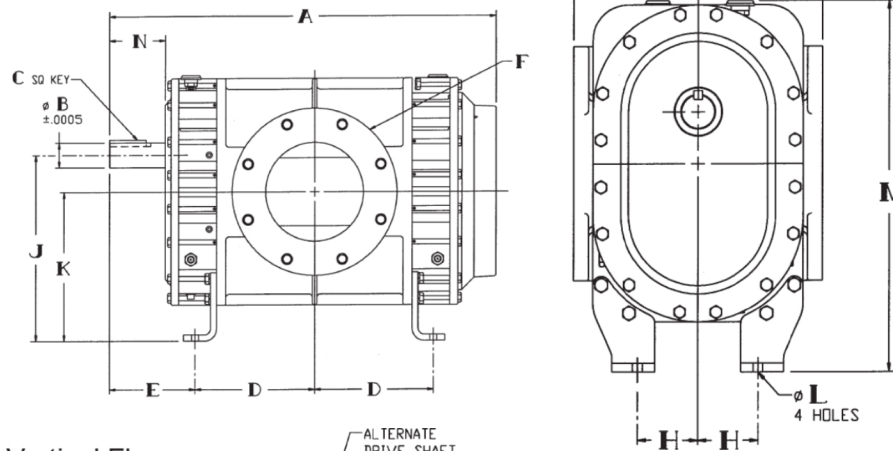
FAX: 831-462-3536

WWW.PROVAC.COM

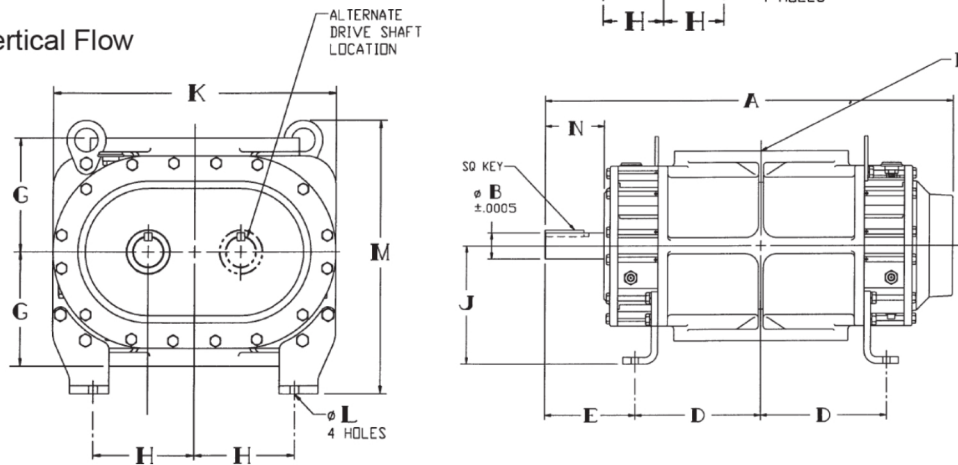
MD Pneumatics Equalizer RM

Dimensions

Horizontal Flow



Vertical Flow



Model	Series	A	B	C	D	E	F	G	H	J	K	L	M	N
4606	17 46	20.00	1.500	.375	4.75	5.69	4" NPT	6.00	2.50 4.75	11.30 7.50	9.00 14.25	.438	16.62 13.50	3.69
4609	17 46	23.00	1.500	.375	6.25	5.69	4" NPT	5.50	2.50 4.75	11.30 7.50	9.00 14.25	.438	16.62 13.00	3.69
4612	17 46	26.00	1.500	.375	7.75	5.69	6" FLG	5.50	2.50 4.75	11.30 7.50	9.00 14.25	.438	16.62 13.00	3.69
6012	17 46	27.63	1.562	.375	7.31	7.44	8" FLG	9.00	4.00 6.00	15.00 9.00	12.00 18.25	.750	23.37 17.37	4.56
6016	17 46	31.63	2.000	.500	9.75	7.00	8" FLG	7.25	3.50 6.50	15.00 9.00	12.00 18.25	.562	23.37 17.37	4.56
6024	17 46	39.63	2.000	.500	13.75	7.00	10" FLG	7.25	3.50 6.50	15.00 9.00	12.00 18.25	.562	23.37 17.37	4.56



PROVAC

SALES

PHONE: 831-462-8900

FAX: 831-462-3536

WWW.PROVAC.COM

MD Pneumatics Equalizer RM

Features & Benefits

- higher pressure capability
- true, drop-in replacement capability
- compact design
- bi-directional rotation
- timed with precision helical gears, keyed to the rotor shafts
- rotors with integral shafts
- one piece housing
- flow configuration can be converted from horizontal to vertical

Applications

- carpet cleaning • dairy milking • compost aeration • dust collection
- mobile vacuum waste removal