



Operation and Maintenance Manual

Spectron 600 Portable Leak Detector

Spectron 600T	230V, 50Hz	DI55-01-000
Spectron 600T	115V, 60Hz	DI55-02-000
Spectron 600D	230V, 50Hz	DI55-03-000
Spectron 600D	115V, 60Hz	DI55-04-000
Spectron 600DS	230V, 50Hz	DI55-05-000
Spectron 600DS	115V, 60Hz	DI55-06-000

For Sales And Service Please Call

Provac Sales, Inc

Tel: 831-462-8900

Fax: 831-462-3536

www.provac.com



 **EDWARDS**



SPECTRON 600

PORTABLE AUTOMATIC
LEAK DETECTORS

OPERATIONS AND
MAINTENANCE MANUAL

 **EDWARDS**

Edwards High Vacuum International is part of BOC Ltd. The stripe symbol is a trademark of the BOC Group
Part No. D155-01-880 (Rev C)

Declaration of Conformity

We, Edwards High Vacuum International,
Manor Royal,
Crawley,
West Sussex RH10 2LW, UK

declare under our sole responsibility that the product(s)

D15501000	Spectron 600T, 230V, 50Hz
D15502000	Spectron 600T, 115V, 60Hz
D15503000	Spectron 600D, 230V, 50Hz
D15504000	Spectron 600D, 115V, 60Hz
D15505000	Spectron 600DS, 230V, 50Hz
D15506000	Spectron 600DS, 115V, 60Hz
D15501510	Hand Held Remote
D15501540	External Roughing Kit


to which this declaration relates is in conformity with the following standard(s)
or other normative document(s)

EN61010-1:1993/A2 Safety Requirements for Electrical Equipment for
Measurement, Control and Laboratory use.

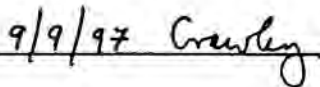
EN50081-2 Electromagnetic Compatibility, General Emission Standard.
Generic Standard Class: Industrial Environment.
EN50082-2 Electromagnetic Compatibility, General Immunity
Standard.
Generic Standard Class: Industrial Environment.

following the provisions of

73 / 023 / EEC Low Voltage Directive.
89 / 336 / EEC Electromagnetic Compatibility Directive.



Dr. A.P. Troup, Director of Technology



Date and Place

 **EDWARDS**

Table Of Contents

Section 1: General Information

1.1	Introduction	1-1
1.2	Unpacking & Inspection	1-3
1.3	Installation	1-7
1.4	Features & Specifications	1-8
1.5	General Description	1-11
1.6	Disposal	1-14

Section 2: Operating the Spectron 600

2.1	Introduction	2-1
2.2	Operator Controls & Indicators	2-3
2.3	Starting the Spectron 600 Leak Detector	2-19
2.4	Leak Testing	2-20
2.5	Operation With an External Pump	2-22
2.6	Sniff Testing	2-23
2.7	High Sensitivity Power Sniff Testing	2-24
2.8	Shut Down Procedure	2-25
2.9	Setting Test Parameters	2-25
2.10	Setting Additional Parameters	2-31
2.11	Test Aids & Procedures	2-32

Section 3: Theory of Operation

3.1	Introduction	3-1
3.2	Direct Flow & Reverse Flow Modes.	3-4
3.3	Functional Description of Operation	3-6
3.4	Description of Major Components	3-11

Section 4: Service & Maintenance

4.1	Introduction	4-1
4.2	Service Mode	4-2
4.3	Calibration & Tuning	4-4

4.5	Contamination of the Vacuum System	4-11
4.6	Venting the Vacuum System	4-14
4.7	Cleaning Requirements	4-15
4.8	Calibration Requirements	4-23
4.9	General Service & Repair	4-26
4.10	Troubleshooting Aids	4-36

Section 5: Parts List

5.1	Introduction	5-1
5.2	Recommended Spare Parts for the Spectron 600	5-2
5.3	Optional Accessories	5-4
5.4	Other Components	5-6

Appendix A:

Glossary of Terms Used in Leak Detection

Appendix B:

A.V.S. Standards for Testing of Mass Spectrometer Leak Detectors

Appendix C:

Leakage Conversion Factors

Appendix D:

Remote Port Specifications

Appendix E:

Profile and Revision Switch Positions

Appendix F:

Spectron 600 Quick Reference

Appendix G:

Spectron 600D Manual Addendum

G.1	General Information	g-i
G.2	Operating the Spectron 600D	g-ix
G.3	Service and Maintenance	g-xx
G.4	Parts	g-xxv

CHAPTER ONE

General Information

1.1 Introduction

This Operations & Maintenance Manual describes in detail the information needed to understand the operation and functions of the Edwards Spectron 600 Fully Automatic Portable Leak Detector (illustrated in Figure 1-1), and provides the information needed to service and maintain the unit in optimal working condition. This manual has been divided into five chapters:

- Chapter 1 General Information
- Chapter 2 Operating the Spectron 600
- Chapter 3 Theory of Operation
- Chapter 4 Service & Maintenance
- Chapter 5 Parts Lists

Chapter 1, General Information, describes the features of the Spectron 600 Leak Detector, its basic operation, unpacking and inspection of the unit, installation requirements as well as specifications for the unit.

Chapter 2, Operating the Spectron 600, details the controls necessary to operate the Spectron 600, both during normal operation of the unit as well as when placed in its Service Mode. All external connectors and their applicability to the unit and its functions are also discussed. This chapter also includes an explanation of what occurs during the unit's start-up procedure, a description of the leak test modes, an explanation of sniff testing procedures, a step-by-step description of how to perform actual leak testing, operations involving the optional external pump, an explanation of what occurs during the unit's shutdown procedure, the setting of the unit's testing parameters, and Spectron 600 self-testing procedures.

Chapter 3, Theory of Operation, has been included in order to give the Spectron 600 user information on how the unit functions. Maintenance personnel servicing the unit will find this most useful, since a thorough technical understanding of how the unit operates is critical when performing the repairs and service discussed in the following chapter.

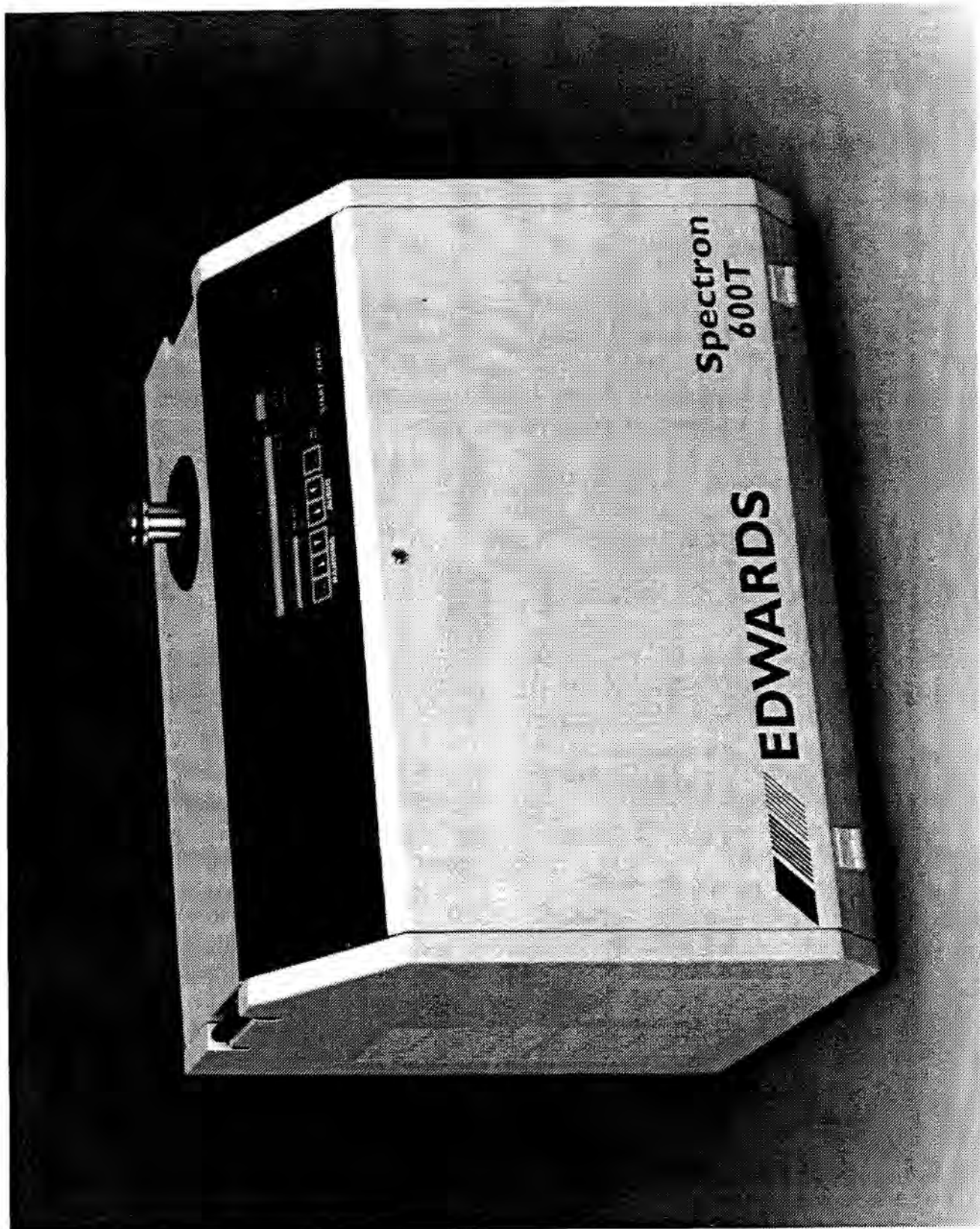


Figure 1-1
Edwards Spectron 600 Portable Automatic Leak Detector

Chapter 4, Service & Maintenance, describes in further detail the unit's Service Mode, the necessary tuning/calibration procedures for the Spectron 600, required periodic service procedures and recommended service intervals, detection and correction of contamination within the vacuum system, procedures for venting the vacuum system, cleaning requirements and procedures, calibration of measurement components, valve block service and repair, repair or replacement of the unit's electronics and a full listing of front panel error codes, their probable causes and our recommended corrective actions.

Chapter 5, Spectron 600 Parts Lists, contains a full list of recommended spare parts and a complete listing of the spare parts available from Edwards.

This manual provides the specific documentation needed to operate and service the Spectron 600 Leak Detector. The Spectron 600 System is a highly technical system that incorporates many sophisticated technologies. In view of this, every effort has been made to automate both the unit's operation and maintenance procedures. It is imperative, however, that operations and service personnel familiarize themselves with the operations and maintenance procedures in this manual in order to maximize the efficiency of the unit, as well as minimize downtime caused by improper service and repair.

1.2 Unpacking & Inspection

The Spectron 600 is shipped in a specially constructed package that minimizes the possibility of damage during transit. The shipping carton and packing materials should be saved for future use.

Prior to unpacking the unit, inspect the exterior carton for any signs of damage. After unpacking the unit, inspect the leak detector itself for any obvious damage. Should the Spectron 600 fail to function as required, or fail to meet its specifications, contact the Edwards Service Department. Edwards High Vacuum International must be contacted and a **Health and Safety Form** must be completed prior to the return of any equipment (see end of manual for Service Department contacts and forms).

Once the leak detector has been removed from its package, the Spectron 600 must be opened and all shipping material removed from the unit's internal roughing and turbomolecular pumps. To access the internal roughing pump, the front panel must be opened; to access the turbomolecular pump, the back panel must be opened. Both panels are hinged at the bottom and held with a single screw at the top of each panel. To open a panel, loosen the captive screw at the top of the panel (a 1/4 turn is sufficient to unloosen the screw) and gently lower

the door. Make sure that the unit is placed on a flat surface (Edwards Cart, part number D155-01-500, recommended). Remove all shipping materials and tie-down wraps from the internal pumps.

The Spectron 600T is shipped without oil in the internal roughing pump, which must be filled prior to use (see the Edwards 600D manual addendum for shipping information specific to the 600D Dry Leak Detector. In addition, to protect the pump during shipment, it is fitted with two blanks that cover its intake and filter connections. Remove these blanks and attach the flex hosing and filter (refer to Figure 1-2 for a diagram illustrating the proper installation for the hose and filter connections). Attach the flex hosing with the provided centering ring and clamp, and thread the exhaust filter into the adaptor on the pump (item 9). Also, the unit's purge tubing (refer to Figure 1-2) is fitted with a 1/4" ferrule blank. Unscrew the blank and reattach the tubing as indicated in Figure 1-2.

Parts List for Figure 1-2:

ILLUSTRATION #	PART NUMBER	DESCRIPTION
1	A371-22-902 (115V) A371-22-919 (230V)	Rotary Vane Mechanical Pump
2	D155-02-836 D155-02-837	Polyflow Cap, 1/4" Ferrule Nut
3	D155-02-876	Polyflow Tubing, Purge Line
4		Blank Cap
5	C105-12-345	NW16/10 Centering Ring Adaptor
6	C105-12-304	NW16 Clamp
7	D155-02-821	Manifold, Roughing Pump
8		Blank Cap
9	D155-02-868	Pump Filter Adaptor
10	D155-02-840	Exhaust Filter NW16 to 1/4 NPT Adaptor

To fill the pump with oil, unscrew the black cap labeled "OIL" to the left of the exhaust filter. Using the oil (H110-26-015) and the funnel (D155-02-829) provided in the installation kit, slowly fill the pump until the level in the sight glass is just 1/4" below the fill line. Replace the oil fill cap.

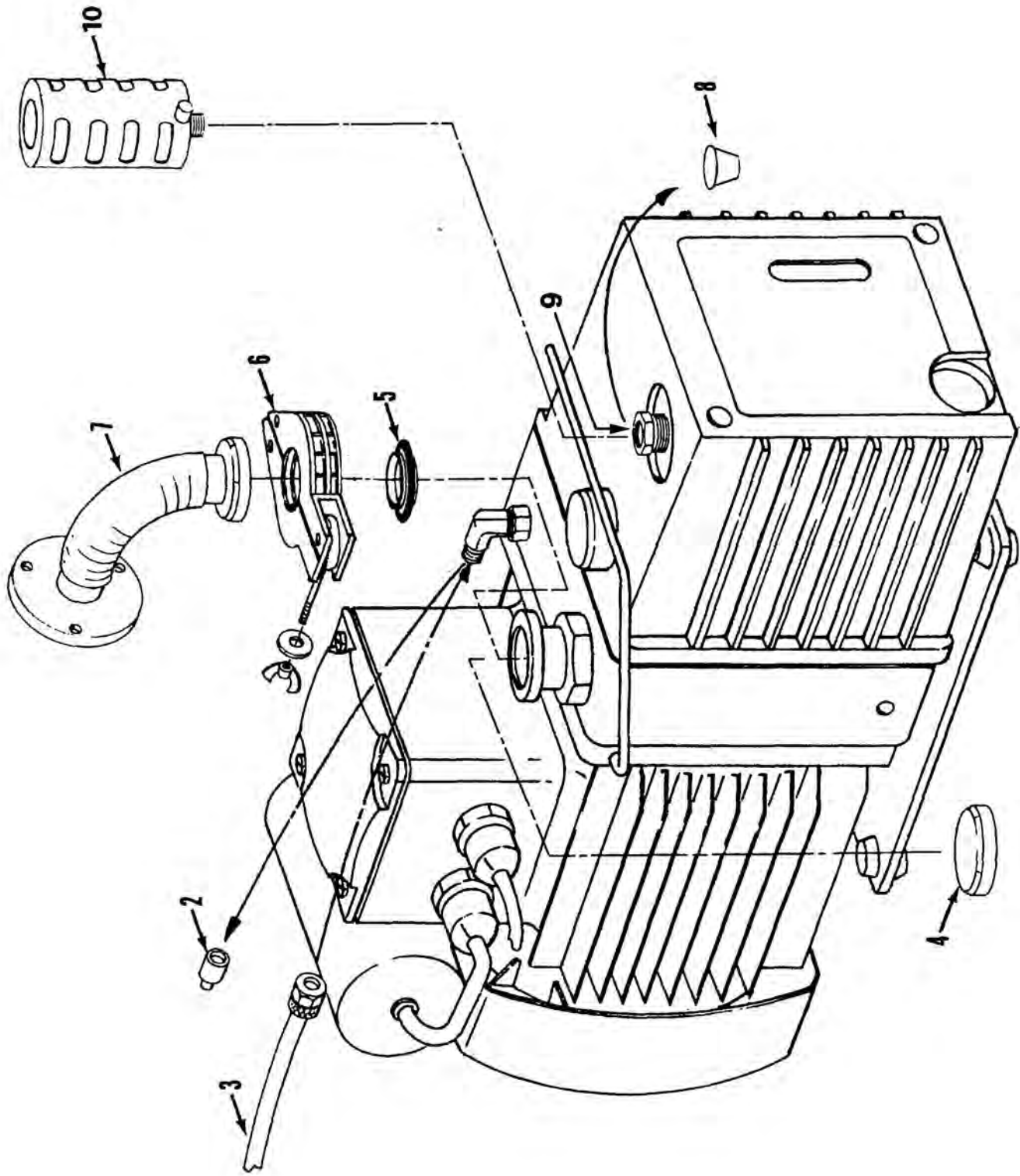


Figure 1-2
Spectron 600 Internal Rotary Vane Mechanical Pump

When all shipping material has been removed, all pump connections have been made, and the pump has been filled with oil, replace the right side panel and close the front and rear doors.

NOTE

The Spectron 600 Leak Detector is factory tested and calibrated prior to shipment and once installed, is ready for use.

An **Installation Kit** is included with the unit when it is shipped. The 600T kit (D155-01-810) contains (refer to addendum for 600D installation kit and contents):

<u>Part Number</u>	<u>Description</u>
D155-02-840	Exhaust Filter
D155-01-820	Filament Kit (box of 5)
D155-02-829	Funnel
D155-02-828	7/64 Allen Wrench
H110-26-015	VMP-19 Oil (1 liter)
D155-01-840	Kit, Cart Mounting
D155-01-830	N2 Kit
D155-02-838	QC Adaptor, NW25 to 1 1/8"
D155-02-815	Blank Plug, 1/18
D155-02-833	Elbow, 1/4 NPT to 3/8 Tube
D155-02-841	Tubing, Tygon, 1/4"

1.3 Installation

The Spectron 600 has been designed as a completely self-contained portable leak detector and therefore has the capability to work in a wide range of environments. However, before installation in a work area, certain requirements must be met.

- A properly grounded electrical supply (115V/60Hz/10A, 230-240V/50Hz/5A, or 100V/50-60Hz/10A as labeled on rear of unit) must be available.
- A user supplied helium supply is usually necessary for the unit (but not for all testing, e.g., sealed parts should already be pre-bombed with helium). The Spectron 600 can use either a Mass 3 or Mass 4 helium supply. Virtually any standard purity helium may be used during leak testing. Depending on the type of leak testing that will be performed, a spray probe (for vacuum testing), a sniffer assembly (for sniff testing) or a test cup (for pressure bombing testing) will be necessary. All of these items are available directly from Edwards.
- The recommended ambient temperature range for the unit is from 10°C to 40°C. Also, excessively humid environments should be avoided.
- Depending upon the immediate environment, an external exhaust facility may be necessary. A bulkhead is installed on the rear of the Spectron 600 that is intended for user-provided 3/8" polyflow tubing. Note that the bulkhead is not connected to the internal exhaust filter of the unit but must be connected by the user. The tubing is then attached to a functional exhaust system.

WARNING!

Only qualified service personnel should operate the unit when either the front or rear panels are open. Potentially lethal high voltages are continually applied to the circuit boards and other areas within the unit during its operation. Although these areas are shielded and well marked, failure to follow this precaution may possibly lead to severe injury or death.

1.4 Spectron 600T Features & Specifications

FEATURES (refer to addendum for Spectron 600D specifications)

Sensitivity:	6 x 10 ⁻¹¹ std cc/sec air equivalent
Leak Rate Range:	10 x 10 ⁰ to 6 x 10 ⁻¹¹ std cc/sec air equivalent (with optional external pump) 10 x 10 ⁻⁴ to 6 x 10 ⁻¹¹ std cc/sec air equivalent (without external pump)
Start-Up:	Fully functional in less than 5 minutes. Consists of: turbomolecular pump acceleration, a complete set of self-diagnostics, turning on filament, checking and assuring hi-vac status, measuring system offsets and measuring background helium
Internal Calibrator:	Helium 4, 1 x 10 ⁻⁸ to 3 x 10 ⁻⁸ std cc/sec air equivalent with integral solenoid valve
Testable Masses:	Helium Mass 3 or 4
Tuning:	Automatic
Calibration:	Automatic for Helium 4 using an internal calibrator of 1 x 10 ⁻⁸ to 3 x 10 ⁻⁸ std cc/sec air equivalent
Auto Zero:	Automatic zeroing of leak rate while in test mode. Initiated by pressing the ZERO pushbutton.
Background Compensation:	Continuous automatic compensation for system background
Remote Control membrane Unit:	Molded A.B.S. case. Plastic laminate over tactile switch array. Controls similar to User Panel.
RS-232C Port:	Two standard bidirectional ports. One port dedicated to the remote control unit. The second port (DB9) is dedicated to data transfer to an external computer or control module.

Ranging: [Automatic/Standard Mode] Without an external roughing pump, begins at the least sensitive gross range (10^{-4}). The unit ranges downward until a leak is detected or until it reaches its most sensitive range (10^{-10}). With the optional external pump, if a gross leak is detected, the unit ranges up to the appropriate decade. If a gross leak is not detected, the unit ranges downward until a leak is detected or until it reaches its most sensitive range.

Ranging: [Manual Mode] May operate at any range, selectable by the operator. The 10^0 to 10^{-3} range is only available when the optional external pump has been installed.

Measurement Units: *Pressure:* milli Torr or millibar (selectable with a switch located underneath the Service Panel accessible when the unit's front panel has been opened)

Leak Rate: std cc/sec (standard cubic centimeters/second) or mbar l/sec (millibar liters/second)

PUMPS

Mechanical Pump: Edwards E2M1.5 rotary vane pump

Turbo Pump: Edwards EXT70 turbomolecular pump

External Pump: Optional 7 or 16 cfm dual stage rotary vane (mechanical) pump

PERFORMANCE SPECIFICATIONS

Sensitivity: 6×10^{-11} std cc/sec air equivalent (direct mode)
 6×10^{-10} std cc/sec air equivalent (reverse mode)

Resolution: 14 at Mass 4

Response Time: Reverse Mode < 3.5 seconds
Fine Mode < 2 seconds

Test Time: <3.5 seconds on a blank port to a pre-selected range in the reverse flow test mode

Noise & Drift:	<6% on 10 ⁻¹⁰ range
Testable Masses:	3 and 4
Maximum Measurable Leak:	10 x 10 ⁻⁴ std cc/sec air equivalent (without external pump) 10 std cc/sec air equivalent (with optional external pump)
Maximum Inlet Pressure:	Gross Mode: Atm (with optional external pump) Reverse Mode: 720 mTorr Direct Mode: 25mTorr
Test Mode Leak	Gross: 10 to 1 x 10 ⁻³ std cc/sec helium Intermediate (Reverse): 10 x 10 ⁻⁴ to 6 x 10 ⁻¹⁰ Fine (Direct): 10 x 10 ⁻⁹ to 6 x 10 ⁻¹¹

ELECTRONICS & USER INTERFACE

System Controller:	Microprocessor based; four integrated boards used: A controls the unit's computer, logic and sensors B controls the unit's mass spectrometer voltage supplies C controls the unit's displays and controls D controls the unit's handheld remote <i>Display:</i> LED alphanumeric and bar graph displays <i>Data Input:</i> Through dedicated function keys
---------------------------	--

MISCELLANEOUS

Power Requirements:	115V, 50-60Hz, 10 Amp (Fuse: 10AB "Slo-Blo" [MDA10]) 230-240V, 50-60Hz, 5 Amp (Fuse: 5AB "Slo-Blo" [MDA5]) 100V, 50-60Hz, 10 Amp (Fuse: 10AB "Slo-Blo" [MDA10])
Dimensions:	15.5"H x 20.5"W x 14.25"D (38.1 cm H x 52.1 cm W x 35.6 cm D)
Weight:	85 lbs. (38.6 kg)

1.5 General Description

The Spectron 600 is a fully automatic, dual mode, turbomolecular pumped portable leak detector. Each of its two modes (Reverse Flow or Direct Flow) is automatically selected by the leak detector based on the currently selected leak rate range.

Reverse Flow Mode permits rapid testing for leaks in test objects that are characterized by a high degree of outgassing. Testing can start at test port pressures of Atm for leaks from 10 to 1×10^{-3} std cc/sec (Gross Mode testing) when using the optional external pump or pressures of 720 mTorr for leaks between 10×10^{-4} and 6×10^{-10} std cc/sec (Intermediate Mode testing) for units not equipped with an external pump.

Direct Flow Mode is most useful for testing objects that demand clean testing and higher sensitivity. In this mode, the leak detector measures leaks from 10×10^{-9} to 6×10^{-11} std cc/sec, at a test port pressure of 25 mTorr or less. However, this mode is also capable of determining larger leaks. Once the unit is in this mode and a larger leak has been detected, the unit will range back to the appropriate decade.

The Spectron 600 uses two types of automatic testing: an automatic test mode with automatic ranging and an automatic test mode with manual ranging. In automatic ranging mode, the leak detector automatically ranges downward (to more sensitive leak rate ranges) until a leak is found. When using manual ranging, the operator of the leak detector controls the range in which a particular test object is tested

NOTE.

Refer to the Spectron 600D Manual Addendum for information on the special Product Testing and Process System Testing modes for the 600D.

In the Automatic Test Mode, when using Automatic Ranging, all the functions of the leak detector, including the evacuation (pump down) of the test object and the functions of all pumps and valves are controlled by the Spectron 600 computer. Additionally, all measurements and display information about the leak rate and system performance are under the control of the computer.

The Automatic Test Mode, when using Manual Ranging, is identical to the Automatic Testing/Automatic Ranging mode except that the user preselects the range (e.g., 10^{-5} std cc/sec) for testing. If a measured leak is either above or below the preselected decade, the leak detector operator can manually range the

*Also referred to as Standard Operation, Standard Mode, or Normal Mode

unit either up or down. The remainder of the testing procedure is handled by the Spectron 600 computer in exactly the same manner as with the Automatic Ranging Mode.

1.5.1 Standard Operation

This is the normal operating mode for the Spectron 600. During operation, the user need only use the right (uncovered) portion of the display panel (the User Panel is illustrated in Figure 2-1). All functions to be accessed and display information needed to leak test an object are found on this panel. The panel displays bar graphs indicating test port pressure and leak rate values. Additionally, the panel indicates the current leak range mode, an accept/reject indicator that indicates if the leak being tested is above or below the test set point, and whether the unit is in test or standby mode. The user panel also has toggles for automatic or manual ranging (including greater/lesser pushbuttons), audio volume pushbuttons, an auto-zero pushbutton, a sniff mode indicator and START and VENT pushbuttons (START is used to commence the testing cycle as well as to interrupt the testing cycle without the chance of accidentally venting the system, while VENT is used to interrupt testing and/or to vent the test port).

1.5.2 Service Mode

WARNING!

The Service Mode of the Spectron 600 is intended for use by qualified Edwards personnel or Users specifically trained by Edwards. Under no circumstances should any individual be assigned access to this mode without a complete knowledge of vacuum systems as well as the Spectron 600 System. Use by an unqualified operator may result in damage to the unit and/or personal injury.

Service Mode is initiated by first opening the rear panel of the unit (loosen the 1/4-turn screw at the top of the panel, then gently lower the door) and then pressing the black toggle button at the top right hand side of the circuit board that is attached to the panel. Once the toggle has been pressed, the unit is placed in Service Mode and the Service Mode indicator is illuminated.

Service Mode disables the automatic valve controls and allows the user to manually control all of the valves within the vacuum system. The valves are controlled by a cluster of labeled momentary switches located on the left of the User Panel. The LED indicator on each switch is lit when the valve is open. Included within the vacuum system are: the auto-calibrator valve, external rough valve, fine (direct) valve, foreline (reverse) valve, gross testing valve, purge valve, roughing valve, sniffer valve and the vent valve.

Grouped to the right of the Service Mode Indicator are a series of LED indicators. The Service Mode allows the setting of the unit's Amplifier Gain, Anode Voltage, Calibration Temperature and Internal Calibration Value in conjunction with the arrow buttons and LED alphanumeric display to the right of the indicators. Additionally, the user may view the unit's calibration temperature, the emission current of the filament within the unit's spectrometer, the error code present (indicating a possible fault within the unit), the current supplied to the filament in the mass spectrometer, the calibration standard (e.g., 2×10^{-8} std cc/sec @ 24°C) of the internal calibrator, the leak rate of the test object (a numeric value the same leak rate as displayed by the bar graph on the User Panel), the pressure measured at the test port and the total number of hours the unit has been in operation.

Below the indicators and to the right of the valve controls are two sets of momentary switches. In either Standard or Service Modes, they allow the user to turn on/off the filament within the mass spectrometer, choose between two different filaments within the spectrometer, and perform an actual test on the calibrator or optimize the mass spectrometer. When strictly in Service Mode, the user is also able to choose between either a helium or air standard for leak rate measurement or choose whether the Spectron 600 will measure either with Mass 3 or 4 helium.

1- 6 Disposal of the Spectron 600

Dispose of the Spectron 600 and any components and accessories safely in accordance with all local and national safety and environmental requirements.

Particular care must be taken with the following:

- The waste oil from the rotary vane mechanical pump (Spectron 600T). Consult with local authorities for rules and regulations for proper disposal of waste oil.
- Any components which have been contaminated with dangerous process substances.
- The system computer uses a lithium battery (mounted to the "A" board) which may be subject to special disposal requirements depending upon the locality. Consult with local authorities for proper disposal information.

WARNING!

The Spectron 600 should not be incinerated, as the following parts *must be removed from the unit* prior to incineration. Incineration of these parts may cause injury to people.

- Do not incinerate the EXT Turbomolecular pump. The pump contains phenolic and fluorosilicone materials which can decompose to very dangerous substances when heated to high temperatures.
- Do not incinerate the EXC100 Turbomolecular Pump Controller. If the controller is heated to very high temperatures, dangerous gases may be emitted and internal components may explode.
- Do not incinerate any of the PC Boards in the Spectron 600. If the boards are heated to very high temperatures, dangerous gases may be emitted and components mounted on the boards may explode.
- Do not incinerate the system power supply. Heating the power supply to very high temperatures may cause dangerous gases to be emitted and internal components may explode.
- Do not incinerate fluoroelastomer seals, O-rings or valve seats.

CHAPTER TWO

Operating The Spectron 600

2.1 Introduction

This chapter contains the information needed by the user to operate the Spectron 600 Leak Detector and perform leak checks on a test object. This chapter is grouped into three general divisions:

- 1 Operator Controls & Indicators
- 2 Starting & Operating the Leak Detector
- 3 Testing Aids & Procedures

While this chapter contains sufficient information to operate the Spectron 600 leak detector, we suggest that you read Chapter 3, **Theory of Operation**, prior to performing any testing. An overall understanding of the various phases of a test cycle will help the operator use the leak detector more effectively and efficiently.

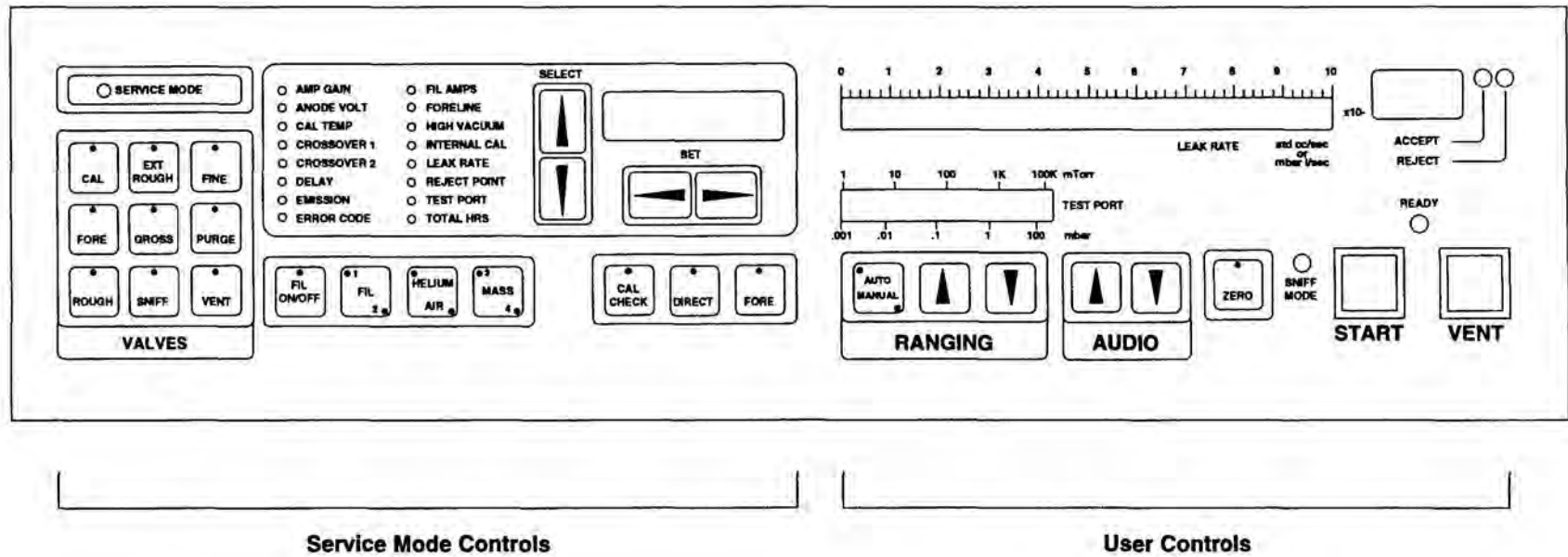


Figure 2-1
Spectron 600 User Panel

2.2 Controls & Indicators

The following Controls & Indicators are available from the User Panel at the top right front of the unit (see Figure 2-1 for an illustration of the User Panel).

2.2.1 User Controls

LEAK RATE

An LED bar graph indicating the mantissa of the measured leak rate of the test object. For a full leak rate reading, this meter is used in conjunction with the Numeric Display. The bar graph display is in standard cubic centimeters per second (std cc/sec) or in millibar liters per second (mBar l/sec).

NUMERIC DISPLAY

A two digit alphanumeric display with two separate functions, as follows:

1. During testing, the display will normally indicate the exponent of the current leak rate. For example, if the leak rate is 3×10^{-7} std cc/sec, the **Leak Rate** bar graph will indicate **3** and the numeric display will indicate the number **7**.
2. The numeric display provides error codes when a system fault occurs (see section 4.10 for a list of error codes, their description and corrective action). During a system fault condition, the numeric display will indicate code **EE**, the Service Panel **Error Code** indicator will be lit and the alphanumeric display will indicate the error code.

TEST PORT

A bar graph that displays the pressure at the test port. Scaled for either milliTorr or millibar. The test port pressure is also displayed in digital format on the Service Panel alphanumeric display.

ACCEPT

During leak testing, this indicator will light when the leak measured is less than the programmed reject rate (maximum acceptable leak rate) and the unit is also within or below the range of the reject value. The **reject rate** is set by the user from the Service Panel (see Section 2.7).

REJECT

During leak testing, this indicator will light when the leak measured is greater than or equal to the programmed **reject rate** (maximum acceptable leak rate). The **reject rate** is set by the user from the Service Panel (see Section 2.7).

READY

When lit, the unit is in **standby** mode (all valves except the foreline valve are closed). Pressing the START pushbutton commences a test cycle.

AUTO/MANUAL

Prior to and during leak testing, this momentary switch allows the user to toggle between Automatic and Manual Ranging modes.

RANGING

While leak testing in Manual Ranging mode, each press of either the up or down arrow buttons will cause the unit to leak test in the **decade** (or range) above or below the current decade being tested (pressing and holding either arrow button will cause the unit to sequentially pass through one or more decades). The numeric display (the exponent of the leak rate) will indicate the change. Also, when leak testing in the automatic ranging mode, pressing either arrow button will force the unit to test in manual ranging mode, at a decade higher or lower than the decade previously being tested (corresponding to the arrow key pressed).

AUDIO

During actual testing and while in service mode, the audio signal of the unit is always turned on. The arrow keys dedicated to the Audio section of the panel control the volume. Pressing the down arrow key several times (or pressing and holding the down arrow key) reduces the volume to an inaudible level. Note that this function is also available when using the optional headphones. A connector for a set of headphones is located under the bottom rear panel of the unit.

NOTE: The audio signal may be set, if desired, to trigger only when the leak rate exceeds the reject point. This is done by enabling profile switch 5 on the A circuit board. Contact Edwards Service, or refer to Appendix E for more information.

ZERO

In Standard Mode, The ZERO momentary switch is active only during actual leak testing. When pressed, this unit's computer reduces the measured leak rate displayed by the unit to zero within the decade being measured (e.g., a 4×10^{-6} std cc/sec leak rate would now be displayed as a 0×10^{-6} std cc/sec leak rate). This function is usually used when background helium causes measurement problems during testing. Note that this function also limits the maximum sensitivity of testing to two decades (or ranges) below the zeroed decade.

When the unit is in Service Mode, pressing the ZERO momentary switch will toggle the turbomolecular pump on or off. When the ZERO LED indicator is lit, the turbomolecular pump is on.

SNIFF MODE INDICATOR

When lit, the unit has been placed in the Sniff Mode. When in Standard Mode, the unit is placed in the Sniff Mode by pressing the SNIFF valve momentary switch located on the left of the Service Panel. When the unit has been placed in Service Mode, pressing the SNIFF valve momentary switch opens the Sniffer Valve.

WARNING!

Never operate the Spectron 600 in Sniff Mode without the optional Sniffer Assembly or without the standard plug in place on the Sniffer Quick Connect Fitting (QCF). Running the unit without covering the Sniffer QCF will cause a dramatic increase in foreline pressure within the unit, and will thereby cause the unit's turbomolecular pump to rapidly shut down.

START

Pressing this pushbutton begins a test cycle. During testing, pressing the START pushbutton again will halt all testing by closing all vacuum system valves (except the foreline valve). This also places the unit into its **standby** (wait) mode. Pressing the START pushbutton instead of the VENT pushbutton eliminates the chance of the user inadvertently venting the system (refer to the VENT function, below). The START pushbutton lights when a test cycle has been initiated.

VENT

Dual function pushbutton. When pressed momentarily, the Spectron 600 is interrupted from its current testing cycle and placed in **standby** (wait) mode. The green READY indicator will light. When pressed and held for a preprogrammed time (as programmed by the user; factory default is 1.0 second) the pushbutton initiates an AUTO-VENT cycle and returns the test port to atmospheric pressure. The delay may be programmed for up to 999.9 seconds.

ON/OFF

Applies or disengages AC power to the unit. Toggling this switch is all that is needed to turn the unit ON or OFF.

2.2.2 Service Mode Controls

The following Controls & Indicators are accessible from the Service Panel (the left half of the panel, as shown in figure 2-1).

SERVICE MODE INDICATOR

When lit, the Spectron 600 has been placed in Service Mode. The unit is placed in Service Mode by pressing the Service Mode Interlock toggle located on the upper right side of the circuit board, mounted on the inside of the unit's rear door.

AMP GAIN

Amplifier Gain. When this function is selected, the alphanumeric display indicates the setting of the leak rate amplifier (1.0 to 10.0).

Three different gains are used on the unit. The first, **G1**, is used for the unit's gross flow mode; the second, **G2**, is used for the unit's reverse flow mode and the third, **G3**, is used for the unit's direct flow mode.

G1 may be selected using the SELECT momentary switches when the AMP GAIN function has been selected. Gain (calibration) of the Spectron 600 is changed by the SET momentary switches. Normally G2 and G3 are set automatically by the Spectron 600 during a Tune and Calibration cycle. The G2 and G3 settings may only be altered only in Service Mode. The actual setting may be viewed in either

Service or Standard Modes. Note that G1 is not controlled by the Spectron 600 and must be set by the user. G1 may be set by the user when the Spectron 600 is leak testing in the Gross Mode, or when the unit is in the service mode.

ANODE VOLT

Anode Voltage. When this function is selected, the alphanumeric display indicates the anode voltage of the unit. In Service Mode, the anode voltage may be altered incrementally by pressing either of the SET momentary switches. Note that the other peak voltages associated with the mass spectrometer follow the anode voltage setting; therefore the Spectron 600 can be manually tuned by changing the peak voltage.

CAUTION

Only qualified personnel should attempt to alter the anode voltage setting while the unit is in Service Mode. As stated above, altering the peak tuning voltages will retune the mass spectrometer. Improper tuning will greatly effect the accuracy and reliability of the leak detector.

While the unit is in Standard Mode, pressing either the left or right SET momentary switches adjusts the unit's peak tuning voltages either -30 or +30V. This function is referred to as **peak scan** and is used to quickly verify if the mass spectrometer is properly tuned (refer to Section 2.9 for further information on the Peak Scan function). Releasing either momentary switch returns the anode voltage of the unit to its prior value.

CAL TEMP

Calibrator Temperature. When selected in Standard Mode, the alphanumeric display will indicate the current temperature of the calibrator. When selected in Service Mode, the alphanumeric display will indicate the temperature at which the internal helium reference standard was originally calibrated. This parameter may be altered in Service Mode (using the SET pushbuttons), however, this setting should not be altered unless a new calibrator is installed in the unit.

CROSSOVER 1 (Reverse Crossover)

The alphanumeric display indicates the programmed test port pressure needed to **crossover** from the unit's gross testing mode to reverse testing mode (when using the optional external pump). If an external pump is not connected to the unit, the crossover setpoint is the pressure needed to crossover from the unit's roughing mode to the reverse testing mode. This parameter may be altered while the unit is in either Standard or Service Mode, by using the SET momentary switches (Max. Crossover 1 = 2000 mTorr; factory default = 500mTorr).

CROSSOVER 2 (Direct Crossover)

The alphanumeric display indicates the programmed test port pressure needed to **crossover** from the unit's reverse testing mode to its fine (direct) testing mode. This parameter may be altered while the unit is in either Standard or Service Mode, by using the SET momentary switches (Max. Crossover 2 = 75 mTorr, 600D; 150 mTorr, 600T. Factory default = 25 mTorr).

DELAY

Seven delays are available and may be set while the unit is in **Standard** mode:

D1/Fine (Direct) Crossover Delay: The time delay after Crossover 2 has been reached and the onset of Fine (Direct) Testing. The Spectron 600 stays in Reverse Flow Testing during this time. The factory default is 1.0 second; the parameter may be set between 0.1 to 999.9 seconds. Note that if the Spectron 600 is set for Manual ranging in the 10^{-10} range, the unit will remain in the roughing state for the time set in D1 after Crossover 2 has been reached.

D2/Direct Rough Valve Close Delay: When Crossover 2 has been reached, the Rough valve will remain open for this value and then close. The factory default is 0.1 second; the parameter may be set between 0.1 to 999.9 seconds. If D2 is set to 999.9 seconds, the Rough valve will remain open for the entire length of the test cycle.

D3/Vent Delay: The amount of time needed to hold the VENT pushbutton before the venting cycle begins. The factory default is 1.0 seconds; the parameter may be set between 0.1 to 999.9 seconds.

D4/Vent Duration: The amount of time the vent valve will stay open after the unit's pirani gauge indicates atmosphere has been reached. The factory default is 1.0 second; the parameter may be set between 0.1 to 999.9 seconds. If D4 is set to 999.9 seconds, the Vent valve will remain open until next test cycle is started.

D5/Minimum Gross Testing Time: Sets the minimum amount of time that the Spectron 600 will remain in the Gross test mode. Prevents unit from auto ranging and crossing over into Reverse flow mode before a gross leak is detected. Useful when testing large parts that may have long helium response time. May be set from 1.0 to 999.9 seconds; the factory default is 1.0 second.

D6/Minimum Rough Time: Specifies minimum amount of time that Spectron 600 will remain in Roughing state before crossing over into a testing state. Useful for testing parts with high gas load which require extended pumping. May be set from 1.0 to 999.9 seconds; the factory default is 1.0 second.

D7/Reverse Rough Close Delay: Keeps external Rough valve open for specified amount of time after reverse flow valve has opened. Only active on units equipped with external Rough valve option. May be set from 0.1 to 999.9 seconds; the factory default is 0.1 second. If set to 999.9 seconds, external Rough valve will remain open for entire duration of reverse flow testing.

NOTE: In Service mode, the delay function displays:

D1: the current software version stored in flash memory (e.g., FLASH 4.3).

D2: the current software version stored in ROM (e.g., EPROM 1.5).

D3: Seven Range electrical offsets; the value is expressed as a fraction of a volt (e.g., 0.00xx).

D4: Ten Range electrical offsets; the value is expressed as a fraction of a volt (e.g., 0.00xx).

D5: Shows D5 value.

D6: Shows D6 value.

D7: Shows D7 value.

EMISSION

Emission Current. Indicates the filament emission current. The alphanumeric display will indicate the current in mA. A normally operating filament will have an emission current of 5mA, as regulated by the filament control circuit.

ERROR CODE

This function automatically appears after an error has occurred with the unit. When an error occurs, the unit automatically switches to this function, the LED corresponding to the function is lit, and the alphanumeric display indicates the error code. The unit will display the code until the problem is resolved. This function is also selectable when using the SELECT momentary switches on the Service Panel. If in Standard Mode, and this function is selected when a system error has not occurred, the word NONE will appear on the alphanumeric display. In Service Mode, selecting this function will display the current date.

FIL CURRENT

Filament Current. The alphanumeric display indicates the filament supply current, in D.C. Amps. The maximum current is 6 amps.

FORELINE

Foreline Pressure. The alphanumeric display indicates foreline pressure. May be displayed in milliTorr or millibar. The selection of units to be displayed is made by a blue toggle switch located underneath the Service Panel. The switch is accessed by opening the front panel and is mounted on the circuit board located and attached directly under the Service Panel.

HIGH VACUUM

The alphanumeric display indicates pressure in the high-vacuum section (the area surrounding the filament within the spectrometer housing). If the unit's filament has been turned off, the display will state OFF, otherwise the display indicates the high vacuum pressure in either Torr or bar. The selection of units to be displayed is made by a blue toggle switch located underneath the Service Panel. The switch is accessed by opening the front panel and is mounted on the circuit board located and attached directly under the Service Panel. If the unit is in **Standby** mode, the alphanumeric display will occasionally display **SPECTRON**. When this occurs, the unit is checking system offsets and not measuring hi-vac pressure.

INT CALIBRATOR

Internal Calibrator. In **Standard Mode**, this function displays the current temperature-compensated value of the internal calibrator. This parameter may not be changed, since this value is derived from the leak rate value of the internal calibrator. In **Service Mode**, the alphanumeric display indicates the leak rate value stored in the unit's computer for the internal calibrator. This parameter may be altered only in Service Mode, by using the SET momentary switches. This parameter should only be changed when the internal calibrator has been replaced.

LEAK RATE

The alphanumeric display indicates the actual current leak rate. Measurement is in either std cc/sec or millibar liter/sec.

REJECT POINT

The alphanumeric display indicates the programmed leak rate value for the Reject/Accept indicator (the setpoint that indicates if the test object is below the maximum acceptable leak rate). This parameter may be altered only in Standard Mode, by using the SET pushbuttons. In Service Mode, this function is used to indicate the speed of the turbomolecular pump (the alphanumeric display indicates the percentage of the pump's rated speed).

TEST PORT

Test Port Pressure. The alphanumeric display indicates the pressure of the test port. May be displayed in milliTorr or millibar. The selection of units to be displayed is made by a blue toggle switch located underneath the Service Panel. The switch is accessed by opening the front panel and is mounted on the circuit board located and attached directly under the Service Panel.

TOTAL HRS

Total Hours. In Standard Mode, the alphanumeric display indicates the total number of hours the unit has been in operation. In Service Mode, the display indicates the time of day. The time (a 24 hour clock) can be altered by using the SET arrow keys (to select hrs., min. sec.) and the AUDIO arrow keys to set the new time for the unit.

SELECT

Up/Down Arrow Keys. Momentary switches that allow the user to scroll through the sixteen functions located on the Service Panel. The LED next to each function indicates that the function has been selected. The function's current readout, measurement, etc. is displayed on the alphanumeric display.

ALPHANUMERIC DISPLAY

Eight character display. Used to indicate messages as well as the status of the sixteen selectable functions on the Service Panel (from AMP GAIN to TOTAL HRS). An LED next to the function indicates that the function has been selected, while this display indicates its current status or measurement. The display also indicates Error Message Codes (see **Table 4-1** for a list of Error Codes).

SET

Up/Down Arrow Keys. Momentary switches that allow the user to increase or decrease the value of the settable functions (AMP GAIN, ANODE VOLTAGE, CAL TEMP, CROSSOVER 1, CROSSOVER 2, DELAY, INT CALIBRATOR and REJECT POINT).

FIL ON/OFF

Filament ON/OFF. Momentary switch. When the unit is in Service Mode, pressing this switch will toggle the active filament on or off.

When the unit is in Standard Mode, this switch also toggles the active filament on or off. However, whenever the unit is in Standard Mode, the filament may be turned on only when the high-vacuum section has been sufficiently evacuated (as determined by the Spectron 600's computer). The filament may never be turned off while the Spectron 600 is in a testing mode.

CAUTION

As described above, in Service Mode, the spectrometer's filament may be turned on or off at any time. In this mode, care should be taken to make sure that the high-vacuum section has been pumped down. If the filament is turned on when the high-vacuum section is at or near atmosphere, the filament will quickly burn out.

FIL 1/2

Filament 1 or 2. Momentary Switch. By pressing this switch, the user is allowed to toggle between Filament 1 and 2. A green indicator next to the 1 or 2 on this switch indicates that the respective filament is working properly. If a red LED appears next to the 1 or 2 on the switch, the filament is malfunctioning.

HELIUM/AIR

Momentary Switch. Not active in Standard Mode. By pressing this switch in Service Mode, the user is allowed to toggle between air equivalent and helium leak rate readings. The LED next to the HELIUM or AIR labels indicates which standard is active.

MASS 3/4

Momentary Switch. Not active in Standard Mode. By pressing this switch in Service Mode, the user is allowed to toggle between Mass 3 or Mass 4 helium tuning voltages. The LED next to the 3 or 4 indicates for which the Spectron 600 is tuned.

CAL CHECK

Calibration Check. Momentary Switch. Active only in Standard Mode. Pressing this switch allows the user to initiate the unit's calibration check sequence in conjunction with the Spectron 600 internal calibrator. See Section 2.9 for a full description of the Calibration Check function.

CAL

Calibrate. Momentary Switch. Active only at the end of a Calibration Check sequence. Pressing this switch allows the user to initiate the unit's Auto Calibrating function (when using Mass 4 helium). Note that this function uses the unit's internal calibrator. The LED on the switch is lit while this sequence is in progress. See Section 2.9 for a full description of the Calibration function.

TUNE

Momentary Switch. Active only in Standard Mode. Pressing this switch allows the user to initiate the unit's Auto Tune sequence in conjunction with the unit's internal calibrator. The Spectron 600 computer subsequently adjusts the detector's voltages for maximum sensitivity. The LED on the switch is lit while this sequence is in progress. See Section 2.9 for a full description of the Tune function.

2.2.3 Rear Panel Connections

The connectors that are listed below allow the Spectron 600 to interface with various external equipment. An illustration of these rear panel connectors is presented in Figure 2-2. All of the connectors are located on the rear of the unit, below the rear panel (from left to right):

SNIFF CONNECTOR

This port (a quick-connect fitting is attached to the port) is used to connect to Edwards external sniffer probe. When the sniff probe is not connected to the unit, a plug (provided) should be covering the connector whenever the unit is operating.

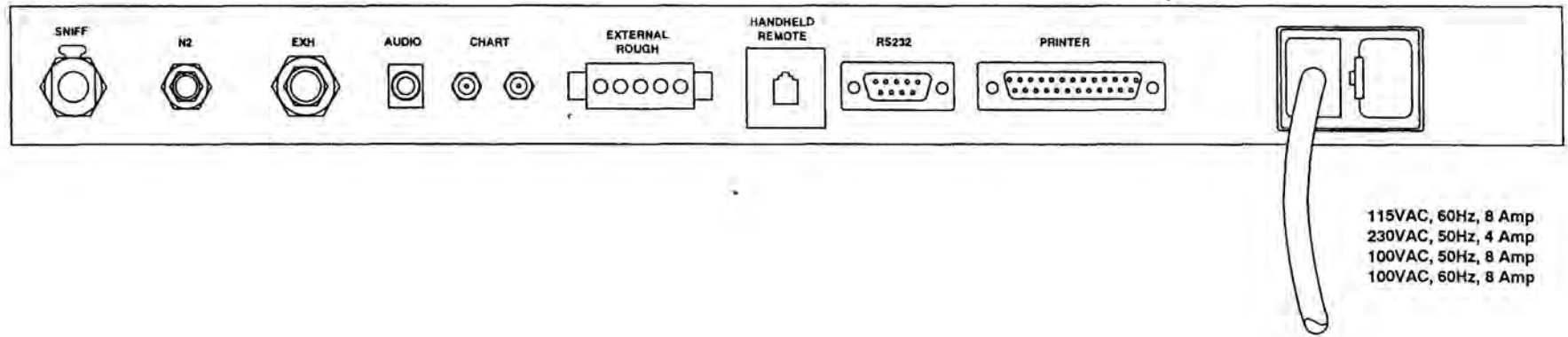


Figure 2-2
Spectron 600 Rear Panel Connections

N2

A standard 1/4" bulkhead connector. Allows the user to connect N₂ to the purge fitting on the mechanical pump or to the vacuum system vent port. Must be internally connected by the user. Refer to the N₂ kit instructions included in the installation kit for N₂ connection information

EXHAUST LINE CONNECTOR

A standard 3/8" bulkhead connector. Allows the normal exhaust that the Spectron 600 produces during testing to be channeled directly to a user-provided exhaust system. Standard 3/8" tubing is used between the detector and the exhaust system. Must be internally connected by the user.

HEADPHONE JACK

A standard mini audio connector. Allows the user to listen to audio tones. The audio tones indicates leak status - the higher the tone, the larger the leak. Most useful in noisy environments when the audio volume of the unit is not loud enough for an operator to clearly hear.

CHART

Double mini banana jack. Allows the use of a chart recorder, or similar device, to monitor leak testing as it progresses. Provides a 0-5V DC output corresponding to the leak rate mantissa of 0 to 10 (i.e., 2V represents 4.0×10^6).

EXTERNAL ROUGH VALVE CONNECTOR

A standard 5-pin Molex connector. This port allows the connection of the external roughing option to the Spectron 600. With the external roughing option, the unit's gross testing mode (10×10^0 to 1×10^3 std cc/sec) is automatically available. The connector has a **sensing line** that is engaged and then monitored by the Spectron 600 computer whenever the external rough valve is attached to the connector.

HANDHELD REMOTE PORT

Allows the handheld remote control to operate the Spectron 600. Most of the features of the User Panel are duplicated on the remote control. Specifically, the remote control has an LED bar graph and numeric display indicating the measured leak rate of the test object, switches to select between Auto/Manual ranging, up/down arrow keys for use during manual ranging, a

START button as well as a VENT button. The port itself is a four wire RJ-11 telephone-type connector. The remote is illustrated in figure 2-3.

RS-232C PC REMOTE PORT

Allows a remote computer to operate the Spectron 600 in Standard Mode and to record the leak rate/testing results of every leak rate measurement cycle. The port itself is a standard RS-232C connector (DB9).

PRINTER PORT

Allows a standard pin PC-compatible printer cable (DB25) to be connected to the unit. The printer is used to document the leak rate/testing results of every leak rate measurement cycle. The data sent to the printer is encoded with the time and date of the measurement as well as the tested leak rate, Accept/Reject indication and Reject setpoint. The data is printed in a columnar format so that it may be easily compared. Information is sent to the printer whenever the user terminates the test cycle by either pressing the VENT pushbutton or by pressing the START pushbutton a second time.

POWER INPUT MODULE

Allows AC power to be connected to the Spectron 600. A standard plug/cord is used.

Two fuses are installed in a removable holder located to the right of the AC power input (see fig. 2-2). Release the holder by gently pushing in the tab on its left side. Refer to page 1-10 to determine your unit's power requirements and appropriate fuse rating.

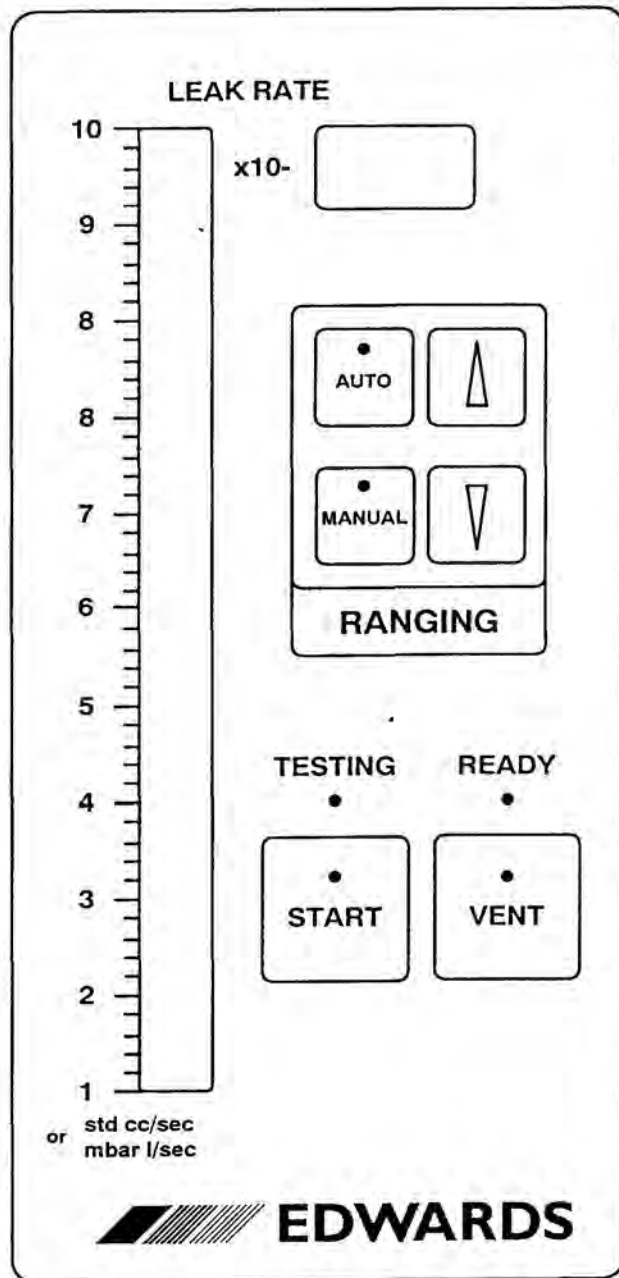


Figure 2-3
Spectron 600 Hand Held Remote Control Unit

2.3 Starting the Spectron 600 Leak Detector

The Spectron 600 is started from the User Panel simply by pressing the ON/OFF (I/O) switch. During the 5-minute Start-Up mode, the following will occur within the unit:

- 1 The unit will activate a self-diagnostic routine.
- 2 The foreline area will be pumped down.
- 3 The turbomolecular pump will spin up to its rated speed.
- 4 If the filament was on when the unit was last turned off, the filament will be on again at the end of the start-up mode. If the filament was off when the unit was turned off, the user will have to press the FIL ON momentary switch to turn on the filament.

NOTE:

During the start up procedure, all LED's on the User Panel will be tested by being sequentially lit. After the LED's are tested, the Leak Rate bar graph display will show the turbo speed increasing to full speed, and then will provide a countdown to completion of start up.

When the Start-up mode has been completed, the Automatic Ranging indicator will be lit, the test port measurement gauge will be activated, **and the READY light indicator will be lit.**

Pre-Testing Start-Up Procedure:

Ensure that all connections are secure and all utilities are available. Check that:

- A.C. power is connected.
- A helium supply source is ready and available (when applicable).
- There is a sufficient supply of oil in both the internal and external rough pumps (600T only).
- All external accessories are properly connected.

2.4 Leak Testing

NOTE

Refer to the 600D addendum for leak test sequence information specific to the 600D

Leak testing is most often performed on the Spectron 600 by connecting a test object to the leak detector test port. The unit's leak detector test port is located on the top right of the Spectron 600's housing.

Vacuum Testing:

Through the use of the detector's internal rough pump (and external rough pump, if so equipped) the test object is evacuated. Once accomplished, the area of the test object suspected to have a leak is sprayed with helium gas. As the helium (and other gases) pass through a hole in the test object and are collected by the unit:

- 1 The gases entering the unit are ionized (positively charged)
- 2 Helium molecules are separated from all other gas molecules
- 3 Helium ions will then strike the collector plate causing an electron flow equivalent to a minute current, which is measured and amplified so that the measurement of the leak is displayed on the User/Service Panel.

An alternate commonly used method is to test an object pre-filled with helium gas. The test object is placed in a test chamber which is evacuated and tested (as above). The Spectron 600 subsequently displays the measurement of the leak on the User/Service Panel.

The procedure for leak testing an object in the Spectron 600 (without an external pump connected) is as follows :

- 1 Connect the test object to the test port located at the top of the Spectron 600.
- 2 Press the green START pushbutton.
- 3 The rough valve immediately opens. Gases are evacuated from the test object (the object is pumped down).

- 4 When the test port pressure reaches Crossover 1 (1,000 mTorr maximum), the reverse/foreline valve opens. The green start switch illuminates.
- 5 If a vacuum testing procedure is underway, spraying of the test object with helium should now commence.
- 6 Leak testing begins in the 10^{-4} std cc/sec range.
- 7 The unit will continue to search for a leak, ranging downward until it reaches the 10^{-9} std cc/sec range.
- 8 If a leak is still not found, the unit will automatically begin fine (direct) testing. The rough valve will close, the fine valve will open and the leak detector will range downward to the 10^{-10} std cc/sec range. If the test port pressure is above Crossover 2 (75 mTorr max, 600T; 150 mTorr max, 600D), the unit will return to a roughing state, then will again test when Crossover 2 has been reached.
- 9 If a leak is not found, the unit will continue to test at this level until the VENT pushbutton is pressed. If a leak is found, the unit will range upward to the proper range. The unit stays in direct mode when ranging upward until it reaches the 10^{-4} range, where it crosses back into reverse mode testing.
- 10 When leak testing has been completed, pressing and holding the VENT pushbutton (the default is for 0.5 second or may be programmed by the user - the D3 time interval) closes all vacuum system valves except for the foreline valve, opens the vent valve and vents the test port and test object.

2.5 Operation With an External Pump

NOTE

Refer to the 600D addendum for leak test operational information specific to the 600D

- 1 Connect the test object to the test port.
- 2 Press the green START pushbutton.
- 3 The external rough valve immediately opens. Gases are evacuated from the test object (the object is pumped down).
- 4 As soon as roughing has commenced, the gross valve opens. The green start switch illuminates.
- 5 Leak testing begins in the 10^{-4} std cc/sec range.
- 6 If a vacuum testing procedure is underway, spraying of the test object with helium should now commence.
- 7 If a gross leak is detected the unit will range up to the appropriate decade, while the test object continues to be pumped down.
- 8 If no leak is found and the test port pressure has reached Crossover 1, the unit will begin intermediate (reverse mode) testing. The external rough valve and gross valve will close, the internal rough valve will open and the leak detector will range downward from the 10^{-4} std cc/sec range to the 10^{-9} std cc/sec range.
- 9 If again a leak is not found and the test port pressure has reached programmed Crossover 2 pressure, the internal rough valve closes, the fine valve opens and the unit ranges to the 10^{-10} std cc/sec range.
- 10 The unit will continue to test at this level unless a leak is found or until the VENT pushbutton is pressed.
- 11 When leak testing has been completed, pressing and holding the VENT pushbutton (the default is for 1.0 second or may be programmed by the user - the D3 time interval) closes all vacuum system valves except for the foreline valve, opens the vent valve and vents the test port and test object.

2.6 Sniff Testing

Sniff Testing is performed by checking for escaping helium in a test object already filled with helium gas. Sniff testing is unique in that:

- 1 Leak detection is performed through a small orifice (a sniffer probe) that is attached to tubing that is then connected to the leak detector, and
- 2 The test object itself is not evacuated during testing.

By passing the sniffer probe over a suspected leak, outflowing helium from the test object is drawn into and measured by the system. This type of testing is most useful when testing large objects (e.g., large tanks) or when testing items that cannot withstand internal vacuum. Note that this type of testing is the least sensitive the Spectron 600 performs, a sniffer probe ultimately draws in some surrounding air which acts to dilute the helium leak tracer. Also note that sniffing is primarily a qualitative form of testing rather than a quantitative test; it is best used for locating leaks rather than measuring them.

The procedure for Sniff Testing is as follows:

- 1 Remove the plug that covers the sniffer port. Install the sniffer assembly.
- 2 On the Service Panel press the SNIFF momentary switch. The Sniffer indicator light is now lit.
- 3 The Automatic ranging mode indicator is also lit. If the manual ranging mode is needed, press the Automatic/Manual Ranging button and set the expected leak rate range with the arrow keys. In either case, the unit will be able to test leaks within the 10^{-3} to 10^{-8} std cc/sec range.
- 4 Press the START pushbutton. The filament will be momentarily extinguished while the sniffer is evacuated and the Spectron 600 crosses over into sniffing mode.
- 5 When the green Start light is illuminated, the unit is ready for testing. Using the probe, examine the test object for leaks.

2.7 High Sensitivity Power Sniff Testing

High Sensitivity Sniff Testing is similar to the sniff testing procedure (above) except:

- 1 The sniff probe and assembly is connected through the test port instead of a dedicated "sniff" port.
- 2 Provides for greater sensitivity during testing.
- 3 Uses the Reverse flow mode rather than the Sniffing mode.

The procedure for High Sensitivity Sniff Testing is as follows:

- 1 Remove the NW25 blank that covers the test port. Install the sniffer assembly with the NW25 adaptor.
- 2 Make sure that the Spectron 600 is in the Standard mode, not the Sniff mode.
- 3 Select either Automatic or Manual ranging. If Manual ranging is chosen, set the Spectron 600 for the 10^{-9} range or higher; do not set it for the 10^{-10} range. In either case, the unit will be able to test leaks within the 10^{-4} to 10^{-9} std cc/sec range.
- 4 Press the START pushbutton. If the unit is set for Automatic ranging, it will range down to the level of the ambient helium. This background may be "zeroed out" for high sensitivity sniffing by pressing the "ZERO" pushbutton).
- 5 The unit is now ready for testing. Using the probe, examine the test object for leaks.

NOTE:

The Spectron 600 will remain in the Reverse flow mode when sniffing through the test port. The pressure in the sniffer probe will prevent the unit from crossing over into the Direct flow mode.

2.8 Shut Down Procedure

The Spectron 600 may be shut down at any time by pressing the on/off (I/O) switch to the off (O) position. The unit automatically ensures that the vacuum system and system electronics are properly powered down. Turn off all peripheral equipment (i.e., external rough pump, printer, etc.).

2.9 Setting Test Parameters

This section describes the testing parameters that may be modified by the user before and during actual leak testing, the function of the parameters and exactly how they may be adjusted. For most of the following test parameters, the factory default settings will be more than sufficient. However, specific tests may eventually require changes in these settings in order to optimally match any unique requirements of the test object.

The adjustable test parameters consist of various methods for the selection and timing of the opening and closing of the Spectron 600's vacuum system valves (as controlled by the system computer). The purpose of these timing adjustments and their settings are explained below. Please also refer to Chapter 3, **Theory of Operation** for further information.

Setting Crossover 1

The Spectron 600 has two specific and important setpoints while leak testing. During testing, as the unit ranges downward, different testing modes are required. Crossover 1 is defined as the setpoint (the point during pump down) where the unit switches from its "Gross Mode Testing" to "Reverse Mode Testing". All Gross Mode testing is performed in conjunction with the optional external pump. When using an external pump, the unit determines that the leak is smaller than a "gross" leak, the external roughing valve is closed and the unit's testing mode "crosses over" into intermediate or **reverse flow** testing. When the unit is used without an external pump, "crossover" is the point when roughing of the test object ends and reverse mode testing begins.

To reset the Crossover 1 parameter:

- 1 Press either SELECT arrow key until the green indicator next to the Crossover 1 is lit.
- 2 The Service Panel alphanumeric display will display a number up to 2,000 indicating the crossover setpoint in milli Torr (mTorr) or millibar. One mTorr is equal to 1×10^{-3} Torr. One millibar (mbar) is equal to 1×10^{-3} bar. The default value is 500 mTorr.

- 3 To alter the Crossover 1 setpoint, press either of the "SET" arrow keys. The alphanumeric display will change either down or up in correspondence with the number of keypresses of the left or right arrow keys. If a user tries to alter a setting outside of its allowed range, the piezoelectric beeper within the unit will emit a short sound. Once the Crossover 1 entry has been altered, it will remain at the new setting until it is altered once again. If testing is interrupted by an ERROR 01 or ERROR 05, Crossover 1 has been set too high for this application and should be lowered.

Setting Crossover 2

The second "crossover", Crossover 2 is defined as the setpoint (the point during pump down) where the unit switches from its "Intermediate (Reverse) Mode Testing" to "Fine (Direct) Mode Testing." When the unit determines that the leak is smaller than an "intermediate" leak, the fine valve opens, the internal rough valve closes and the unit "crosses over" into fine (or direct) flow testing.

To reset the Crossover 2 parameter:

- 1 Press either "SELECT" momentary switch until the green indicator next to the Crossover 2 is lit.
- 2 The Service Mode alphanumeric display will display a number (between 1 and 75 for the 600T, 1 and 150 for the 600D) indicating the crossover setpoint in milli Torr (mTorr) or millibar. One mTorr is equal to 1×10^{-3} Torr. One millibar (mbar) is equal to 1×10^{-3} bar. The default crossover value is 25 mTorr.
- 3 To alter the Crossover 2 setpoint, press either of the "SET" momentary switches. The alphanumeric display will change either down or up in correspondence with the number of keypresses of the left or right arrow keys. If a user tries to alter a setting outside of its allowed range, the piezoelectric beeper within the unit will emit a short sound. Once the Crossover 2 entry has been altered, it will remain at the new setting until it is altered once again. If testing is interrupted by an ERROR 02, Crossover 2 has been set too high for this application and should be lowered. It may also help to increase the "D1" parameter, "Fine Crossover Delay."

Setting the Accept/Reject Point

The Accept/Reject setpoint is the designated leak rate value that indicates whether or not the leak rate of the test object meets or fails a predefined maximum leak rate standard. For example, if the accept/reject setpoint has been set to 5×10^{-5} std cc/sec, any test object that has a leak rate of less than 5×10^{-5} std cc/sec would fall below the setpoint (into the accept area). Conversely, any test object that has a leak rate of 5×10^{-5} std cc/sec or greater falls into the predefined **reject** leak rate area.

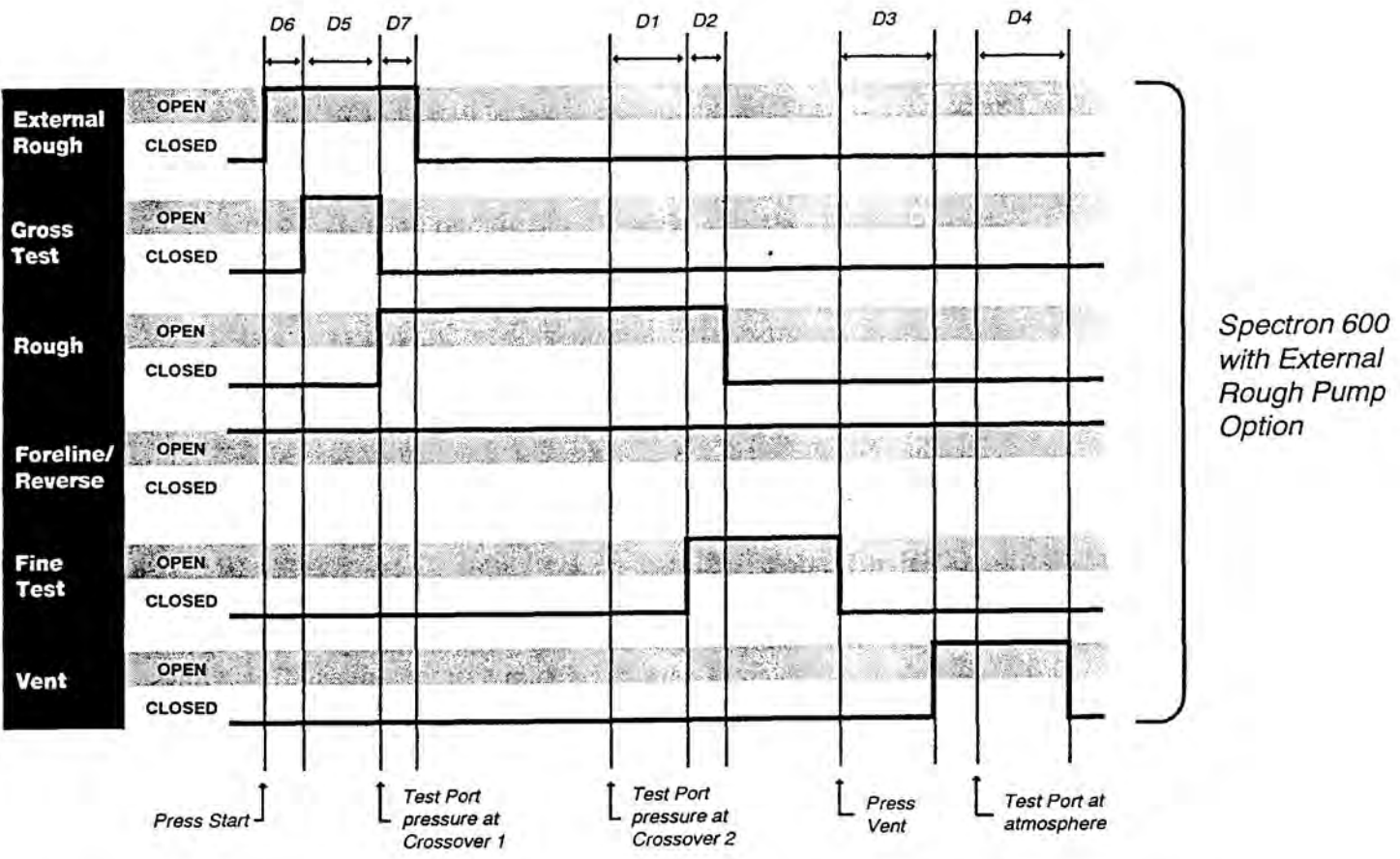
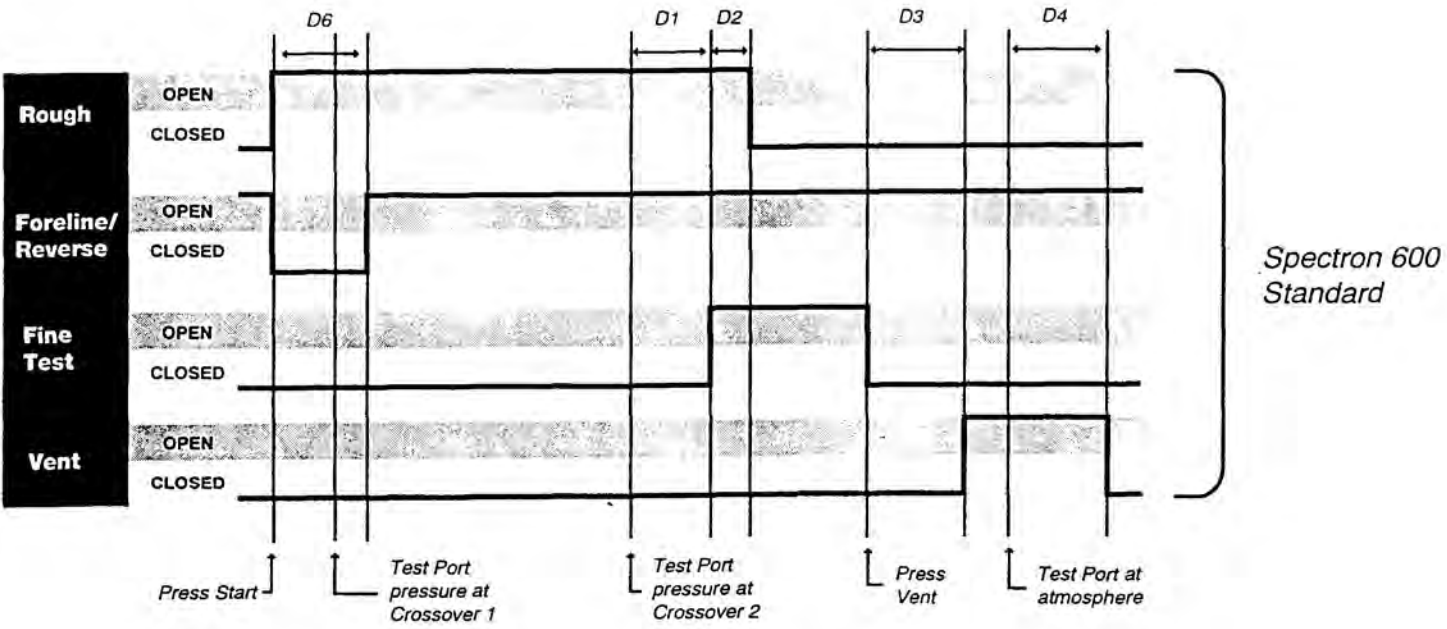
To set the Accept/Reject setpoint:

- 1 On the Service Panel Press either "Select" momentary switch until the green indicator next to the Reject Point is lit.
- 2 The Service Mode alphanumeric display will display the current Accept/Reject setpoint.
- 3 To alter the Accept/Reject setpoint, press either of the "SET" momentary switches. The alphanumeric display will change either down or up in correspondence with the number of keypresses of the left or right switches. If a user tries to alter a setting outside of its available range, the piezoelectric beeper within the unit will emit a short sound. Once the Accept/Reject entry has been altered, it will remain at the new setting until it is altered once again.

Delay Settings (Valve Timing Settings)

The Spectron 600 provides the user with the capability to set time intervals between the opening and closing of certain vacuum system valves. This allows the user to customize testing cycles to the unique requirements of any test object. In order to properly optimize testing procedures, we recommend that the Spectron 600 operator review the third chapter of this manual, **Theory of Operation**, prior to altering the default valve timing settings.

The Valve Timing Schematic (*illustrated in Figure 2-4*) displays the relationship between the opening and closing of the internal vacuum system valves. Also displayed in the schematic are the user-adjustable time delays of the rough, fine and vent valves and how they impact the test cycle.



- D1: Fine Crossover Delay
- D2: Direct Rough Close Delay
- D3: Vent Open Delay
- D4: Vent Duration
- D5: Minimum Gross Time
- D6: Minimum Rough Time
- D7: Reverse Rough Close Delay

Figure 2-4
Spectron 600 Valve Timing Diagrams

The ways in which delay settings may be used to benefit certain testing conditions are described below:

D1/Fine Crossover Delay: Occurs after Crossover 2 has been reached and refers to the delay (in seconds) between the attainment of Crossover 2 and the onset of Direct (Fine) testing (the opening of the fine valve). With D1 at the factory default setting (1.0), the Fine valve will open 1.0 seconds after the Crossover 2 setpoint has been reached, the Spectron 600 remains in Reverse flow testing for the duration of D1.

Note that if the Spectron 600 is set for Manual ranging on the 10^{-10} range, the unit will remain in the roughing state after reaching Crossover 2 for the duration of D1.

The ability to delay the actual crossover is useful for testing objects greater than one liter or when the test object has a high outgassing rate. The additional roughing of the test object prior to opening the Fine valve reduces the possibility of a crossover (pressure) burst and limits the chance of burning out the mass spectrometer filament. D1 may be set from 0.1 to 999.9 seconds.

D2/Direct Rough Valve Close Delay: Occurs when Crossover 2 has been reached; represents the amount of time (in seconds) that the Rough valve remains open after the Fine valve opens (the Rough valve needs to be closed so that Fine Testing may occur). With D2 at the factory default setting, the Rough valve closes 0.1 second after the Fine (Direct) valve opens (i.e., after Crossover 2 setpoint has been reached). D2 may be set from 0.1 to 999.9 seconds.

If the test object has a large volume, or the test material produces a larger than normal amount of outgassing, it will probably be helpful to increase this delay limit in order to limit the pressure burst that occurs during crossover.

D3/Vent Delay: The Vent Delay is the period of time (in seconds) that the Spectron 600 operator must hold down the "VENT" pushbutton before venting of the test object will proceed. The delay is useful to prevent accidental venting of the system. The factory default for D3 is 1.0 seconds. This duration is usually sufficient to prevent accidental activation of the vent cycle. The vent delay may be programmed from 0.1 to 999.9 seconds.

D4/Vent Duration: Vent Duration refers to the amount of time (in seconds) that the Vent valve will remain open after the test port pirani gauge indicates that atmosphere has been reached. D4 is adjustable between 0.1 to 999.9 seconds (the factory default setting is 1.0 seconds) allowing the operator to optimize the venting of a particular test object.

D5/Minimum Gross Testing Time: Sets the minimum amount of time that the Spectron 600 will remain in the Gross test mode. Operator adjusts D5 to prevent unit from auto ranging and crossing over into Reverse flow mode before a gross leak is detected. Useful when testing large parts that may have long helium response time. D5 can be set from 0.1 to 999.9 seconds (the factory default setting is 1.0 seconds).

D6/Minimum Rough Time: Specifies minimum amount of time that Spectron 600 will remain in Roughing state before crossing over into a testing state. Useful for testing parts with high gas load which require extended pumping. D6 can be set from 1.0 to 999.9 seconds (the factory default setting is 1.0 seconds).

D7/Reverse Rough Close Delay: Keeps external rough valve open for specified amount of time after reverse flow valve has opened. D7 can be set from 0.1 to 999.9 seconds (if set to 999.9 seconds, external rough valve will remain open for entire duration of Reverse Flow testing). The factory default setting for D7 is 1.0 seconds. D7 is active only on units equipped with the external rough option.

Changing Delay Settings (D1-D7)

All delay settings may be altered by the operator via the Spectron 600 User Panel using the same basic procedure, as follows:

- 1 On the User Panel, press either SELECT momentary switch until the green indicator next to the word **Delay** lights (see User Panel diagram, figure 2-2).
- 2 The alphanumeric display will show the first delay parameter, **D1** and the currently selected delay interval for D1 (for example, a display of **D1 0.5 S** indicates that the Fine Crossover Delay is set to **0.5 seconds**).
- 3 The delay interval can now be increased or decreased by pressing the SET keys until the desired setting appears.
- 4 To display **D2** through **D7**, continue pressing the same SELECT momentary switch; the indicator light will not move to the next function (in this case, EMISSION) until all seven delay parameters have been cycled. When the desired delay parameter appears in the alphanumeric display, it can be adjusted as in Step 3.

2.10 Setting Additional Parameters

Amplifier Gain

When this function is selected, the alphanumeric display indicates the gain setting of the leak rate amplifier (from 0.1 to 10.0). The amplifier gain is the multiplier used by the computer to compensate for changes in sensitivity of the mass spectrometer. The user will only use this function when calibrating using a known external leak source or when unable to otherwise properly calibrate the unit.

Three separate gains are available:

- G1** refers to the gain while the unit is in **gross flow mode**
- G2** refers to the gain while the unit is in **reverse flow mode**
- G3** refers to the gain while the unit is in **direct flow mode**.

To alter the Amplifier Gain settings:

- 1 While in Service Mode, press either SELECT key on the User Panel until the indicator light beside AMP GAIN is illuminated. Continuing to press the same SELECT key will display each gain parameter (G1 - G3) in sequence before the indicator moves to the next function (in this case, ANODE VOLT).
- 2 When the desired gain parameter is displayed, press either the left or right SET key to decrease or increase the Amplifier Gain.

NOTE

G1 (Gross Mode gain) may be set in the Standard mode when the Spectron 600 is leak testing in a gross mode range.

G2 and **G3** are normally set by the unit's computer so it may properly calibrate the unit. When in Service mode, If the operator changes the gain, the calibration will no longer be correct. However, **G1** is always set by the user.

Anode Voltage

Displays the anode voltage of the mass spectrometer source. When this function is selected while the unit is in Standard Mode, and then subsequently pressing either SET momentary switch, the Peak Scan function will be activated (see

below). When the unit is in Service Mode, pressing either of the SET switches alters the unit's peak voltages and allows the user to manually tune the mass spectrometer.

Helium/Air Measurement

This toggle switch allows the user to select either air equivalent or helium leak rate readings. This function is only available in Service Mode.

Mass 3/4 Helium

This toggle switch allows the Spectron 600 to switch between Mass 3 and Mass 4 tuning voltages. This function is only available in Service Mode.

2.11 Test Aids & Procedures

Using the Handheld Remote

The controls and indicators of the Handheld Remote include the leak rate measurement displays, ranging functions, and the Start and Vent functions. The remote itself is physically attached to the unit, via a coiled cable that is connected to the Remote Port, located below the rear panel of the leak detector.

The remote is automatically activated when connected to the Remote Port. Note that use of the handheld remote does not in any way effect usage of the User Panel nor the remote computer (if installed).

Auto Zero

The "Auto-Zero" or "Zero" feature, activated from the User Panel, allows the unit's operator to test with the presence of residual helium. Pressing the ZERO button will cancel out the measurement of any helium present in the vacuum system or test object (the unit will display the amount of helium above the "zeroed out" amount).

The Zero function works in all test modes (Gross, Intermediate and Fine, and also when using the Sniffer Assembly). When activated, helium present and being measured in the vacuum system is "zeroed" out on the leak test gauge graph and therefore not counted as part of the test.

When the Zero function has been activated, leak test measurement is automatically restricted to one decade below the range active when the Zero button was pressed. When auto-ranging, the unit will automatically stop one decade below

the point when the Zero button was pressed. When manually ranging, the unit will emit a short beep whenever the user attempts to range more than one decade below the point when the Zero button was pressed.

Note that when the Zero function is activated, it does not inhibit ranging upward during testing. The Zero function is canceled at the end of a test cycle (i.e., when the VENT button is pushed); it can also be cancelled by halting the test cycle (pushing the START button a second time).

Peak Scan

Peak Scan is a function the operator of the Spectron 600 can use to quickly verify that the unit is operating correctly. By using this function while in Standard Mode, the user will be able to ascertain whether the leak rate indication is due to either helium or is the result of a poorly tuned spectrometer.

By changing the function on the Service Panel to Anode Voltage while still in Standard Mode, and by then pressing either the left or right SET buttons, the user will temporarily alter the spectrometer peak tuning voltages either -30 or +30 volts from their prior position (releasing either button will return the voltages to their normal condition). If this is done to an optimally tuned spectrometer, the displayed leak rate (due to either background helium or helium from a calibrator) will decrease to zero indicating that the measurement is actually due to the presence of helium. Both SET buttons should be used for this test.

If the displayed leak rate does not decrease to zero after either set button is pressed, the spectrometer is not tuned and the TUNE function (see below) must be initiated to retune the mass spectrometer.

Calibration Check (Cal-Check)

Cal-Check is the feature that allows the user to verify the measurement accuracy of the Spectron 600 leak detector. The unit automatically connects the internal leak rate standard of the unit to the test port, measures the internal calibrator, subtracts the background helium measurement and displays the results on the Leak Rate Bar Graph located on the User Panel. The Cal Check function is activated by pressing the CAL CHECK momentary switch on the Service Panel.

When the indicator on the Cal Check momentary switch begins flashing, the Spectron 600 has completed its measurement cycle and the Cal-Check reading from the User Panel should now be compared to the display on the Service

Panel. The alphanumeric display of the Service Panel indicates the calculated temperature compensated value of the internal leak rate standard. The leak rate bar graph indicates the measured value of the internal calibrator.

The unit is considered to be measuring accurately whenever the two readings are within 10% of each other. If the difference between the two readings is greater than 10%, the measurement gain may be adjusted by pressing the CAL (Calibrate) button (see below) or the leak detector may be retuned and recalibrated by pressing the TUNE button (again, see below). If the two readings are within 10%, pressing the Cal Check momentary switch ends the Cal-Check cycle.

NOTE

During the warm-up period of the unit (approximately one-half hour), the leak detector's calibration will not be as accurate as during normal operation. When using the Spectron 600 during warm-up, perform the Cal-Check function to ensure the integrity of the unit's measurement accuracy.

Calibration (Cal)

The Calibration function is activated by pressing the CAL momentary switch.

The Calibration function of the leak detector is available only after the Cal-Check procedure has been completed. After the Cal-Check cycle is completed, when the actual leak rate measured by the unit is close to, but not exactly the same as the internal leak rate standard, the Calibration function may be used. Since the Calibration function adjusts the amplifier gain, once initiated, the leak check of the Cal-Check function will now conform to the internal leak rate standard. Note that consistent differences greater than 15% may indicate an improperly tuned mass spectrometer or a fault within the unit.

Tune

Pressing the TUNE momentary switch initiates an automatic tuning cycle. During the tuning cycle, voltages applied to the mass spectrometer are adjusted and optimized for peak sensitivity and performance. It is recommended that the Tune function be used in conjunction with the Cal-Check function. Since the Calibration function basically increases or decreases the measurement gain of the unit, without the optimization of the Tune function, the unit eventually may not be able to self-calibrate.

Auto Tune Alert

When **Auto Tune Alert** is enabled, the user is reminded to Auto Tune the leak detector every 50 hours or whenever system gains **G2** and/or **G3** rise above 7.5. When an Auto Tune Alert condition exists, the leak detector's alphanumeric display indicates PLS TUNE and the READY light flashes.

If the Auto Tune Alert is triggered by the end of a 50 hour interval, the user may either Auto Tune the leak detector (by depressing the TUNE key on the user panel) or ignore the alert and continue testing. To continue testing, press the ZERO button on the user panel. This resets the 50 hour alert timer to **0.0** hours; the alert will not be displayed again until another 50 hours have elapsed.

If, upon conclusion of an Auto Tune or a Calibration cycle, system gains **G2** and/or **G3** exceed 7.5, the Auto Tune Alert will appear. In this circumstance, the user cannot continue testing without first performing an additional Auto Tune. The leak detector will "beep" until the Auto Tune is initiated.

If system gains of greater than 7.5 persist after the second Auto Tune, the Auto Tune Alert will reappear. This is a possible indication that the leak detector's mass spectrometer has become contaminated and needs to be cleaned. It may also be caused by a failure of either the mass spectrometer source or collector, in which case the failed component should be replaced (*see Chapter Four, Service and Maintenance*).

Another possible cause of high gains is high system background. Background can be eliminated by purging the system or changing the oil in the unit's internal mechanical pump (Spectron 600T only).

NOTE:

The Auto Tune Alert is enabled by setting Profile Switch #4 on the 'A' circuit board to the down position. If the Auto Tune Alert signals due to a gain greater than 7.5, and the user wishes to continue testing, the feature may be deactivated by moving Profile Switch #4 into the up position (although this is not recommended). Please refer to Appendix E for the location and description of the Profile Switches.

Automatic Auto Tune

When **Automatic Auto Tune** is enabled, the leak detector will automatically Auto Tune each time it is powered-up. Once the Auto Tune is completed, testing may commence. Pressing the TUNE button on the user panel at any time during the Auto Tune cycle will terminate the Auto Tune.

NOTE:

Automatic Auto Tune is enabled by setting Profile Switch #3 on the 'A' board to the down position. Moving Profile Switch #3 into the up position will disable the Automatic Auto Tune feature. Please refer to Appendix E for the location and description of the Profile Switches.

CHAPTER THREE

Theory Of Operation

3.1 Introduction: Leak Detection Theory

When designing and manufacturing systems that contain gases or fluids, or systems that are normally evacuated, the manufacturer or tester must take into account the degree of leakage that can occur. To qualify these products, various methods may be selected to test these products for leaks. The amount of actual leakage that can be tolerated is different for every application and therefore must be determined from the conditions of the application itself. From this data the manufacturer will be able to establish the limits of maximum permissible leakage standards and will also be able to determine the maximum permissible pressure levels within a product or system under actual working conditions. Further, the manufacturer will need the ability to discover and localize any leaks in the product or system tested. In all cases, the maximum allowable leak rate, as well as the testing methods and procedures, should be specified before a product or system is manufactured.

Many commercial, industrial and military products and processes require hermetic sealing. In general, these products include equipment exposed to pressures above or below those of its immediate environment, vacuum equipment used in the manufacture of semiconductors and related research, and items produced for industrial and commercial applications, most notably the refrigeration and automotive industries. Hermetic tightness (sealing) is narrowly defined as the absence of leakage, however, no manufactured object can be considered leak tight. Statements such as "no detectable leaks" or "zero leakage" are not valid specifications for acceptance testing. Even in the absence of defect within a product or system, gas will always permeate through metal, crystals, polymers and glasses. Therefore, "leak tightness" is only a relative term.

The degree of permissible leakage depends on how and where the product or system is to be used, the amount of the object's content (liquid or gas) that is permitted to escape over a certain time period, or the amount of external atmosphere or liquid that is permitted to penetrate the object over a certain time period. The size of the permissible leak is defined as part of the performance requirements of the product or system. Leak standards are set for the following reasons:

- To prevent the loss of contained gases or liquids
- To prevent hazards caused by escaping toxic materials
- To prevent contamination due to materials leaking from or leaking into an object
- To test the projected reliability of sealed systems or the components within the systems.

When setting the limits of allowable leakage, it is always necessary to set a practical leakage level for the product under testing. Decreasing the permissible leak rate below a practical level and increasing the sensitivity of the required test method only brings with it an unnecessary increase in the time required and the cost of performing a test.

Leak testing is divided into two general categories, Leak Measurement and Leak Location.

Leak Measurement is the quantified assessment of an object's or system's leak rate and is also the preferred method of determining that a leak does exist. **Leak Location** is the procedure of pinpointing the precise location of individual leaks. When testing an object, the most reliable sequence is to first measure the total leakage of a test object, then, if necessary, determine the location of individual leaks.

A leak rate specification should take into account the effect of leakage on the system and its application. Long term storage of the object or system may be necessary and should be considered when creating a leakage standard.

Any leak detection procedure requires careful planning. Ample consideration to test sensitivity and response time is required when testing any object. At times, it may be preferable to specify a maximum tolerable leakage rather than specifying a maximum allowable leak rate. The maximum tolerable leak rate may be calculated by multiplying the maximum allowable leak rate by the length of time a system or object is expected to be used (including storage time). If a gas or liquid is not introduced to the system or object until it becomes operational (at some future date), the maximum tolerable leakage need be only specified for the duration of its operation. The level of the maximum tolerable leakage should always be specified when the total amount of leakage is more important than the leak rate.

A commonly used method for determining the maximum allowable leak rate is derived from the consideration of leaks in the following situations:

- System failure during the operational life of the system
- Hazards to personnel and equipment when leaks occur
- Unacceptable appearance of the system
- Assurance of proper design and construction of the manufactured equipment.

When considering these four factors, when determining system specifications, the smallest leak rate will be the maximum allowable leak rate. If the content of the test object is liquid, it is necessary to correlate the maximum liquid leak rate to the leak rate of helium. Once the maximum leak rate of the liquid in the test object has been calculated, it is very simple to conduct an accurate leak test for an object designed to contain liquid, since a calibrated helium gas standard is an integral part of the Spectron 600.

Of all the instruments and devices used for leak detection, helium-sensitive mass spectrometer based leak detectors such as the Spectron 600 have been proven to be by far the most sensitive and accurate. Further, this type of unit is generally easily calibrated, does not require operator judgement to be used effectively, and most importantly, is not destructive or harmful to test personnel or the tested object.

...

The remainder of this chapter describes in detail the operation of the Spectron 600 portable leak detector. It is divided into a discussion of direct and reverse flow modes, a functional description of the leak detector and a description of the major components and their functions within the Spectron 600.

3.2 Direct Flow & Reverse Flow Modes

NOTE

Refer to the 600D addendum for information on selecting Product Testing or Process System Testing modes on the Spectron 600D

The Spectron 600 is capable of detecting leaks in three separate ranges: gross mode range, intermediate mode range and fine mode range. The gross and intermediate modes use a form of detection known as "Reverse Flow" while the fine mode uses a form of detection known as "Direct Flow." All flow modes are controlled directly and automatically by the Spectron 600's computer.

Reverse Flow:

The Reverse Flow Mode is particularly useful for detecting and measuring leaks in test objects that have a high degree of outgassing or when a fast crossover at a high test port pressure is desired. In this mode, testing for "Gross" leaks is accomplished by connecting the external roughing pump to the vacuum system, opening the external rough valve, the foreline valve and the gross valve. All other valves are closed. The test port is connected to the foreline of the turbomolecular pump through a restriction. This allows the sample helium to back-diffuse through the pump. When testing in reverse mode, the foreline pressure is usually in the 10^{-3} Torr range or greater, the turbomolecular pump actually acts as a buffer against pressure bursts into the high vacuum region (the area containing the mass spectrometer). Therefore, crossover can occur at much higher pressures in reverse flow mode than in direct flow mode. For the Spectron 600, the Gross Mode Leak Range is defined as 10×10^0 to 1×10^{-3} std cc/sec.

Without an external pump, Gross Mode is not available. If the unit is unable to pump down the test object to a sufficient level to begin testing in the unit's "intermediate" or reverse flow mode, actual leak testing will not begin. The unit will remain in its roughing state until the operator cancels the test cycle. Since the maximum crossover for the Spectron 600 is quite high, this may be an indication that the test object has a very large leak.

The unit's intermediate mode also uses Reverse Flow Mode testing. When the test port pressure reaches the pre-designated "crossover" setpoint (1,000 mTorr maximum) the unit will "crossover" to "intermediate mode" testing (the actual point of crossover may be set by the system operator). At crossover, the foreline valve opens, the internal rough valve remains open, while all other valves are closed. Gases from the test object are introduced into the foreline of the turbomolecular pump, and "back-diffuse" through the pump. As in gross mode testing, the turbomolecular pump acts as a buffer against pressure bursts into the

high vacuum region (the area containing the mass spectrometer). For the Spectron 600, the Intermediate Mode Leak Range is defined as 10×10^{-4} to 6×10^{-10} std cc/sec.

Direct Flow:

The Direct Flow Mode is suited for testing parts that have a leak rate specification less than 6×10^{-10} std cc/sec, or when testing objects that are clean, dry and cannot tolerate exposure to backstreaming of molecular oil during testing. In this mode, the test object is directly connected to the high vacuum section and therefore the mass spectrometer. This allows for much higher sensitivity and ultra-clean testing in comparison with the reverse flow mode, but requires a much lower crossover pressure.

In the Spectron 600 direct flow mode testing is also known as Fine Mode testing. During Fine Mode testing, the fine valve and foreline valves are open. All other valves are closed. Crossover takes place when the test port is at approximately 75 mTorr for the 600T (150 mTorr for the 600D) or less, as adjusted by the system operator. The fine mode test leak range is between 10×10^{-5} to 4×10^{-11} std cc/sec.

NOTE

Once the Spectron 600 has crossed over into its direct flow mode, and needs to range upward, it will stay in this mode until it reaches the top of the 10-5 range.

3.3 Functional Description of Operation

The Spectron 600 Portable is a helium based mass spectrometer leak detector that may be used for both quantifying and locating leaks in objects that can be evacuated or pressurized. Helium that is present in a test object is drawn into the unit (either through the test port or through the sniffer valve), isolated and detected by a mass spectrometer, and converted into an electric signal. The electric signal generated is proportional to the leak rate of the helium drawn through the leak found in the test object. Once this signal is amplified, the signal is displayed as a leak rate on the User Panel of the Spectron 600.

Helium is used as a tracer gas because of its unique combination of properties:

- Helium is present in the atmosphere at a rate of only 5 parts per million, therefore it is unusual to find a high atmospheric background of helium that may disrupt testing
- Helium is neither explosive nor toxic it is completely inert and will not contaminate a test object
- Helium does not contaminate or desensitize its own detector as is common with detectors using other tracer gases
- Helium molecules are small (mass 3 or 4 helium may be used for the Spectron 600) and therefore flow readily through extremely small leaks.

The operation of the Spectron 600 is discussed below. The operator of the unit should use this information in conjunction with the unit's Vacuum Schematic (as illustrated in Figure 3-1). The description follows the sequence of a basic test cycle. A test cycle is started by connecting a test object to the test port (or by connecting the sniffer assembly to the sniffer port) and by pressing the START button.

Prior to testing ensure that the unit is in its functional READY state. The START-UP procedure is described in Section 2.3. When the unit is ready for testing, the vacuum system will have the following status:

- 1 The internal mechanical pump and the turbomolecular pump will be functioning; the external mechanical pump will also be functioning (if installed).
- 2 The foreline valve will be open; all other valves will be closed.
- 3 The "Hi-Vac" system will be fully evacuated by the turbomolecular pump.

3-7

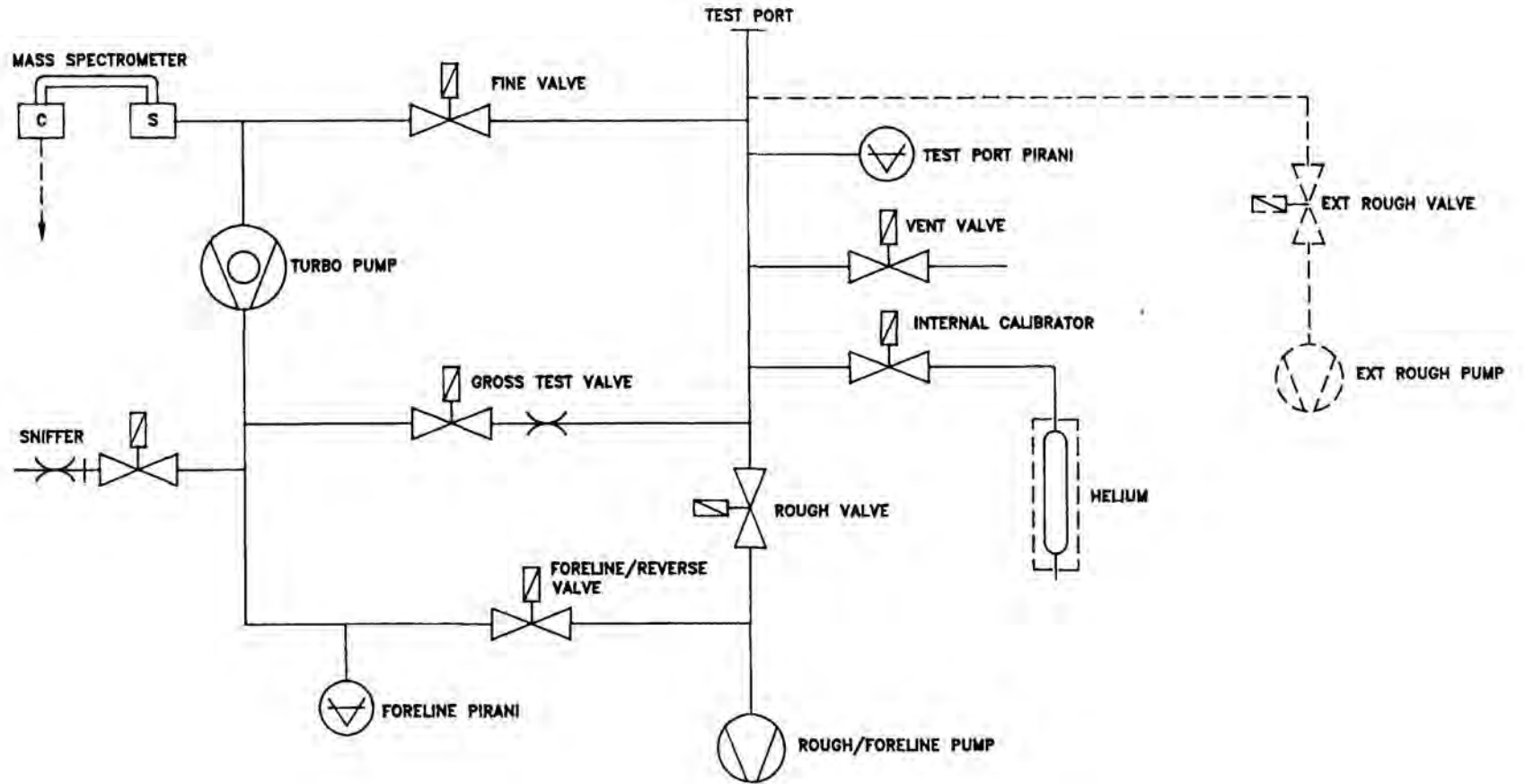


Figure 3-1
Spectron 600 Vacuum System Schematic Diagram

Pressing the START pushbutton opens the rough valve. The internal rotary vane mechanical pump (the roughing pump) or the external roughing pump (when equipped with the unit) will begin to evacuate the test object. The falling pressure within the test port and test object is monitored by a pirani gauge attached to the test port.

In systems without an external roughing pump, the internal mechanical pump serves as both the roughing and foreline pump. Consequently, during the roughing state, the foreline is not being serviced.

The Spectron 600's computer monitors foreline pressure using its foreline pirani gauge. If foreline pressure reaches 1,000 milliTorr, the Spectron 600 computer will stop the roughing cycle by closing the internal roughing valve, opening the foreline valve and servicing the foreline. When foreline pressure has been reduced to 150 milliTorr, the roughing cycle is resumed.

Testing begins once the pressure at the test port reaches the pre-set crossover setpoint for the appropriate test mode.

The sample gases of the test object disperse throughout the confines of the hi-vac system. As gas molecules enter the ion source chamber of the mass spectrometer, an electrically heated filament provides a source of electrons that collide with the gas molecules and produce positively charged ions. The production of these ions is referred to as ionization. Due to the differences in mass of the ionized gases, only helium ions have the ability to traverse the two 90° magnetic sections of the spectrometer housing to the collector. It is at the collector that the ions are converted into electrical current and processed by the Spectron 600 computer for display on the User Panel. The Spectron 600 has been programmed with the ability to test using either Mass 3 or Mass 4 helium.

When the unit is equipped with an external mechanical pump, once Gross Mode operation is complete (assuming a leak has not been discovered) the unit "crosses over" into intermediate mode (reverse flow) testing. In the vacuum system the internal rough valve is opened and the foreline valve remains open. All other valves are closed. During crossover, the equalization of pressures may cause a temporary increase in foreline pressure. This increase is termed a **burst**. Measured by a pirani gauge in the foreline, if the burst causes the foreline pressure to increase to over 2,500 milliTorr, the test cycle will be aborted and ERROR 05 will be posted. If a burst causes foreline pressure to increase to over 4,000 milliTorr, the filament will be turned off, all valves except the foreline will be closed, the turbo pump will be turned off, and ERROR 01 will be posted (see Error Codes in section 4.10 for further information). The crossover pressure

(Crossover 1) should be adjusted by the user to provide the shortest possible test cycle duration without producing excessive pressure bursts into the foreline region of the unit. Note that since foreline tolerance is very high, the usual result of the increase of foreline pressure will be a variable background reading.

Once Intermediate Mode operation is complete, the Fine (Direct Flow) Mode testing begins. Within the vacuum system, the fine valve is opened while the rough valves close. At this point the test port is fully connected to the high-vacuum section. The equalization of the two pressures will cause a pressure burst in the high-vacuum section. If the burst is over 5×10^{-4} Torr, the mass spectrometer filament will be turned off for 10 seconds and ERROR 02 will be posted. The system will then turn the filament back on and attempt to resume testing (see Error Codes, section 4.10, for further information).

To prevent an excessive pressure burst, the test port may be evacuated for a longer period by lowering the crossover pressure (Crossover 2 - refer to Section 2.7 for information on how to adjust this parameter) or by changing the "delay" setting (refer to Section 2.7 for detailed information on delay parameters). In this case, delay refers to either delaying the opening of the fine valve (the direct gateway between the high-vacuum section and the test port) or the closing of the rough valve (allowing further evacuation of the test port/test object area). Optimizing these two parameters allows the user to shorten the test cycle while still being able to safely operate the unit.

Often the setting of delays will depend on the size of the test object. Smaller, cleaner objects will tend to produce small pressure bursts and therefore use relatively high crossover setpoints, larger, dirtier objects tend to produce larger bursts that can be prevented by extending the roughing time by delaying the onset of Fine Mode testing.

After Crossover 2 has been reached, and the unit is in the Fine testing mode, pressure in the test object continues to be reduced until it is equalized with the high-vacuum section. Concurrently, the Spectron 600 ranges downward to the ultimate Direct Flow sensitivity of 6×10^{-11} std cc/sec, unless a larger leak is found.

After the leak (or leaks) in the test object is/are found and quantified, the test is terminated by pressing either the VENT or START pushbuttons. The unit's computer will then close either the fine, rough or gross valve (dependent on the current testing mode). Note that once the START pushbutton is pressed, the unit is placed in its STANDBY mode (without any venting the test port). If the VENT button is depressed for a period of time (as adjusted by the user, see Section 2.7 for instructions on setting this "delay") the unit will open the vent valve. The opening of the vent valve allows the test object to be brought to

atmosphere, thereby allowing it to be removed from the leak detector's test port. The duration of venting is also adjustable (again see Section 2.7 for instructions on setting the delay of the venting period). If the ambient air in the testing area has a high moisture content, it is advisable to vent the unit with dry nitrogen. Using dry nitrogen prevents water vapor from collecting in the unit, which then must be pumped out during the next testing cycle.

The Spectron 600 is automatically tuned and calibrated by using the factory-installed temperature compensated helium standard, traceable to NIST, as a reference. During tuning, the unit's computer controls the vacuum system's valves and adjusts the various voltages of the mass spectrometer to obtain an optimum response to the helium signal from the reference standard. After the voltages are optimized, the gain of the amplifier is adjusted until the displayed leak rate value corresponds to the temperature compensated value of the helium standard.

In the Sniff Test Mode, the sniffer port has a direct internal connection to the test port. The flow rate of the sniffed gases is limited by the size of the sniffer probe, sniffer assembly and most importantly the fixed leak in the sniffer probe.

In the event of a power failure, all valves within the vacuum system will automatically close. The mechanical pump will shut off, the turbomolecular pump will also shut off, however, it will take several minutes for the blades of the pump to stop spinning. When power is again available, the unit will automatically begin its normal "power-up" sequence. If, before the power failure, the filament was activated, the unit will power-up with the filament on. If the filament was off prior to power loss, the user will have to manually activate the filament (by pressing the FIL ON momentary switch located on the User Panel).

3.4 Description of Major Components

VACUUM SYSTEM

Mass Spectrometer: The mass spectrometer is the component of the vacuum system that detects the helium tracer gas present in the test object. The unit ionizes the gas molecules, separates the helium ions from other gas ions, and converts the helium ions into an electrical current that represents the size of the leak. The spectrometer consists of three parts:

- The gas to ion converter,
- The magnetic deflector assembly, and
- The ion collector.

Gas to ion converter (for ion production): To permit neutral atoms and molecules of gas to be separated by a magnetic mass spectrometer, they must first be converted to positively charged ions. Energy for this conversion is provided by the ion source. Inside of the ion source, there is an electrically heated filament that provides a source of electrons. As these electrons collide with gas molecules, they split off electrons from the gas molecules and therefore create positively charged gas ions. These ions then encounter the electrostatic fields, established within the ion source by the ion repeller, the ion chamber, the focusing plates and the object plate. The end-result of this arrangement is to accelerate the gas ions into a well defined, mono-energetic beam.

Magnetic Deflector Assembly (Ion Separation): Since the gas entering the spectrometer contains atoms and molecules of different kinds, the ion beam will likewise contain a variety of ions including nitrogen, oxygen, carbon dioxide, and, if a leak has been found, helium. Magnets are mounted on the outer portion of the spectrometer, outside of the vacuum system, and are used to create magnetic fields that are perpendicular to the beam of gas ions. A magnetic field causes the ions to deflect off their current trajectories, the amount of deflection depends upon the mass of the gas ion. Lighter ions such as hydrogen are deflected to a greater extent than heavier ions such as oxygen.

Two identical magnetic fields are used in the Spectron 600's mass spectrometer. The first magnetic field is organized so that only helium has the right mass to pass through the field and through the narrow opening in the baffle on the far side of the magnetic field. Most of the other ions will be deflected in a different direction (they will be either too heavy or too light) and will be intercepted by the baffle. A few of the non-helium ions will be able to pass through the baffle

(due to random scattering and bouncing of the ions within the mass spectrometer). Therefore, a second identical magnetic field and baffle is used again, which acts to virtually eliminate all ions except for helium ions. By using this construction of two separate magnets and baffles, helium is selectively transmitted to its target, while other gases, even if present in large quantities, are rejected.

Ion Collector: After the gas ions pass through the magnetic fields and baffles of the spectrometer, is a **slit plate** (a plate with a thin and narrow aperture). Behind this plate is a metal plate termed the **target**. As the helium ion strikes the target, the target becomes positively charged, causing an extremely small electron flow, as low as 1×10^{-15} amperes. The current flow is detected and magnified by an amplifier within the collector. The first stage of amplification is within the high vacuum environment to assure stability, minimize the time constant and reduce stray "noise" pick-up. The amplified signal is proportional to the partial pressure of helium within the source. This signal, the actual leak rate, is sent to the Spectron 600 computer for display on the User Panel.

VALVE BLOCK ASSEMBLY

The valve block assembly consists of:

- **Calibrator Valve (with Calibrator Assembly)**
- **Fine Valve**
- **Vent Valve**
- **Rough Valve**
- **Foreline/Reverse Valve**
- **Gross Valve**
- **Sniffer Valve**
- **Purge Valve**
- **Test Port**
- **Test Port Pirani**
- **Vent Filter**
- **Purge Hose Connection**
- **Sniff Hose Connection**
- **Internal Mechanical Pump flex Line**
- **Foreline "flex" Line**
- **Purge Sintered Filter**

Note that the external rough valve, while part of the vacuum system, is not located on the valve block.

Calibrator Valve: A three-way valve that connects the calibrator to the test port. With the use of a filter, this valve is also used to vent the calibrator to atmosphere.

Fine Valve: Connects the test port to the high-vacuum section (mass spectrometer housing). Open during Direct (Fine) Mode testing.

Vent Valve: Connects the test port to atmosphere through a sintered metal filter.

Rough Valve: Connects the inlet port to the internal mechanical pump for initial evacuation of the test object.

Foreline/Reverse Valve: Connects the foreline of the turbomolecular pump to the internal rotary vane mechanical pump and is also used in conjunction with the rough valve for reverse flow testing. This valve is always open on units equipped with an external roughing pump.

Gross Valve: Connects the test port to the foreline of the turbomolecular pump (through a restriction). Open during Gross Mode testing.

Sniffer Valve: Connects the sniffer port to the foreline of the turbomolecular pump. Open during sniff testing.

Purge Valve: Connects the gas ballast port of the internal mechanical pump (through polyflow tubing) to atmosphere through a sintered filter. Can be connected to dry nitrogen. Opening this valve assists in "purging" the system of trapped gases and "condensables" from the pump's oil.

Test Port: A standard NW-25 vacuum connection. Used to attach test objects to the Spectron 600.

Test Port Pirani: A pressure gauge that monitors the test port pressure from atmosphere to 10^{-3} Torr.

Vent Filter: A sintered metal filter that prevents particles from being drawn into the valve block during venting.

Sniff Hose Connection: 1/4" polyflow tube fitting and tubing. Connects the rear sniff QCF to the sniff valve.

Purge Hose Connection: 1/4" polyflow tube fitting and tubing. Connects the purge valve to the purge fitting on the internal mechanical pump.

Internal Mechanical Pump "Flex" Line: NW16 size stainless steel flex hose. Connects the valve block to the internal mechanical pump.

Foreline "Flex" Line: NW16 size stainless steel flex hose. Connects the valve block to the foreline of the turbomolecular pump.

Purge Sintered Filter: Prevents contaminants from being drawn into the internal mechanical pump through the purge valve.

PUMPS

External Roughing Pump: Optional equipment with the Spectron 600. A 7 or 16 cfm dual stage rotary vane (mechanical) pump. The pump is capable of reducing pressure from atmosphere to 10^{-3} Torr. Assists in providing a leak test range from 10 to 1×10^{-3} std cc/sec helium. The pump is necessary when testing large objects.

Internal Roughing Pump:

600T: Edwards E2M1.5 dual stage rotary vane (mechanical) pump.

600D: Dual stage diaphragm/drag dry pump. Enables the pumpdown of the test port and test object. Provides "backing" for the turbomolecular pump.

High-Vacuum Pump: Edwards EXT70 turbomolecular pump. In fine (direct) mode testing, the pump allows the Spectron 600 to measure leak rate ranges as low as 6×10^{-11} std cc/sec helium. In this mode, the test port is directly connected to the high-vacuum system.

When performing intermediate (reverse) mode testing, test port gases are channeled to the exhaust area of the turbomolecular pump. The spinning blades of the pump protect the mass spectrometer from these test port gases. Helium molecules however, due to their relatively small mass, are able to "back diffuse" through the blades of the pump. Since heavier gas molecules are trapped by the blades of the pump, only helium enters the high-vacuum system, where the mass spectrometer is able to accurately measure the leak rate.

GAUGES

Test Port Pirani: A gauge that measures pressures from atmosphere to 10^{-3} Torr in the test port.

Foreline Pirani: A gauge that measures pressure at the exhaust of the turbomolecular (high-vacuum) pump.

CALIBRATORS

The Spectron 600 uses three separate testing modes (gross, intermediate and fine) in order to test leak ranges between 10 std cc/sec to 6×10^{-11} std cc/sec.

Gross Mode: The gross mode calibration covers the range between 10 std cc/sec to 1×10^{-5} std cc/sec. The gross valve has a constriction that allows only a small percentage of the test port gas to enter the high-vacuum section and reach the mass spectrometer. If helium is detected, the signal is amplified (multiplied) by the Gross Mode Gain (G1) to correct the measurement. An external calibrator is required to perform this calibration.

Intermediate and Fine Modes: An internal calibrator that emits helium at a rate between 1×10^{-8} to 3×10^{-8} std cc/sec is standard equipment with every Spectron 600. External models of differing ranges are also available. Contact Edwards Instruments for further information.

ELECTRONICS

The Spectron 600's electronics consists of five separate circuit boards (labeled A through D):

- A board** - controls the unit's main processor, logic and sensors
- B board** - controls the unit's mass spectrometer voltage supplies
- C board** - controls the unit's displays and controls
- D board** - controls the unit's handheld remote (optional).
- CPU board** - mounts to the A board

CHAPTER FOUR

Service & Maintenance

4.1 Introduction

This chapter has been divided into three separate sections. The first section describes the different periodic and maintenance procedures required by the Spectron 600. The second section details vacuum system contamination, its causes and effects and the methods required to eliminate it. The third section provides information on identifying system faults and provides recommended corrections.

4.2 Service Mode

WARNING!

Only qualified service personnel should operate the unit when either the front or rear panels are open. Potentially lethal high voltages are continually applied to the circuit boards and other areas within the unit during its operation. Failure to follow this precaution may lead to severe injury or death.

WARNING!

The Service Mode of the Spectron 600 is intended for use by qualified Edwards personnel or users specifically trained by Edwards. Under no circumstances should any individual be assigned access to this mode without a thorough knowledge of vacuum systems as well as the Spectron 600 System. Use by an unqualified operator may result in damage to the unit and/or personal injury.

NOTE: In Service Mode the Spectron 600 may be operated as a totally manually operated and sequenced leak detector. In this mode the vacuum system of the unit operates without its normal computer protected safeguards. Contamination and/or damage to the unit will occur if the vacuum system is not properly sequenced. If in any doubt, operate the various valves and controls that comprise the vacuum system in the same sequence as the Spectron 600 operates in its standard/fully automatic mode.

To perform many of the service and/or repair procedures described in this chapter, the Spectron 600 will have to be placed into its Service Mode. To place the unit in Service Mode:

1. Open the rear panel of the unit (loosen the 1/4-turn screw at the top of the panel, then gently lower the door)
2. A circuit board is mounted on the inside of the rear panel. On the right side towards the top of the board a black pushbutton is found. Press the pushbutton. The unit is now in Service Mode and the Service Mode indicator on the unit's front panel is illuminated.

To return to the Standard mode, press the SERVICE pushbutton a second time. The Service Mode indicator will be extinguished and the Spectron 600 will return to its normal operating mode.

NOTE

After exiting from the Service Mode, the Spectron 600 requires fifteen seconds to accurately acquire background and other system measurements. During this time, the system computer will prohibit any testing from occurring and the system will "beep" whenever the Start switch is pressed. At the end of this fifteen second time period, a test cycle may be commenced normally by pressing the Start switch.

4.3 Calibration & Tuning

The Spectron 600 may be tuned and calibrated automatically or manually. The automatic (computer assisted) procedures follow:

With the unit in "standby" mode, use the following procedure to calibrate the leak detector:

1. Press the CAL CHECK momentary switch. The unit will begin the "calibration check" sequence.
2. The Spectron 600's computer will sequence the vacuum system so that:
 - a. The internal leak rate standard is connected to the test port
 - b. The internal calibrator is then measured by the unit
 - c. The background helium is then subtracted from the initial measurement
 - d. The results of the measurement are then displayed on the leak rate bar graph and numeric display of the user panel
3. The indicator on the CAL CHECK switch will now be flashing. This indicates that the measurement has been completed.
4. The alphanumeric display will now indicate the calculated temperature compensated value of the internal leak rate standard. Compare this with the measurement displayed on the leak rate bar graph and numeric display. If the two readings are within 10% of each other, the unit should be considered properly calibrated.

If the difference between the two readings is greater than 10%, the measurement gain may be adjusted by pressing the CAL (Calibrate) button (see below) or the leak detector may be retuned and recalibrated by pressing the TUNE button (again, see below). If the difference between the two readings is acceptable (generally less than 10%) the Cal Check cycle can be ended by pressing the CAL CHECK momentary switch once more.

NOTE

During the warm-up period of the unit (approximately one-half hour), the leak detector's calibration will not be as accurate as during normal operation. When using the

Spectron 600 during warm-up, perform the Cal-Check function to ensure the integrity of the unit's measurement accuracy.

Another method of checking calibration is a function exclusive to Edwards Spectron 600 series leak detectors: the "Peak Scan" function. Peak Scan allows a user to quickly ascertain whether the leak rate indication is due to either helium or is the result of a poorly tuned spectrometer. To initiate the Peak Scan function:

1. When the unit is leak testing in Standard Mode, press and hold either SELECT momentary switch until the indicator LED for the ANODE VOLTAGE function is lit.
2. Press and hold either the left or right "SET" momentary switch. Pressing the left arrow switch will alter the spectrometer peak tuning voltage by -30 volts while pressing the right arrow switch will alter the voltage by +30 volts. Releasing either switch returns the spectrometer voltage back to normal. When this test is made on an optimally tuned spectrometer, the displayed leak rate (due to either background helium or helium from a calibrator) will decrease to zero indicating that the measurement is actually due to the presence of helium. Both SET buttons should be used for this test.

If the displayed leak rate does not decrease to zero after either SET button is pressed, the spectrometer is not tuned and the TUNE function (see below) must be initiated to retune the mass spectrometer.

To "Tune" the Spectron 600:

1. When the unit is in Standard Mode, press the TUNE momentary switch (located on the left side of the User Panel).
2. The Spectron 600 will sequence through a full "Auto Tune" cycle. This includes optimizing all mass spectrometer voltages, finding the optimum voltage, measuring background, adjusting G3 (direct mode) gain and adjusting G2 (reverse mode) gain.
3. When the unit is fully tuned and calibrated, the TUNE indicator light will turn off and the READY LED will be lit.

4.4 Periodic Service

Grease Test Port Centering Ring:

A properly sealing test port O-ring is essential in assuring rapid pump down of a test object. The O-ring should be inspected frequently, at least once each week.

To access the O-ring remove the NW clamp and centering ring atop the test port. With a nonmetallic instrument or by hand, remove the O-ring carefully. Be careful not to nick or damage the O-ring. Once removed, wipe it with a lint free cloth and inspect it carefully for any damage. Specifically, look for any cuts, wear or flat spots. Replace the O-ring if any damage is observed. Whether installing a new or old O-ring, lubricate the O-ring with a thin film of vacuum grease (Dow Corning vacuum grease is recommended). Re-install the O-ring into the test port. Reattach the centering ring and clamp.

Check Air Filters:

The Spectron 600 has a filter that cleans the cooling air drawn into the unit. The filter is located within the left side panel (as viewed from the front of the unit). The reusable wire mesh filter can be removed for cleaning by removing the nuts that attach the filters to the outer panel. They may be cleaned with compressed air (in the reverse direction of normal air intake) or can be washed with soap and water.

Check Oil Level in Internal and External Rotary Vane (Mechanical) Pumps

The Spectron 600 is equipped with either one (internal only) or two (internal and external) pumps depending on its configuration. Each pump has a transparent oil level gauge that allows the user to observe the amount of oil in the pump as well as the oil's coloration.

To observe the oil level, and to access the drain plug and filler port for the internal pump, remove the right side panel (when facing the unit). The level, plug and filler are on the right side of the pump (the pump is illustrated in Figure 1-2).

Oil should be added to the pump whenever the oil level window indicates that the pump's oil supply is low. If the oil is darker in color than when initially added to the pump or if the oil is discolored, change the oil immediately. Use only oil recommended by the pump's manufacturer, for the internal and external pumps use Edwards Ultra Grade 15 oil or its equivalent. The procedure for changing pump oil is described later in this section.

Note also that it is possible for the internal pump's oil to become contaminated with helium. Refer to Section 4.5 for the information on indications of helium-based oil contamination.

Check Exhaust Filter on Internal Rotary Vane (Mechanical) Pump

The internal pump has a disposable exhaust filter. To check the filter, open the front panel of the unit. The filter is attached to the top of the mechanical pump, threaded into an adaptor. The filter may be removed by rotating it in a counter-clockwise direction. Check the filter, if it is discolored or saturated replace it with a new filter (P/N D155-02-840).

This filter is not a sealed filter. If it is desired to connect to external facilities exhaust, replace the filter with a sealed, coalescing type filter and connect the exhaust port of the filter to the inside of the rear bulkhead exhaust connector using flexible tubing, such as Tygon tubing. The exhaust port on the Spectron 600 may then be connected to facilities exhaust. The filter medium should be checked periodically and changed according to the manufacturer's instructions.

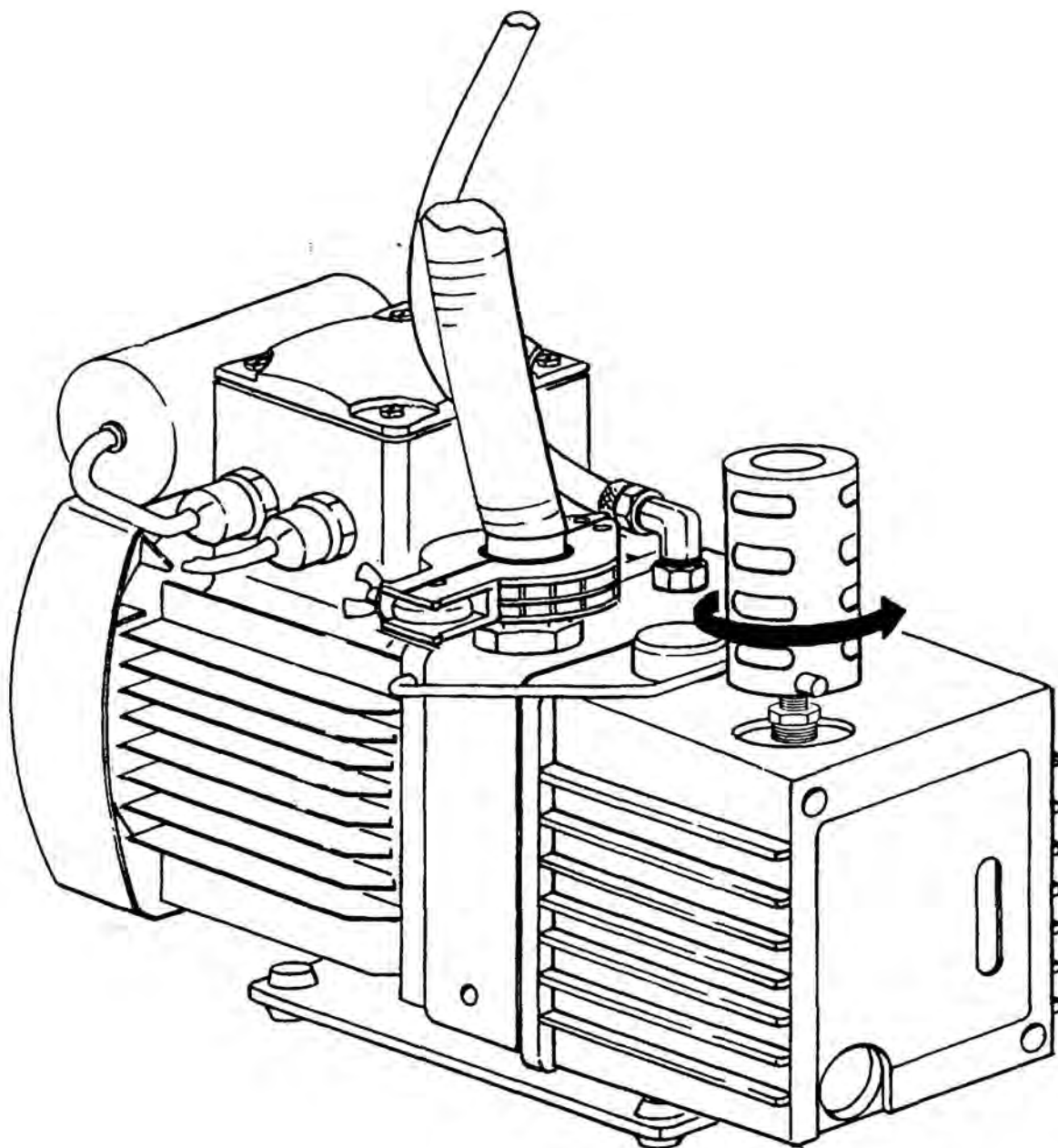


Figure 4-1
Changing the Pump Exhaust Filter

Changing the Oil in Rotary Vane (Mechanical) Pumps

When changing the oil in either the internal or external pump, the oil must be hot to obtain complete drainage. If the oil is not hot, run the pumps for at least fifteen minutes to warm up the oil. However, if the unit, and therefore the pumps, have been running for several hours, it is advisable to shut down the unit and wait several minutes before changing the oil.

The pumps must be shut down to change the oil. Running a pump without a sufficient amount of oil will quickly damage the pump.

To change the oil in the internal rough pump:

1. Turn off the Spectron 600. The A.C. power toggle switch is located to the right of the User Panel (when facing the unit).
2. Remove the right side panel (when facing the unit). Place the unit so that the right side of the unit rests on the edge of its utility cart or on the edge of a table or other flat surface.
3. Place a funnel directly underneath the drain on the pump to collect the drained oil into a suitable container. Open the drain plug and wait for the oil to drain out of the pump. Once the oil has been completely drained from the pump replace the drain plug.

In order to quickly drain the oil from the pump, open the fill plug located on top of the pump. Make sure to use a large enough object to collect the oil, removing the oil in this manner may cause the used oil to splash within its container.

4. On the top of the pump is a fill plug. If it has not been removed yet, remove the plug and with a narrow funnel refill the pump. Pour enough oil into the pump so that the oil level as seen through the sight glass (located on the side of the unit) is just below the top fill line. Replace the plug.

CAUTION:

Use recommended oil such as Edwards Ultra Grade 15 or equivalent. Use of other oils will produce poor pressure performance and rapid contamination. Also, do not use solvents or light flushing oils since complete removal is difficult and their higher vapor pressure prevents attainment of required vacuum.

5. Run the Spectron 600 for at least five minutes. This will circulate oil through the pump and “flush” out any contaminants. Repeat steps 3 & 4. If any visible contaminants still appear in the pump oil repeat steps 3 & 4 again until the pump oil appears free of contaminants. Make sure that before the Spectron 600 is to be used that the pump is filled with a sufficient amount of oil (as described in step 4).

To change the oil in the external rough pump:

1. Turn off the Spectron 600. The A.C. power toggle switch is located to the right of the User Panel (when facing the unit). Turn off the power to the external rough pump.
2. Place the pump on a raised flat surface (e.g., a table or workbench) so that the pump’s oil drain is over a used oil container.
3. Open the drain valve and wait for the oil to drain out of the pump. In order to quickly drain the oil from the pump, open the fill plug located on top of the pump. Make sure to use a large enough object to collect the oil, removing the oil in this manner may cause the used oil to splash within its container. Once the oil has been completely drained from the pump replace the drain plug.
4. On the top of the pump is a fill plug. If it has not already been removed, unloosen the plug and with a funnel refill the pump. Pour enough oil into the pump so that the oil level as seen through the sight glass (located on the side of the unit) is just below the top fill line. Replace the plug.

CAUTION:

Use recommended oil such as Edwards Ultra Grade 15 or equivalent. Use of other oils will produce poor pressure performance and rapid contamination. Also, do not use solvents or light flushing oils since complete removal is difficult and their higher vapor pressure prevents attainment of required vacuum.

5. Run the mechanical pumps for at least five minutes. This will circulate oil through the pump and flush out any contaminants. Repeat Steps 3 & 4. If any visible contaminants still appear in the pump oil repeat Steps 3 & 4 again until the pump oil appears free of contaminants. Make sure that before the pump is used that it is filled with a sufficient amount of oil (as described in Step 4).

4.5 Contamination of the Vacuum System

All leak detectors are subjected to contamination of the vacuum system by repeated exposure to gases and other matter drawn from test objects during ordinary testing. This matter will settle throughout the vacuum system. Special consideration should always be given for contamination of the mass spectrometer and the oil and filter of the rotary vane mechanical pump. As a result of contamination, system performance will drop and sensitivity will decrease. Cleaning and recalibration of the vacuum system is necessary to restore the unit to optimum performance.

Indications of Contamination

The vacuum system is considered contaminated if any of the following conditions exist:

1. The amplifier gain (either G2 or G3) indicator displays a gain of 8 or higher. This indicates that the sensitivity of the mass spectrometer has decreased and the automatic gain compensation of the unit is reaching its limit. Verify tuning by performing the "Tune" function (as described in Section (2.9)). If after the Tune function has been performed, the gain value is not lower than previously reported, the mass spectrometer should be removed from the high-vacuum system and cleaned (the procedure is described in Section 4.7).
2. The high-vacuum pressure display is erratic. This can be observed by selecting the High Vacuum function on the Service Panel. This requires that the high-vacuum section be opened and cleaned (this procedure is described in Section 4.7).
3. The plugged test port cannot be pumped to less than 50 milliTorr. This condition indicates that the oil in the internal rough pump (or external rough pump, when equipped) may be contaminated and needs to be replaced (this procedure is described in Section 4.4).
4. The foreline pressure cannot be pumped to less than 50 milliTorr. This condition indicates that the oil in the internal rough pump may be contaminated and needs to be replaced (this procedure is described in Section 4.3).
5. With the test port plug in place, the leak rate indicator does not reach a "zero" reading even after prolonged pumping. This condition

indicates that the accumulated contaminants within the unit have absorbed a high amount of test helium. When this occurs, place the unit in its "standby" mode for a minimum of three minutes. The unit will be able to pump away some of the background helium and to take new measurements. Re-testing of the test object is recommended at this point. If the situation is still not remedied, changing the oil in the internal rough pump as well as a system-wide cleansing of the internal components of the unit is in order.

Note that it is possible that the symptoms listed above may also be due to causes other than contamination. The following problems should be considered and eliminated prior to proceeding with contamination-related service:

- leak in the vacuum system
- incorrectly tuned spectrometer
- malfunctioning turbomolecular pump

Sensitivity Check

A sensitivity check provides an indication on how the leak detector is responding to repeated exposure to gases drawn into its vacuum system. Matter contained in these gases tends to contaminate the mass spectrometer and reduce its sensitivity. The unit's computer senses this reduction and automatically compensates for this loss by increasing the helium signal amplifier gain (the Amplifier Gain function divided into G2: gain during reverse mode testing or G3: gain during direct mode testing). Ultimately, if the unit were to be left unserviced, through continuing computer adjustment in response to increasing contamination, the "reserve" gain would be exhausted. A cleaning and recalibration of the mass spectrometer components is necessary to prevent this condition.

A sensitivity check is made by pressing the SELECT momentary switches on the Service Panel until the AMP GAIN function is reached. As stated above, three Gain measurements are available: G1, G2 and G3. G1 (gross mode gain) is set by the user, so a high value of this gain is not necessarily an indication of contamination. The SELECT switches are also used to toggle between the three values. The scale of amplifier gain is between 1 and 10. Typical gains for a clean system are:

G2: 2 - 3

G3: 3 - 4

As the system progressively becomes more contaminated, the gain also increases (becomes closer to 10).

To correct this condition, the **Tune** function must be used (as described in Section 2.9). If the Tune function has been performed, and either G2 or G3 value is greater than 8, the mass spectrometer assembly should be removed, cleaned and recalibrated as described in Sections 4.7 and 4.8.

Internal Rotary Vane Pump Oil Contamination (600T)

Repeated exposure to high levels of helium, particularly when testing objects with large leaks, may cause the mechanical pump's oil to become contaminated. Helium, along with other gases, becomes dissolved in the oil and trapped in the internal mechanical pump. This type of contamination is found when:

- A high background of helium is measured that cannot be pumped away
- An unstable leak rate caused by excess helium that is released from the internal mechanical pump at regular intervals

A high background level of helium will prevent the Spectron 600 from testing in its most sensitive ranges. An unstable leak rate will complicate testing and will make the tuning and calibration functions unreliable.

The gas ballast may be opened periodically to "de-gas" the pump's oil. This should be done only if the background helium rate is excessive or if the leak rate becomes unstable as a result of helium loading. The pump gas ballast is connected to a "purge" valve in the vacuum system, which allows the ballast to be opened to atmosphere through a sintered filter.

Purging the internal pump with dry nitrogen will help prevent contamination. Nitrogen is connected through a 1/4" bulkhead marked N2 on the rear panel. The nitrogen line must be connected internally by removing the sintered filter (item 13, figure 5-2) and replacing it with a 1/4" NPT to 1/4" polyflow tubing elbow adaptor (P/N D155-0832) and connecting a length of polyflow tubing between the adaptor and the inside of the bulkhead fitting. The required connectors, tubing, and instructions are included in the N2 kit, which is part of the installation kit.

The pump may be purged either to atmosphere through the sintered filter, or with dry nitrogen. Dry nitrogen is recommended in areas with high ambient helium.

The dry nitrogen supply should be limited to 0.5 to 1.5 psi so that only a gentle stream of nitrogen enters the ballast port.

To open or close the gas ballast, press the purge momentary switch on the Service Panel (left side of User Panel). The purge valve may only be opened when the unit is in "standby" mode (the READY light will be lit on the User Panel). The ballast should be kept open for a minimum of three minutes to allow the helium to be completely expelled from the oil. The purge valve will automatically close after five minutes, or when the START switch is pressed. The computer will prevent any testing for fifteen seconds after the purge valve closes. This allows the background level to settle and the computer to update the background information.

Occasionally, the internal pump's oil will become saturated with helium to the point that purging with dry nitrogen and "de-gassing" the oil through the gas ballast will not be entirely effective. If the background and instability problems are not sufficiently solved through these measures, change the pump's oil (refer to Section 4.4 for this procedure).

4.6 Venting the Vacuum System

Cleaning, service and repair of vacuum system components usually requires the venting of the Vacuum System. Venting is always necessary for removal of component parts. Service must be performed by adhering to procedures that minimize the pumpdown time when the system is restarted (e.g., using latex gloves when touching internal equipment - without gloves, the fingerprints left behind are a source of outgassing and contamination that effect the efficiency of the Spectron 600).

WARNING!

Venting of the Vacuum System should be performed by qualified personnel only. Improper sequencing of the vacuum system may lead to damage to the unit or injury to service personnel.

To Vent the Vacuum System:

1. Place the unit in Service Mode. The unit may be placed in service mode by:
 - a. Turning the screw at the top of the rear door 1/4 turn and gently lowering the door;

- b. Pressing the black pushbutton on the upper right of the circuit board (mounted on the rear door).
2. From the Valve section of the Service Panel, close all valves except the foreline valve.
3. Press the ZERO momentary switch. This will shut down the turbomolecular pump. Wait three minutes for the turbomolecular pump to spin down.
4. Press the FORE momentary switch on the Service Panel to close the foreline valve.
5. Disconnect the power supply to the internal pump (Molex connector).
6. Open the vent valve from the momentary switch on the Service Panel.
7. Open the fine valve from the momentary switch on the Service Panel. The turbomolecular pump will rapidly decelerate (this produces a highly distinctive noise).
8. Open the foreline valve from the momentary switch on the Service Panel. This vents the mechanical pump.
9. Close the vent, fine and foreline valves.
10. Turn off the unit.

To restart the Spectron 600: Reconnect the power switch to the internal mechanical pump, press **I/O** switch to **I** and perform a normal start-up procedure (as described in Section 2.3).

4.7 Cleaning Requirements

When it has been determined that the vacuum system is contaminated, components of the vacuum system will need to be cleaned and serviced as stated in the remainder of this Section. Since contamination should not be a frequent occurrence, it is recommended that as many as possible of the components listed in this section be cleaned and/or serviced at the same time.

Parts that require cleaning are:

- Mass Spectrometer (including the source, collector and housing)
- Turbomolecular pump
- Vacuum system valves

To obtain complete and unimpeded access to the internal systems of the Spectron 600:

- Front & Rear Panels: With a screwdriver, turn the screw located on top of each panel 1/4 turn and gently lower the doors
- Side Panels: Each panel lifts off the unit's housing by grasping the panel on the lower rear corner and pulling outward.

Cleaning Procedure for Contaminated Parts

Whenever the vacuum system becomes contaminated, it will be necessary to disassemble and clean all components that are effected. Cleaning procedures for vacuum apparatus such as electron tube parts, test chambers, etc., are generally appropriate for cleaning Spectron 600 vacuum components.

WARNING!

At all times, the inhalation of cleaning fluid vapors must be avoided. Also, extreme care should be taken with flammable substances such as acetone.

NOTE

When handling any components normally exposed to vacuum, use only lint-free gloves. Touching any object with bare hands will leave an organic residue on the component that will outgas and negatively effect the subsequent leak detection procedure.

The solvents referred to in this section are freon and acetone. Acetone is used whenever large deposits of grease or oil are to be removed. Remember, however, to use acetone in a well ventilated area. Since acetone is highly flammable, all standard safety precautions when dealing with flammable objects should be taken whenever acetone is used.

Immerse components in a cleaning solvent for five minutes. Thoroughly rinse in hot water and dry immediately. Heating the components, prior to their reassembly is the final stage of cleaning.

NOTE

Never remove O-rings with a metal tool, as this could scratch the O-ring groove, and cause a leak. Use a plastic or wood (or any soft material) tool to remove the O-ring by inserting the tool between the inside of the O-ring and its groove and then sliding the tool around the inside of the O-ring. This will cause the O-ring to pop up. An O-ring may have to be held on its opposite side to prevent its turning in the groove. This procedure usually gives much better results than trying to pry the O-ring from its groove.

O-rings are susceptible to absorbing large quantities of the solvents used in cleaning. Subsequent evaporation of these solvents when the system is later evacuated (during testing) must be avoided, therefore O-rings and gaskets should be removed from flange grooves and treated as a separate cleaning problem. O-rings and gaskets are either replaced at the time of reassembly (recommended), or carefully wiped clean with a lint-free material and inspected for surface damage of any kind before they are used again. If a new O-ring is used, it should be wiped clean, inspected and lubricated with a light film of vacuum grease, essentially the same procedure as would take place when reusing an old O-ring. Use vacuum grease as sparingly as possible since it later may become a source of system contamination.

Cleaning the Mass Spectrometer

Refer to Figure 4-2 for an exploded view of the mass spectrometer.

1. Refer to Section 4.9 for an explanation of how to remove the source from the Spectron 600.
2. Disassemble the two half sections of the spectrometer housing and remove the center slit plate and O-ring.
3. Clean the two sections. The interior of both sections should be lightly sanded or bead blasted to remove all stains. Blow out the bead blast residue with dry, oil-free air. The sections should then be cleaned ultrasonically in freon and dried with a hot air gun. Make sure to handle the sections when wearing lint free gloves. Reassemble the two sections and install a new O-ring.

4. The source may be cleaned as follows:
 - a. Remove the source's O-ring and wipe away any excess grease from the O-ring groove.
 - b. Remove the source's filaments as stated in the Section 4.9. Clean the area using a fine emery cloth held with needle nose pliers or a tweezer. Be careful to not use excessive force, any bending or shifting of the filament area may cause an electrical short. Rinse the source in freon and clean it ultrasonically. Install new filaments as described in Section 4.9).
5. The collector may be cleaned as follows:
 - a. Remove the collector's O-ring and wipe away any excess grease from the O-ring groove.
 - b. Clean ultrasonically in boiling freon for two minutes.
 - c. Bake the entire assembly at 50°C for 30 minutes.
 - d. Apply a light film of vacuum grease on the O-ring and reinstall the collector assembly into the mass spectrometer.

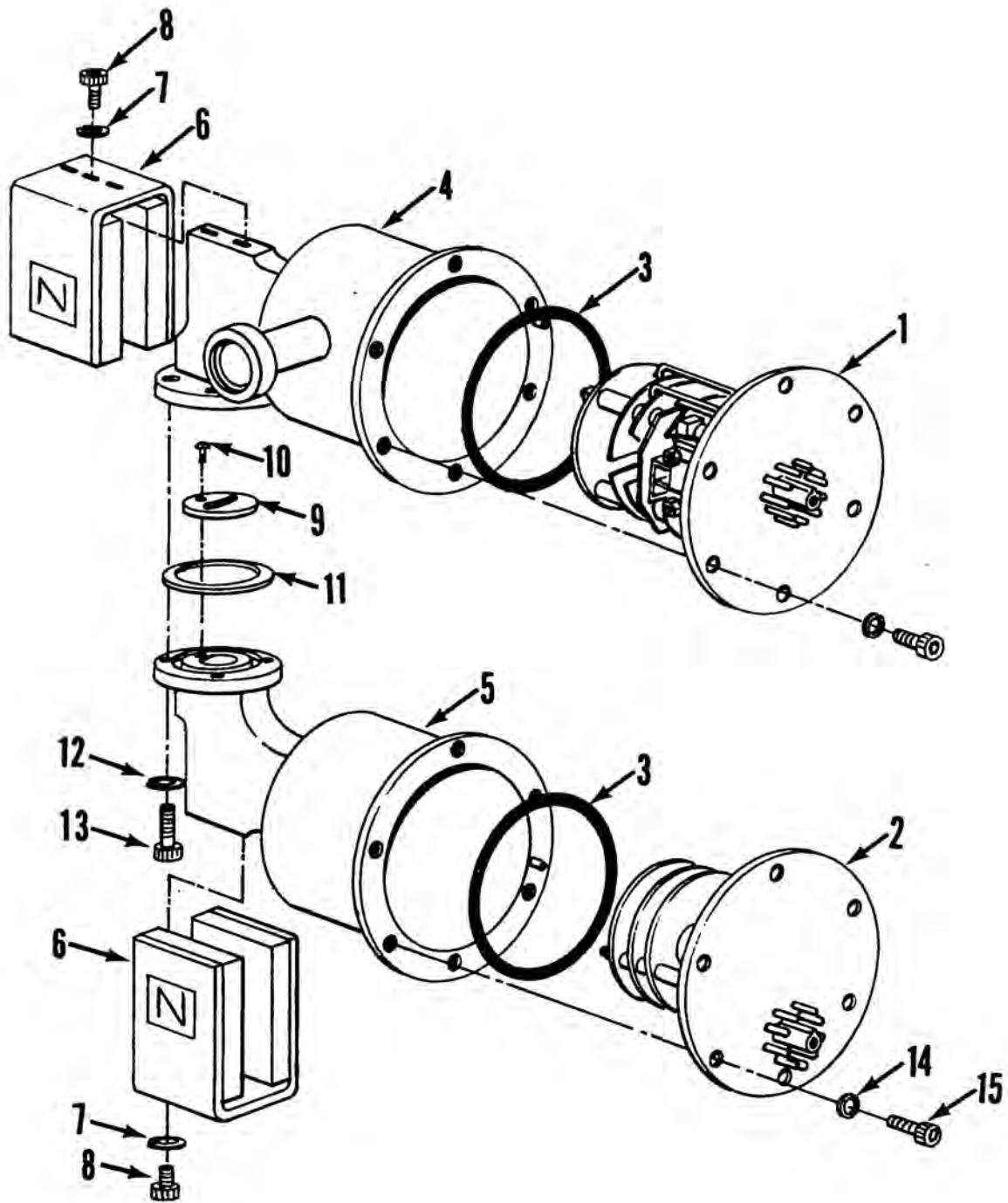


Figure 4-2
Spectron 600 Mass Spectrometer
(Exploded View)

Parts List for the Spectron 600 Mass Spectrometer (as illustrated in Figure 4-2):

ITEM #	EDWARDS P/N	DESCRIPTION
1	D155-01-817	Source Assembly
2	D155-01-818	Collector Assembly
3	D155-02-805	O-Ring, 2 1/2 x 1/16
4	D155-01-811	Source Body
5	D155-01-812	Collector Body
6	D155-01-813	Magnet
7	Commercial	Lockwasher, Split #4
8	Commercial	Screw, #4-40 x 3/8
9	D155-01-814	Slit Plate
10	D155-01-819	Screw, vented, #2-56 x 3/16
11	D155-02-803	O-Ring, 1 1/8 x 1/16
12	Commercial	Lockwasher, Split #6
13	Commercial	Screw, Socket Head, #6-32 x 1/2
14	Commercial	Lockwasher, Split #6
15	Commercial	Screw, Socket Head, #6-32 x 1/2

Cleaning the Turbomolecular Pump

Cleaning of this pump must be in accordance with the procedures in the EXT70 manual. For questions regarding servicing the turbomolecular pump, contact the Customer Service Department at Edwards.

1. Vent the Spectron 600 (as stated in Section 4.6).
2. Open the rear door of the unit. With a screwdriver turn the screw the door 1/4 turn and gently lower the door.

NOTE

Note the alignment and orientation of all parts removed. Proper alignment is critical when replacing the components removed in this procedure.

3. Disconnect the electrical connector to the turbomolecular pump.
4. Disconnect the electrical connector to the source and mass spectrometer.
5. Remove the NW clamp and centering ring from foreline of the turbo pump. Be careful not to drop the centering ring.
6. Note the orientation of the claw clamps that connect the pump to the vacuum manifold and the manifold to the foreline section.
7. Loosen the nuts on the claw clamps. Remove the clamps. Make sure to record the position of each clamp.
8. Lift off the manifold and the centering ring between the pump and the manifold. Place on a clean, flat surface near the unit.
9. Lift off the turbomolecular pump and place on a clean, flat surface the unit.
10. Refer to the instructions in the EXT70 manual for cleaning the pump. Pump service should be limited to cleaning procedures only - additional work performed on the pump may void the warranty.
11. Clean and regrease the O-ring on the large centering ring assembly as necessary. Replace the turbomolecular pump, manifold and centering ring within the unit.

12. Replace all of the claw clamps removed in Step 7. Replace the clamps to the same positions from which they were removed earlier. Replace and tighten the nuts removed in Step 7.
13. Clean and regrease the O-ring on the NW16 centering ring as necessary. Replace the NW16 clamp and centering ring removed in Step 5 onto the turbomolecular pump.
14. Reconnect the electrical connector to the source and mass spectrometer.
15. Reconnect the electrical connector to the turbomolecular pump.

4.8 Calibration Requirements

Calibration is required when components associated with a measurement function are serviced, repaired or replaced.

The items that need to be calibrated and reset after service, repair or replacement are:

- test port and foreline pirani gauges
- hi-vac gauge
- temperature sensor

Test Port Pirani Calibration

NOTE

Calibration is required whenever a gauge is replaced.

1. Ensure that a blank plug is attached to the test port and that all valves except the foreline valve are closed. Verify that the Spectron 600 is in the Standard mode.
2. Open the rear panel. To open the rear panel turn the captive screw at the top of the panel 1/4 turn counterclockwise and gently lower the door.
3. Using either of the SELECT arrow keys on the left side of the User Panel, select the Test Port Pressure function. The function has been selected when the green indicator light to its left is lit.
4. Set the unit to manually range downward to 10^{-10} range (to ensure that the unit is in direct mode) by pressing the AUTO/MANUAL momentary switch so that the manual ranging mode is initiated and then pressing the "down arrow" key so that the "10 range" is selected as the eventual "pumpdown" goal.
5. Press the START pushbutton to start the test cycle. Allow the unit to pumpdown so that it reaches Crossover 2. The fine valve will be open (the green indicator next to FINE VALVE on the User Panel will be lit).

6. On the A board mounted on the interior of the rear door, adjust the R101 potentiometer (at the bottom center of the board) so that the test port pressure is reading one milliTorr on the alphanumeric display. The optimal method is to adjust the potentiometer to slightly greater than one milliTorr, then slowly turn the potentiometer down until the display just indicates 1 mTorr.

NOTE

Be careful not to over-adjust this setting, while the potentiometer can be set to a value less than 1 mTorr, the alphanumeric display will still indicate a reading of 1 mTorr.

Foreline Pirani Calibration

1. Ensure that a blank plug is attached to the test port and that all valves except the foreline valve are closed. Verify that the Spectron 600 is in the Standard mode.
2. Open the rear panel. To open the rear panel turn the captive screw at the top of the panel 1/4 turn counterclockwise and gently lower the door.

NOTE

The test port pirani must be calibrated prior to calibration of the foreline pirani.

3. Using either of the SELECT arrow keys on the left side of the User Panel, select the TEST PORT (pressure) function. The function has been selected when the green indicator light to its left is lit.
4. Set the unit to manually range downward to a decade that the unit will run in while in reverse mode (e.g., the 10^{-8} range). Make sure not to range down too far (e.g., ranging down to the 10^{-10} range then up to the 10^{-8} range the unit will be in direct mode instead of reverse mode). Wait until test port pressure stabilizes. Record the test port pressure.
5. Using either of the SELECT arrow keys on the left side of the User Panel, select the FORELINE function so that foreline pressure reading appears on the alphanumeric display.

6. On the **A** board mounted on the interior of the rear door, adjust the **R79** potentiometer (at the bottom center of the board) until the current foreline pressure reading is the same as the test port pressure reading recorded in Step 4.
7. Re-select the TEST PORT function. Verify that the test port pressure is still the same as recorded in Step 4. If the reading has changed, repeat the procedure until the foreline pressure and test port pressure continually match.

Calibrating the Temperature Sensor

1. Ensure that the unit is in standard mode. Open the rear panel. To open the rear panel turn the captive screw at the top of the panel 1/4 turn counterclockwise and gently lower the door.
2. Connect a temperature probe to the temperature sensor located on the body of the internal calibrator.
3. Using either of the SELECT arrow keys on the left side of the User Panel, select the CAL TEMP function so that the temperature reading appears on the alphanumeric display.

NOTE

The temperature probe should have a resolution of 0.1°C .

4. On the **A** board mounted on the interior of the rear door, adjust the **R53** potentiometer (at the bottom right of the board) until the temperature reading of the alphanumeric display matches the temperature indicated by the temperature probe.

4.9 General Service & Repair

Servicing the Valves

The most prevalent cause for a leaky vacuum system is faulty valve closure. A valve's seat and seal become dirty or contaminated with use, causing small leaks that must be corrected for the leak detector to function as required. The valves must be cleaned when a leak develops or the system becomes contaminated as described in Section 4.5. If a valve seal is damaged the valve should be replaced.

Generally, valves exposed to low pressure and high flow are the most likely to be the cause of a leak and should be serviced first. Cleaning procedures are discussed in Section 4.7.

All valve servicing is performed while the unit is in Service Mode. In order to easily access the valve block the rear panel needs to be opened. Refer to Figure 5-2 for an exploded view of the valve block.

CAUTION

Do not use metal tools or sharp objects to inspect a valve seat in the valve block. Any scratch will irreparably damage the seat.

Servicing the Vent Valve

1. Vent the test port.
2. Open the rear panel. To open the rear panel, turn the captive screw at the top of the panel 1/4 turn counterclockwise and gently lower the door.
3. Remove the two wires from the electrical connectors on the valve. Make note of which wire is connected to each metal prong (yellow wire to upper prong/striped wire to lower prong).
4. Remove the four screws and washers. Remove the valve coil.
5. Remove the plunger and the seal assembly from the valve coil. Wipe only the outer area of the seal. Do not remove the seal.

6. The valve's O-ring is in the body of the valve. Remove it with a plastic or other non-metallic instrument. Do not use metal or any other "hard" instruments as they may scratch the O-ring groove. Wipe each O-ring with a lint-free cloth and check each carefully for nicks, dents or flat spots. Replace when necessary.
7. Wipe the seat on the valve block with a clean, lint free cloth to remove any contaminants. If necessary, a small amount of alcohol may be used on the valve block.

CAUTION

Acetone or alcohol is destructive to rubber surfaces such as the valve's O-ring. When cleaning rubber surfaces use a clean and dry lint-free cloth.

8. Wipe the O-ring with a clean, lint-free cloth, then coat it with a thin film of vacuum grease (Dow Corning High Vacuum Grease is recommended). The coating should be thin enough so that the grease is barely visible except for leaving a glossy coat on the rubber. Replace the O-ring in the valve body.
9. Wipe the rubber seal on the end of the valve plunger with a clean, lint-free cloth. Coat the rubber with a thin film of vacuum grease.
10. Replace the spring into the plunger.
11. Replace the plunger into the valve coil.
12. Replace the valve assembly onto the valve block. Be very careful not to pinch the O-ring. Reattach the four screws and washers.
13. Reattach the two wires onto the proper electrical connectors.

Servicing the Fine, Rough & Reverse Valves

1. Vent the entire system. Follow the procedure stated in Section 4.6.
2. Open the rear panel. To open the rear panel, turn the captive screw at the top of the panel 1/4 turn counterclockwise and gently lower the door.

3. Remove the two wires from the electrical connectors on the valve. Make note of which wire is connected to each metal prong (the fine and reverse valves: the yellow wire is connected to the upper prong/the striped wire to the lower prong; rough valve: the white wire to the upper prong, the striped wire to the lower prong and the green and yellow wire to the outer prong).
4. Remove the four screws and washers. Remove the valve assembly.
5. Remove the plunger and spring out of the valve coil.
6. The valve's O-ring is in the valve block. Remove it with a plastic or other non-metallic instrument. Do not use metal or any other hard instruments as they may scratch the O-ring groove. Wipe the O-ring with a lint-free cloth and check each carefully for nicks, dents or flat spots. Replace when necessary.
7. Wipe the seat on the valve block with a clean, lint-free cloth to remove any contaminants. If necessary, a small amount of alcohol may be used on the valve block.

CAUTION

Acetone or alcohol is destructive to rubber surfaces such as the valve's O-ring. When cleaning rubber surfaces use a clean and dry lint-free cloth.

8. Clean the plunger and the rubber seal with a lint-free cloth. Coat the face of the seal completely with a very thin covering of vacuum grease (Dow Corning High Vacuum Grease is recommended). The coating should be thin enough so that the grease is barely visible except for leaving a glossy coat on the seat.
9. Replace the spring into the plunger and the plunger into the valve coil.
10. Coat the O-ring with a thin covering of vacuum grease. Replace the O-ring into the groove on the valve block.
11. Align the valve assembly with the holes on the valve block (the electrical connector should be on the right side). Replace the screws and washers removed in Step 4. Reattach the wires onto the proper electrical connectors.

Servicing the Gross Valve

1. Vent the entire system. Follow the procedure stated in Section 4.6.
2. Open the rear panel. To open the rear panel, turn the captive screw at the top of the panel 1/4 turn counterclockwise and gently lower the door.
3. The gross valve is labeled and is mounted near the middle of the valve block. Remove the screws that hold the internal valve mechanism and the valve restrictor plate. Identify each screw as they are removed; the two pairs are different in length.
4. While using lint-free gloves, remove the two O-rings with a plastic tool. Do not use metal or any other hard instruments as they may scratch the O-ring groove. Wipe each O-ring with a lint-free cloth and check each carefully for nicks, dents or flat spots. Replace when necessary.
5. Remove the restrictor plate from the valve. Special attention should be given to the hole at the mid-point of the restrictor plate. It is very small and this passage must not be impeded in any way if the Spectron 600 is to function properly. Clean the restrictor plate and its seat with a lint-free cloth. The coating should be thin enough so that the grease is barely visible except for leaving a glossy coat on the plate.
6. Coat each O-ring completely with a very thin covering of vacuum grease (Dow Corning High Vacuum Grease recommended). The coating should be thin enough so that the grease is barely visible except for leaving a glossy coat on the O-ring.
7. With a lint-free cloth wipe off any grease or dirt on the O-ring seats.
8. With even pressure replace the O-rings into their respective O-ring seats. Make sure that each O-ring is securely mounted, failure to mount the ring properly will cause the valve to malfunction or fail completely.
9. Re-attach the valve coil and restrictor plate with the two screws removed in Step 3.

Servicing the Purge and Sniff Valves

1. Vent the entire system. Follow the procedure stated in Section 4.6.
2. Open the rear panel. To open the rear panel, turn the captive screw at the top of the panel 1/4 turn counterclockwise and gently lower the door.
3. The valves are labeled and mounted on the valve block. Remove the lower left and upper right screws to access the internal valve mechanism.
4. While using lint-free gloves, remove the two O-rings, the small inner O-ring and the larger outer O-ring with a plastic tool. Do not use metal or any other hard instruments as they may scratch the O-ring groove. Wipe each O-ring with a lint-free cloth and check each carefully for nicks, dents or flat spots. Replace when necessary.
5. Coat each O-ring completely with a very thin covering of vacuum grease (Dow Corning High Vacuum grease recommended). The coating should be thin enough so that the grease is barely visible except for leaving a glossy coat on the O-ring.
6. With a lint-free cloth wipe off any grease or dirt on the O-ring seats.
7. With even pressure replace the O-rings into their respective O-ring seats. Make sure that each O-ring is securely mounted, failure to mount the ring properly will cause the valve to malfunction or fail completely.
8. Re-attach the valve coil with the two screws removed in Step 3.

Replacing the Filaments

To replace burned out filaments the Spectron 600 must be vented to permit the removal of the source from the mass spectrometer (illustrated in Figure 4-4). The procedure to replace the filaments is:

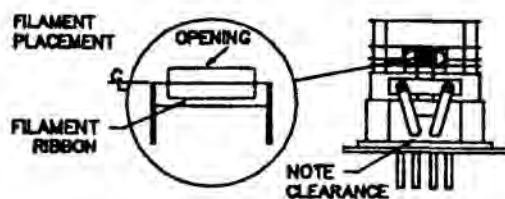
1. Vent the entire system. Follow the procedure stated in Section 4.6.
2. While holding the source assembly, gently pull off the source connector.

3. Loosen the four screws that hold the heat sink onto the source assembly. Remove the four screws and pull the heat sink off the source assembly.
4. Loosen and remove the remaining two screws holding the source assembly in place.
5. Remove the source assembly.
6. On the source assembly, remove the two outer nuts that hold the filament contacts in place.
7. Gently bend (away and down) the filament contacts away from the source assembly.
8. Remove the two nuts that hold the ceramic spacer in place. Remove the spacer.
9. Remove the filament assembly.

Installation:

10. Carefully bend both filament contacts slightly more than 90° away from the filament side of the assembly.
11. Place the filament on the source assembly. Guide the contacts with the slots provided on the ceramic block.
12. Place the ceramic spacer on the source assembly. Reattach the spacer with the nuts removed in Step 8.
13. Slide the filament up or down in the slots of the ceramic block until the top edge of the filament is aligned with the center slit of the source assembly (refer to Figure 4-3).

**Figure 4-3
Filament Alignment**



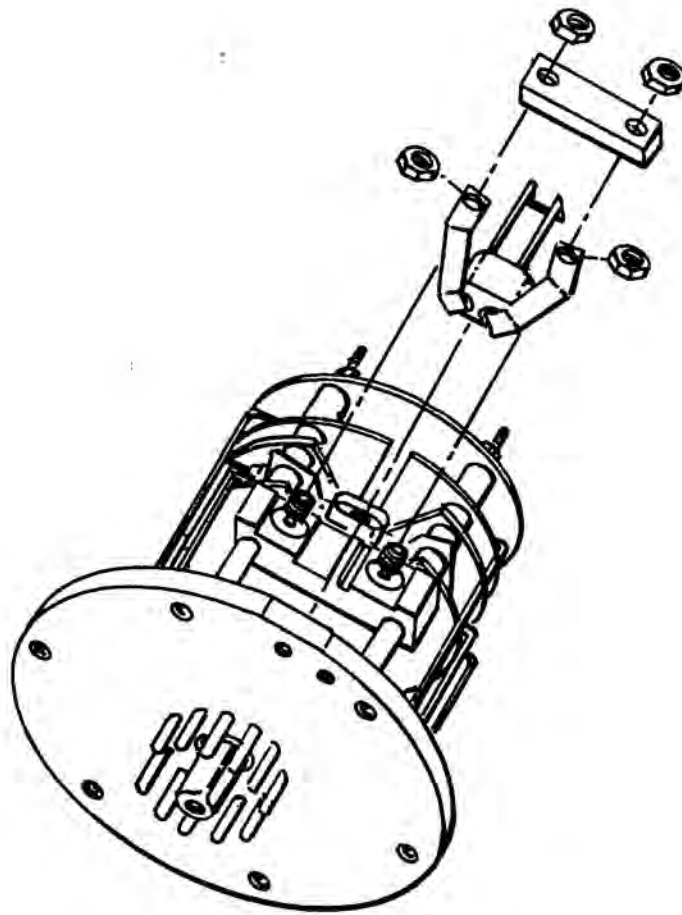


Figure 4-4
The Source
(Filament Replacement)

14. Lightly tighten the nuts removed in Step 6 so that the filament assembly is secured to the source housing.

NOTE

Do not over-tighten the nuts. Over tightening will cause the ceramic block to crack.

15. Bend the filament contacts so that they touch the stud posts of the source. Make sure that the nuts holding the contacts are tight.
16. Remove the O-ring with the bottom of the source assembly. Clean with a dry cloth. Refer to Section 4.7 for information on how to remove, clean and install O-rings.
17. Apply a thin coating of vacuum grease and re-insert the O-ring back into the O-ring slot.
18. Reattach the source assembly with the two screws removed in Step 4.
19. Reattach the heat sink that covers the source assembly with the screws removed in Step 3.
20. Reattach the source connector to the source assembly.

Replacing the Internal Leak Standard

The internal leak standard, installed in the Spectron 600 at the factory, will last indefinitely but should be returned annually to Edwards for recalibration (contact Edwards Customer Service for information). removal or replacement of the standard must be performed with the unit powered down and the unit vented (as stated in Section 4.6).

The procedure for replacing the internal leak standard is:

1. Power down the Spectron 600.
2. Open the rear panel by loosening the captive screw at the top of the panel and gently lowering the door.
3. Disconnect the temperature sensor electrical connector.

4. Cut any tie wraps surrounding the sensor make sure that the only object connected to the sensor is the calibrator.
5. Push the quick release button on the calibrator body. Remove the temperature sensor and leak standard by pulling the fitting down, angling it out and then pulling out the fitting while the temperature sensor is still attached to it.
6. Remove the temperature sensor from the leak standard and reattach to a new leak standard.
7. Install the new leak standard and temperature sensor onto the calibrator body. Place the fitting in the unit, angling the fitting in the same manner as in Step 5 and then pressing the fitting into the calibrator body. A positive click indicates that the standard has been correctly installed.

Circuit Board Replacement

The Spectron 600 contains three circuit boards in the unit and one circuit board in the optional hand held remote. Circuit Board A is mounted on the inside of the unit's rear panel, Circuit Board B is mounted on the inside of the unit's front panel, Circuit Board C is located underneath and attached to the User Panel and Circuit Board D is the board within the handheld remote.

NOTE: *The CPU board mounts to the A board.*

WARNING!

The Spectron 600 must be turned OFF and disconnected from the electrical supply prior to any repair or replacement of any of the circuit boards. When the unit is powered ON, potentially lethal high voltages are continually applied to the circuit boards and other areas within the unit during its operation. Failure to follow this precaution may lead to severe injury or death.

To replace Circuit Board A:

1. Open the rear door of the unit by turning the captive screw at the top of door 1/4 turn and then gently lowering the door.
2. Loosen and remove the screws that hold the shield that covers the board. Remove the shield.

3. Remove all of the electrical connectors from the board. Label each connector prior to removal. Note the polarity of each connector.
4. Loosen and remove the screws that hold down the board. Remove the board.
5. Place the new circuit board on the door. Re-attach the board to the door with the screws removed in Step 4.
6. Re-attach the electrical connectors removed in Step 3. Be careful to note the polarity of each connector.
7. Re-attach the shield removed in Step 2.

To replace Circuit Board B:

1. Open the front door of the unit by turning the captive screw at the top of door 1/4 turn and then gently lowering the door.
2. Loosen and remove the screws on the shield that covers the board. Remove the shield.
3. Remove all of the electrical connectors from the board. Label each connector prior to removal. Note the polarity of each connector.
4. Loosen and remove the screws that hold down the board. Remove the board.
5. Place the new circuit board on the door. Re-attach the board to the door with the screws removed in Step 4.
6. Re-attach the electrical connectors removed in Step 3. Be careful to note the polarity of each connector.
7. Re-attach the shield removed in Step 2.

To replace Circuit Board C:

Replacement by Edwards service personnel is recommended.

To replace Circuit Board D:

Replacement for the entire assembly (the handheld remote) is required.

Replacing Fuses

Two fuses are installed in a removable holder located to the right of the AC power input (see figure 2-2). Release the holder by gently pushing in the tab on its left side. Refer to page 1-10 to determine your unit's power requirements and appropriate fuse rating.

4.10 Troubleshooting Aids

The Spectron 600 computer continually monitors all system status and operational data. If an error is detected, it will immediately display that error on the User Panel. If any part of the leak detector's equipment needs to be shut down or if its operation needs to be altered in any way, the computer will instantaneously perform the necessary function.

The Error Code will appear on the Control Panel. Specifically, the error code **EE** appears in the numeric display of the User Panel. At the same time, the alphanumeric display indicates the specific Error Code (e.g., ERROR 08).

The following table lists and describes the unit's error or fault and explains the unit's reaction to the problem. Also included in the table are the probable causes and recommended corrective actions necessary for repair of the unit.

Table 4-1: Spectron 600 Error Codes

Error Code/Explanation	System Response	Probable Cause	Corrective Action
<p>ERROR 01: Foreline Maximum Error.</p> <p>Foreline Pressure has exceeded 4,000 milliTorr.</p>	<p>System senses high pressure in the foreline region. The unit has switched off the filament, closed all valves except the foreline valve and has shut down the turbomolecular pump. The system will wait 20 seconds and will determine if the pressure in the foreline section has dropped below 100 milliTorr. If the pressure has not dropped, the system will repeat this procedure ten times. If the pressure is still too high the unit will shut off.</p>	<ol style="list-style-type: none"> 1) Vacuum System Leak. 2) Crossover 1 is set too high for the size or gas load of the test object. 3) Uncalibrated foreline pirani. 4) Defective circuit board A. 	<ol style="list-style-type: none"> 1) Isolate and repair leaking valve or O-ring. 2) a. Lower the Crossover 1 setpoint. b. Increase the Reverse Rough Close Delay (D7). 3) Calibrate the foreline pirani. 4) Replace circuit board A.
<p>ERROR 02: Hi-Vac Error</p> <ol style="list-style-type: none"> 1) High-vacuum section pressure higher than 5×10^{-4} Torr in testing mode. 2) High-vacuum section pressure higher than 5×10^{-4} Torr during a TUNE procedure 	<p>The system has switched off the filament, waited ten seconds and turned the filament back on. If this condition persists, the User should cancel the testing procedure. If the unit is already in the Standby mode, no testing is allowed.</p>	<ol style="list-style-type: none"> 1) High-vacuum pressure burst is too powerful. 2) Vacuum system leak. 3) Defective circuit board B. 	<ol style="list-style-type: none"> 1) a. Lower the Crossover 2 setpoint. b. Increase the Fine Crossover Delay (D1) and or the Direct Rough Close Delay (D2). 2) Isolate and repair the leaking valve or O-ring. 3) Replace circuit board B.
<p>ERROR 04: Auto Zero Error</p> <p>The Leak the User has attempted to "Auto Zero" is too large for the system's Auto Zero function to handle.</p>	<p>The Auto Zero function will not be enabled. This error is not self clearing. To clear the error and start another test cycle, place the unit in Standby Mode and press the ZERO momentary switch again.</p>	<p>The test object has a leak that is too large for the current test mode.</p>	<ol style="list-style-type: none"> 1) Change the test mode. 2) Allow the unit to pump away excess helium (while in Standby mode).
<p>ERROR 05: Foreline Test Error</p> <p>The foreline region pressure has exceeded 2,500 milliTorr.</p>	<p>With the exception of the foreline valve, all vacuum system valves that are open will be closed. The unit places itself in Standby mode.</p>	<ol style="list-style-type: none"> 1) Crossover 1 setpoint has been set at too high a level. 2) Vacuum system leak. 	<ol style="list-style-type: none"> 1) a. Lower the Crossover 1 setpoint. b. Increase the Reverse Rough Close Delay (D7). 2) Isolate and repair the leaking valve or O-ring.

Error Code/Explanation	System Response	Probable Cause	Corrective Action
<p>ERROR 07: High Voltage Error</p> <p>One or more of the high-voltage supplies on Circuit Board B has/have failed.</p>	<p>The system will shut off the filament, shut all valves and turn off all pumps.</p>	<ol style="list-style-type: none"> 1) Short in the Mass Spectrometer source (usually have Error 10 at the same time). 2) Malfunctioning Circuit Board B. 3) Malfunctioning power supply. 	<ol style="list-style-type: none"> 1) Clean the Mass Spectrometer source. 2) Replace Circuit Board B 3) The power supply should be replaced. Contact the Service Department at Edwards.
<p>ERROR 08: Low Filament Error</p> <p>Filament current has dropped below 1 Ampere.</p>	<p>System will keep working, the error will still be displayed on the User Panel.</p>	<p>The useful life of the filament has expired or the filament is defective.</p>	<ol style="list-style-type: none"> 1) Change to other filament (using the Filament 1/2 momentary switch on the Service Panel). 2) Replace the filament.
<p>ERROR 09: High Temperature Error</p> <p>Temperature within the unit is too high for the leak detector to function accurately (the temperature sensor reading is >60°C).</p>	<p>After a twenty second delay, the unit will again measure the temperature. If the temperature is still too high, the unit will measure the temperature ten successive times to see if the temperature is within an acceptable range. If the temperature is still too high the unit will shut down.</p>	<ol style="list-style-type: none"> 1) Ambient temperature may be too high for the unit to function. 2) Internal fan may have failed. 3) Temperature sensor defective. 	<ol style="list-style-type: none"> 1) The unit must be placed in an area with a lower ambient temperature. 2) Replace the internal fan. 3) Replace temperature sensor.
<p>ERROR 10: Emission Error</p> <p>The filament emission current is below its allowable limit (4.7 mA).</p>	<p>During testing, the system will display the error on the User Panel. If the unit is performing a Tune or Calibration Check sequence, the system will abort the procedure. The User cannot perform a Calibration Check sequence after this error has occurred.</p>	<ol style="list-style-type: none"> 1) Unit is improperly tuned 2) The filament is not properly aligned within the Source. 3) Short in the Mass Spectrometer Source (usually accompanied by Error 07). 	<ol style="list-style-type: none"> 1) Perform the TUNE sequence. 2) Re-align or replace the filament. 3) Clean the Mass Spectrometer Source.

Error Code/Explanation	System Response	Probable Cause	Corrective Action
<p>ERROR 11: PC Remote Error</p> <p>Optional remote computer error.</p>	<p>The system is still usable, however, the remote computer is probably inoperative. This error is not self clearing. To clear the error and resume testing, place the unit in Standby Mode and press the ZERO momentary switch.</p>	<ol style="list-style-type: none"> 1) Improper connection between the leak detector and the remote. 2) Defective cable. 3) Defective remote PC. 	<ol style="list-style-type: none"> 1) Re-connect cable between the leak detector and the remote computer. 2) Replace cable. 3) Repair/replace remote PC.
<p>ERROR 13: Rough Time Error</p> <p>Test port pressure cannot be pumped to crossover pressure within the allotted time (5 minutes). This error will only occur when the unit is performing a Calibration Check or during the Tune procedure.</p>	<p>The system will abort the Calibration Check or the Tune procedure. This error is not self clearing. To clear the error and to resume testing, place the unit in Standby Mode and press the ZERO momentary switch.</p>	<ol style="list-style-type: none"> 1) Object attached to the test port is not secure. 2) Contaminated oil in the rough pump. 3) Miscalibrated test port pirani. 4) Defective test port pirani. 	<ol style="list-style-type: none"> 1) Reattach the Test Object to the Test Port. 2) Change the Oil in the Rough Pump. 3) Recalibrate the Test Port Pirani. 4) Replace the Test Port Pirani.
<p>ERROR 18 Printer Error</p> <p>Optional printer is not responding.</p>	<p>The system will display the error. All other functions will continue. This error is not self clearing. To clear the error, place the unit in Standby mode and press the Zero momentary switch.</p>	<ol style="list-style-type: none"> 1) Printer not switched on. 2) No paper in printer. 3) Defective cable between the unit and the printer. 4) Cable not securely attached to the printer or to the leak detector 5) Defective printer. 	<ol style="list-style-type: none"> 1) Switch printer on. 2) Add paper to printer. 3) Replace printer cable. 4) Reattach printer cable. 5) Repair or replace printer.
<p>ERROR 20 Gain Too Low Error</p> <p>At end of a Tune or Calibration cycle, one of the system gains (either G2 or G3) has been set below the allowable limits.</p>	<p>The system will display the error on the user panel. Testing will not be allowed. This error is not self clearing and may only be cleared by performing a successful Tune or Cal Check/Cal sequence</p>	<ol style="list-style-type: none"> 1) The value of the internal calibrator has been programmed incorrectly. 2) The Tune cycle was interrupted, or there is a problem with the selected filament. 	<ol style="list-style-type: none"> 1) Reprogram the internal calibrator leak rate and temperature to the values stamped on the calibrator. 2) Switch to the other filament and re-tune the unit.

Error Code/Explanation	System Response	Probable Cause	Corrective Action
<p>ERROR 22: Temperature Low Error</p> <p>The temperature sensor indicates a reading below 10°C.</p>	<p>After a twenty second delay, the unit will again measure the temperature. If the temperature is still too low, the unit will measure the temperature ten successive times to see if the temperature is within an acceptable range. If the temperature is still too low the unit will shut down.</p>	<ol style="list-style-type: none"> 1) Ambient temperature is too low for the unit to function properly. 2) Defective temperature sensor. 3) Defective circuit board A. 	<ol style="list-style-type: none"> 1) The unit must be placed in an area with a higher ambient temperature. 2) Replace sensor. 3) Replace circuit board A.
<p>ERROR 23: Can't Peak Error</p> <p>During a Tune cycle, while the unit scans the voltages emitted by the source, the unit cannot identify a leak rate peak (indicating helium).</p>	<p>System aborts the Tune cycle. In order to resume testing or to attempt to re-tune the unit, place the unit in Standby Mode and press the ZERO momentary switch.</p>	<ol style="list-style-type: none"> 1) Filament was shut off or switched during tuning 2) Filament failed during the Tune cycle. 3) Magnets attached to Mass Spectrometer housing are improperly aligned. 4) Contaminated Source. 	<ol style="list-style-type: none"> 1) Verify that the desired filament is selected and on, and reattempt the Tune cycle. 2) Switch to the other filament, verify that it is working (green LED) and reattempt Tune cycle. 3) Realign or replace the magnets attached to the spectrometer housing. 4) Clean the Source.
<p>ERROR 24: High Gain Error</p> <p>At the end of a Tune cycle or a Calibration function, the unit cannot supply a "gain" (G2 or G3) within system limits (maximum 10.0)</p>	<p>The system will display the error on the User Panel. This error is not self-clearing. The error may only be cleared by performing a successful Tune or Cal Check/Cal sequence.</p>	<ol style="list-style-type: none"> 1) Tune cycle was interrupted 2) The internal calibrator leak rate has been programmed incorrectly. 3) Filament emission is unstable or below five millamps. 4) Mass Spectrometer has become significantly contaminated. 5) Internal calibrator has failed. 	<ol style="list-style-type: none"> 1) Perform another Tune or Calibration Check procedure. 2) Reprogram the calibrator leak rate and temperature to the values stamped on the calibrator. 3) Check that the filament emission is stable and at approximately 5 millamps (by using the Emission function on the Service Panel). If the emission is not stable replace the filament. 4) Clean the Mass Spectrometer housing, then retune. 5) Replace the internal leak standard.

Error Code/Explanation	System Response	Probable Cause	Corrective Action
<p>ERROR 26: Turbo Fail Error</p> <p>The system has detected an error with the turbomolecular pump system</p>	<p>The system has shut off the filament, rough pumps, turbomolecular pump and has closed all valves</p>	<ol style="list-style-type: none"> 1) Defective "A" circuit board. 2) Turbomolecular pump electronic controller has failed. 3) Turbomolecular pump has failed. 	<ol style="list-style-type: none"> 1) Replace the "A" circuit board 2) Replace the turbomolecular pump controller 3) Replace the turbomolecular pump
<p>ERROR 30: Handheld Remote Error</p> <p>Transmission error between the handheld remote and the main unit.</p>	<p>The handheld remote functions are inoperative. This error is not self-clearing. To clear the error and resume the test cycle, place the unit in Standby Mode and press the ZERO momentary switch.</p>	<ol style="list-style-type: none"> 1) Plug for cable is not properly connected. 2) Handheld remote cable is defective. 3) Defective remote. 	<ol style="list-style-type: none"> 1) Ensure that the connection between the cable and the unit is secure. 2) Replace the cable. 3) Replace the remote.
<p>ERROR 33: Repeller Fail Error</p> <p>There is a discontinuity in the circuitry for the Mass Spectrometer Source repeller.</p>	<p>The system will continue to operate, but testing will not be allowed.</p>	<ol style="list-style-type: none"> 1) The Source repeller is broken or contaminated. 2) The circuit board card B is defective. 	<ol style="list-style-type: none"> 1) Rebuild or replace the Source. 2) Replace circuit board B.

CHAPTER FIVE

Parts List

5.1 Introduction

This chapter contains a listing of recommended spare parts for the Spectron 600 (Section 5.2) plus a detailed listing of vacuum system and valve block components necessary for service and repair of the unit (Section 5.3). Exploded views of the vacuum system and valve block are illustrated in Figures 5-1 and 5-2. Both illustrations contain item numbers for the replaceable components of the sub-system. Each illustration has an accompanying table where the numbered components in the illustration are listed, along with an Edwards part (catalog) number and a brief description of the item. The information in this chapter, in conjunction with the instructions found in the preceding chapters will allow service personnel to disassemble, repair and reassemble virtually any worn or malfunctioning component contained within the Spectron 600.

5.2 Recommended Spare Parts for the Spectron 600

DESCRIPTION	PART NUMBER
Mass Spectrometer:	D155-01-816
Source Assembly	D155-01-817
Source Rebuild Kit	D155-01-815
Collector Assembly	D155-01-818
Filament Kit	D155-01-820
Internal Rough Pump (600T):	
E2M1.5 Pump - 115V/50-60 Hz	A371-22-902
E2M1.5 Pump - 230V/50-60 Hz	A371-22-919
Internal Rough Pump (600D):	
Diaphragm Pump - 115V/60Hz	D155-04-115
Diaphragm Pump - 230V/50Hz	D155-03-230
Diaphragm Pump - 100V/50Hz	D155-03-100
Drag Pump	D155-03-300
Drag Pump Power Supply	D155-03-310
External Rough Option Kit	D155-01-540
Turbomolecular Pump (EXT70):	B722-01-000
Turbo Controller	D396-20-000
Cable	D396-18-010
Pirani Gauge:	D155-02-826

DESCRIPTION	PART NUMBER
Circuit Boards:	
A Board	D155-01- 850 ⁸⁵⁵
B Board	D155-01-851
C Board	D155-01-852
D Board	D155-01-853
CPU Board	D155-01-854
Maintenance Kit (600T):	D155-01-800
O-Ring Kit	D155-02-800
Air Filter	D155-02-827
Pump Exhaust Filter	D155-02-840
Filament Kit, Box of 5	D155-02-820
High Vacuum Grease	U300-02-075
Mechanical Pump Oil	H110-26-015
Tool Kit	D155-01-825
LED Start Switch	D155-02-854
Fuse; 90 - 115V	D155-02-853
Fuse; 200 - 260V	D155-02-852
Filter, Silencer, 1/4" NPT	D155-02-842
Filter, Silencer, 1/8" NPT	D155-02-844
Maintenance Kit (600D):	See Spectron 600D Addendum

5.3 Optional Accessories

DESCRIPTION	PART NUMBER
Cart	D155-01-500
Stanless Steel Cart	D155-05-500
Hand Held Remote	D155-01-510
Vacuum Sniffer Probe	D155-01-520
Hard Travel Case	D155-01-530
External Roughing Option Kit	D155-01-540

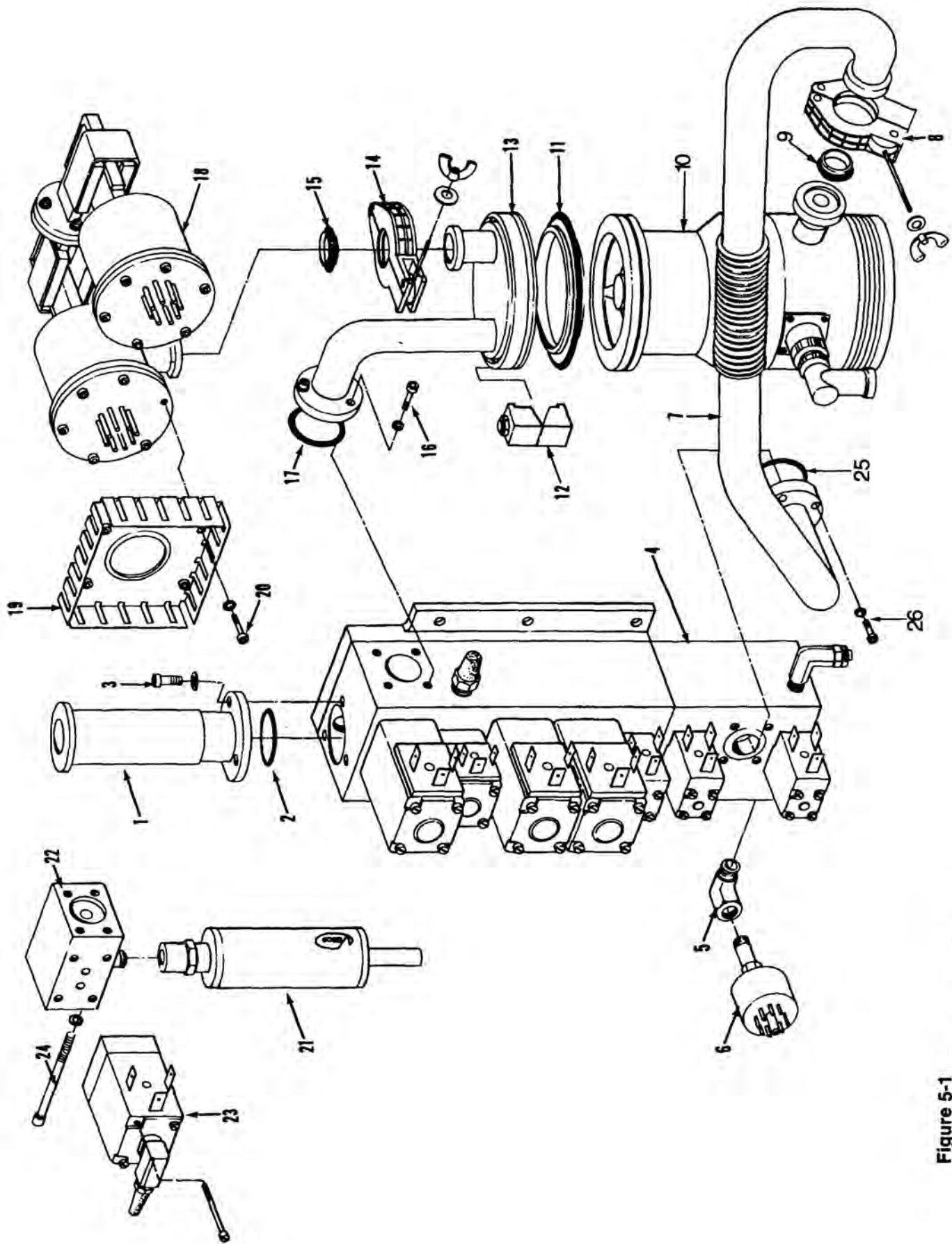


Figure 5-1
Spectron 600 Vacuum System
(Exploded View)

5.4 Other Components

Refer to figures 5-1 and 5-2 for exploded views of the Spectron 600 **Vacuum System** and **Valve Block**, respectively. The numbered parts in each illustration are listed, along with their Edwards part number and a brief description, in the accompanying tables.

TABLE 5-1
VACUUM SYSTEM

ITEM #	EDWARDS P/N	DESCRIPTION
1	D155-02-820	Test Port
2	D155-02-808	O-ring, Test Port Manifold
3	Commercial	Screw, #10-32 x 7/16"
	Commercial	Lockwasher, #10
4	-----	Valve Block Assembly
5	D155-02-834	Elbow, 1/4" NPT, M/F
6	D155-02-826	Pirani Gauge, Foreline
7	D155-02-825	Manifold, Foreline
8	C105-12-304	Clamp, NW16
9	C105-12-394	Centering Ring, NW16
10	B722-01-000	Turbomolecular Pump
11	B271-58-170	Centering Ring, ISO 63
12	D155-02-830	Claw Clamp
13	D155-02-823	Manifold, High Vacuum
14	C105-12-304	Clamp, NW16
15	C105-12-394	Centering Ring, NW16
16	Commercial	Screw, #10-32 x 7/16"
	Commercial	Lockwasher, #10
17	D155-02-807	O-Ring, High Vacuum Manifold
18	D155-01-816	Mass Spectrometer Assembly

19	D155-02-824	Heat Sink
20	Commercial	Screw, #6-32 x 1/2", Socket Head Cap
	Commercial	Lockwasher
21	D155-02-816	Calibrator Body
	D155-02-851	Calibrator Temperature Sensor Assembly
22	—————	Calibrator Valve Block
23	D155-02-850	Calibrator Valve
	D155-02-844	Filter, Sintered, 1/8" NPT
24	Commercial	Screw, #8-32 x 1 3/8"
	Commercial	Lockwasher, #8
25	D155-02-806	O-Ring, Foreline Manifold
26	Commercial	Screw, 10-32 x 7/16", Socket Head Cap
	Commercial	Lockwasher, #10

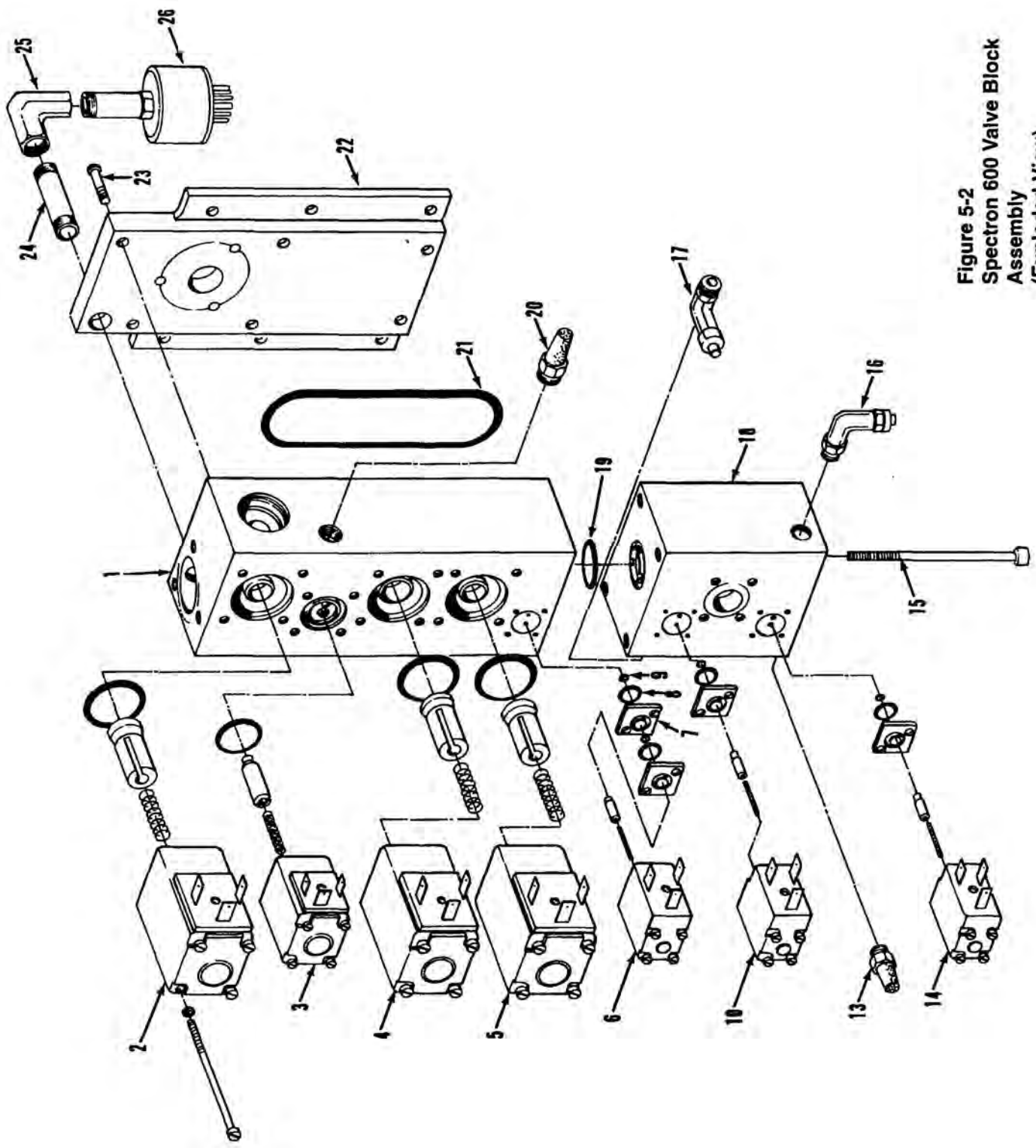


Figure 5-2
Spectron 600 Valve Block
Assembly
(Exploded View)

**TABLE 5-2
VALVE BLOCK ASSEMBLY**

ITEM #	EDWARDS P/N	DESCRIPTION
1	D155-02-817	Upper Valve Block
2	D155-02-845	Fine (Direct Valve)
	D155-02-802	Replacement O-Ring, Fine Valve
3	D155-02-846	Vent Valve
	D155-02-814	Replacement O-Ring, Vent Valve
4	D155-02-847	Rough Valve (100 - 115V Systems)
	D155-02-848	Rough Valve (230 - 240V Systems)
	D155-02-802	Replacement O-ring, Rough Valve
5	D155-02-845	Foreline (Reverse) Valve
	D155-02-802	Replacement O-Ring, Foreline Valve
6	D155-02-849	Gross Valve
	D155-02-831	Screw, Pan Head, M3 x .5, 45mm 1g.
	D155-02-811	Replacement O-Ring, Gross Valve Manifold
	D155-02-812	Replacement O-Ring, Gross Valve Manifold
	D155-02-813	Replacement O-Ring, Gross Valve Body
7	D155-02-822	Gross Restrictor Plate
8	D155-02-810	O-Ring, Gross Restrictor Plate
9	D155-02-801	O-Ring, Gross Restrictor Plate
10	D155-02-849	Sniff Valve
	D155-02-811	Replacement O-Ring, Sniff Valve Body
	D155-02-812	Replacement O-Ring, Sniff Valve Body
	D155-02-813	Replacement O-Ring, Sniff Valve Body

13	D155-02-844	Filter, Sintered, 1/8" NPT
14	D155-02-849	Purge Valve
	D155-02-811	Replacement O-Ring, Purge Valve Manifold
	D155-02-812	Replacement O-Ring, Purge Valve Manifold
	D155-02-813	Replacement O-Ring, Purge Valve Body
15	Commercial	Screw, #10-32 x 1 3/4", Socket Head Cap
	Commercial	Lockwasher, #10
16	D155-02-832	Elbow, 1/8" NPT to 1/4" Tube, Purge
17	D155-02-832	Elbow, 1/8" NPT to 1/4" Tube, Sniff
18	D155-02-818	Lower Valve Block
19	D155-02-806	O-Ring, Valve Block
20	D155-02-842	Filter, Sintered, 1/4" NPT
21	D155-02-809	O-Ring, Valve Block Cover
22	D155-02-819	Valve Block Cover
23	Commercial	Screw, #10-32 x 7/8", Flat Head
24	D155-02-835	Nipple, 1/4"NPT, Long
25	D155-02-839	Elbow, 1/4" NPT, Female
26	D155-02-826	Pirani Gauge, Test Port

APPENDIX A

Glossary Of Terms Used In Leak Detection

1. **Leak** - In vacuum technology a hole, or porosity, in the wall of an enclosure capable of passing gas from one side of the wall to the other under action of a pressure or concentration differential existing across the wall.
2. **Gross Leak** - A leak which exhibits a leak rate in the range of 10^{-4} to 1 atm cc/sec or higher.
3. **Fine Leak** - A leak which exhibits a leak rate in the range of 10^{-5} to 10^{-11} atm cc/sec or lower.
4. **Leak Rate** - In leak detection practice, leak rate is defined as the rate of flow (in pressure-volume units per unit time) through a leak with gas at a specified high pressure (usually atmospheric pressure) on the inlet side and gas at a pressure on the exit side which is low enough to have negligible effect on the rate of flow.
5. **Leak Detector** - A device for detecting and locating leaks, and indicating the magnitude thereof.
6. **Tracer Gas** - A gas which, passing through a leak, can then be detected by a specific leak detector and thus disclose the presence of a leak. Also called *search gas*.
7. **Probe Gas** - A tracer gas which issues from a more-or-less fine orifice so as to impinge on a restricted test area.
8. **Pressure Testing** - A leak detecting procedure in which tracer gas is introduced under pressure into the enclosure under examination, and detected as it is emitted from a leak.
9. **Soap Bubble Test** - A type of pressure testing in which the tracer gas is detected by bubbles formed in a layer of soap solution applied to the surface of the test object.

10. **Vacuum Testing** - A leak detecting procedure in which the enclosure under examination is evacuated, a tracer gas applied to the outside surface of the enclosure, and the gas detected after entering the enclosure.
11. **Mass Spectrometer Leak Detector** - A mass spectrometer adjusted to respond only to tracer gas. Helium is commonly used as the tracer gas, and thus the instrument is normally referred to as a *helium leak detector*.
12. **Spectrometer Tube** - The sensing element of a mass spectrometer leak detector.
13. **Ion Source** - That part of a spectrometer tube in which tracer gas is ionized preliminary to being detected.
14. **Noise Level** - In the case of a leak detector, the spurious output, expressed in suitable terms, exhibited by the detector in the absence of an output due to tracer gas.
15. **Background** - In the case of a leak detector, the spurious output, expressed in suitable terms, due to the response to other gases than the actual gas being used for probing. The background may be inherent in the detector, or accidental.
16. **Minimum Detectable Pressure Change** - The pressure producing an indication of three times the noise level.
17. **Minimum Detectable Leak**
 - a. The size of the smallest leak, expressed in terms of mass flow per unit time that can be unambiguously detected by a leak detector in the presence of noise and background.
 - b. The product of the minimum detectable pressure change and the pumping speed at the detector
18. **Probe Test** - A leak test in which the tracer gas is applied by means of a probe (see below) so that the area covered by the tracer gas is localized. This enables the individual leaks to be located.
19. **Probe** - A tube having a fine opening at one end, used for directing a stream of tracer gas.

20. **Sampling Probe** - A device used in pressure testing and so designed as to collect tracer gas from a restricted area of the test object and feed it to the leak detector. Also called *pressure probe* or *sniffer*.
21. **Hood Test** - An overall test in which an object under vacuum test is enclosed by a "hood" which is filled with tracer gas so as to subject all parts of the test object to examination at one time.
22. **Isolation Test** - A method of determining whether a leak is present in a system, or of obtaining an estimate of its magnitude, by observing the rate of rise of pressure in the evacuated system when the system is isolated from the pump. Also called *rate of rise test*.
23. **Masking** - The covering of a section of a test object so as to prevent tracer gas from entering leaks that may exist in the covered section.
24. **Flooded System** - A system which, while being leak tested under vacuum, becomes so filled with tracer gas as to make impracticable further leak detection by means of a probe.
25. **Helium Drift** - In the case of leak detection with a helium probe, the drift of helium to a leak or permeable gasket located at a point sufficiently remote from the end of the probe to mislead the operator into suspecting the area near the probe.
26. **Standard Leak**
 - a. A device which permits leakage through it, at a specified rate, of a specified gas, with atmospheric pressure at one end of the device and a pressure on the other side sufficiently low to have negligible effect on the leak rate.
 - b. A capillary or porous wall leak, usually in a glass or metal tube, whose dimensions have been adjusted to give a conductance within specified limits for a specified gas at a standard reference temperature with specified inlet and exit pressures. Standard leaks for attaching to vacuum test manifolds with air at atmospheric pressure exposed to the inlet are usually protected by filters to avoid clogging by dust particles. Standard leaks for calibrating mass spectrometers are usually fused to a glass reservoir containing the specified gas at a known high pressure.
 - c. A device providing a known throughput into a vacuum system. Also referred to as a *calibrated leak*.

APPENDIX B

A.V.S. Standards

Standards of the American Vacuum Society for the Testing of Mass Spectrometer Leak Detectors

The following paragraphs are extracted, with permission of the American Vacuum Society, from AVS Standards used in defining and testing the operation of mass spectrometer leak detectors. They have been selected because of their application in the testing of Edwards leak detectors. Copies of complete AVS Standard 2.1 ("Calibration of Leak Detectors of the Mass Spectrometer Type") and AVS Standard 2.3 ("Procedure for the Calibration of Gas Analyzers of the Mass Spectrometry Type") are available by writing to Edwards.

© Copyrights 1972, 1973 by the American Vacuum Society

AVS Standard 2.1

3.1 BACKGROUND

3.1.1 General

In general, background is the total spurious indication given by the leak detector without injected search gas. Background can originate in either the mass spectrometer tube or the associated electric and electronic circuitry, or both. (Frequently, the term is used to refer specifically to the indication due to ions other than those produced from injected search gas).

3.1.2 Drift

The relatively slow change in the background. The significant parameter is the maximum drift measured in a specified period of time.

3.1.3 Noise

The relatively rapid changes in the background. The significant parameter is the noise measured in a specified period of time.

3.1.4 Helium Background

Background due to helium released from the walls of the leak detector or leak detection system.

3.4 LEAKS

3.4.1 Leak (n)

In vacuum technology a hole, porosity, permeable element, or other structure in the wall of an enclosure capable of passing gas from one side of the wall to the other under action of a pressure or concentration difference existing across the wall.

Also, a device which can be used to introduce gas into an evacuated system.

3.4.1.1 Channel Leak

A leak which consists of one or more discrete passages that may be ideally treated as long capillaries.

3.4.1.2 Membrane Leak

A leak which permits gas flow by permeation of the gas through a nonporous wall. For helium, this may be a wall of glass, quartz, or other suitable material.

3.4.1.3 Molecular Leak

A leak through which the mass rate of flow is substantially proportional to the reciprocal of the square root of the molecular weight of the flowing gas.

3.4.1.4 Viscous Leak

A leak through which the mass rate of flow is substantially proportional to the reciprocal of the viscosity of the flowing gas.

3.4.2 Calibrated Leak

A calibrated leak for which the rate of leakage is known under standard conditions, namely, $23\pm 3^{\circ}\text{C}$, a pressure of 760 Torr $\pm 5\%$ at one end of the leak, and a pressure at the other end so low as to have a negligible effect on the leak rate.

3.4.3 Virtual Leak

The semblance of a leak due to the evolution of a gas or vapor within a system.

3.5 LEAK RATES

3.5.1 Leak Rate

The mass rate (also called "throughput"; differentiated from volume rate of flow (liters/sec) also called pumping speed), in Torr liters/sec (or Pa m³/sec) at which a specified gas passes through a leak under specific conditions.

3.5.2 Standard Air Leak Rate

The mass rate of flow, through a leak, of atmospheric air of dew point less than -25°C under standard conditions specified as follows: the inlet pressure shall be less than 760 Torr ±5%, the outlet pressure shall be less than 10 Torr and the temperature shall be 23±3°C.

3.5.3 Equivalent Standard Air Leak Rate

Short path leaks having standard air leak rates less than 10⁻⁶-10⁻⁷ Torr liters/sec (10⁻⁷-10⁻⁸ Pa m³/sec) are of the molecular type (see Sec 3.4.1.3). Consequently, helium (mol. wt 4) passes through such leaks more rapidly than air (mol. wt 29) and a given flow rate of helium corresponds to a smaller flow rate of air. In this recommendation, helium flow is measured and the "equivalent standard air leak rate" is taken as $(4/29)^{1/2} = 0.37$ times the helium leak rate under standard conditions (see Sec 3.5.2).

3.8 SENSITIVITY TERMS

3.8.1 Sensitivity

The sensitivity of a device is the change in output of the device divided by the change in input which caused the response.

3.8.2 Minimum Detectable Signal

An output signal due to incoming search gas which is equal in magnitude to the sum of the noise and the drift.

3.8.3 Minimum Detectable Leak (or Minimum Detectable Leak Rate)

The smallest leak, as specified by its standard air leak rate, that can be detected unambiguously by a given leak detector. The minimum

detectable leak rate depends on a number of factors. One of the purposes of this Standard is to describe practical procedures for determining minimum detectable leak rate, taking into account background, volume rate of flow (pumping speed), and time factor.

3.8.4 Minimum Detectable Concentration Ratio

The smallest concentration ratio of a given search gas in an air mixture that can be detected unambiguously by a given leak detector when the mixture is fed to the detector at such a rate as to raise the pressure in the instrument to some optimum high value. In this Standard, the minimum detectable leak rate is calculated by a somewhat arbitrary procedure from observations of the response of leak detector to a helium-air mixture of known helium concentration ratio.

5 Test Procedure Minimum Detectable Leak

5.1 DRIFT AND NOISE OBSERVATION

5.1.1

The output of the leak detector is connected to the recorder, the leak detector being at its maximum sensitivity setting and the inlet valve closed.

5.1.2

The leak detector backing-off (or zero) control is adjusted so that the recorder reading is approximately 50% of full scale, the filament being on.

5.1.3

The output is recorded for 20 min. or until the output has reached full scale, for positive drift, or zero, for negative drift.

5.1.4

Draw a series of line segments intersecting the curve recorded in Sec. 5.1.3, the lines to be drawn at 1-min. intervals at right angles to the time axis (abscissa) of the chart, and to commence at the point where the procedure of Sec. 5.1.3 is started. The lines so drawn will be called the "1-min lines."

Draw straight-line approximations for each segment of the curve between adjacent 1-min lines.

5.2 DRIFT AND NOISE DETERMINATION

5.2.1

Examine the straight line approximations of Sec. 5.1.4 to determine that 1-min segment of the output curve having the greatest slope. This greatest slope is measured in scale divisions per minute and is called the drift. If the greatest slope is less than the scale divisions corresponding to 2% of full scale of the recorder, the total (absolute) change in output over the 20-min period is determined. The total change is divided by 20 is then called the drift.

5.2.2

For each 1-min segment of the curve, determine the maximum (absolute) deviation of the recorded curve from the straight-line approximation.

5.2.3

The average of these maximum deviations, multiplied by 2, is called the noise (scale divisions).

Note: In determining the noise, neglect any large deviation (spike) which occurs less frequently than once in any 5-min interval.

5.3 MINIMUM DETECTABLE SIGNAL

The minimum detectable signal is taken to be equal to the sum of the absolute values of the drift and of the noise. It should be measured in scale divisions. If the sum is less than the scale divisions corresponding to 2% of full scale, then the scale divisions corresponding to 2% of full scale is called the minimum detectable signal.

5.4 SENSITIVITY DETERMINATION

5.4.1 Arrangement of Apparatus

The leak detector is connected to an auxiliary system. (Frequently, the auxiliary system is included with the leak detector as an integral part thereof).

The system should contain a minimum of rubber or other polymeric surfaces. Preferably, such surfaces should consist only of the exposed surfaces of an O-ring or O-rings. Accordingly, the "Leak Isolation Valve"

should preferably be of all-metal construction, but in any case should not act as a significant source of adsorbed or absorbed helium.

5.4.2 Spurious Signal Correction

Note: This determination requires the use of the small calibrated leak. If the calibrated leak has its own integral valve, and the leak and valve are all-metal construction (except perhaps for the membrane in a membrane-type leak), Sec. 5.4.2 may be omitted from the procedure.

5.4.2.1

A metal plug is connected to the leak detector

5.4.2.2

The output is zeroed, with the filament on.

5.4.2.3

The leak isolation valve is opened.

5.4.2.4

The pump valve is opened. (*Note: For its safety, the filament of the mass spectrometer tube may be turned off at this point.*)

5.4.2.5

When the atmospheric air present between the plug and the inlet valve has been evacuated, the pump valve is closed.

5.4.2.6

The inlet valve is opened promptly, but gradually. The pressure in the leak detector is allowed to reach a steady value, showing no observable change in a 1-min period.

5.4.2.7

Turn on filament of mass spectrometer tube if it is not on.

5.4.2.8

When the output has reached a steady value, but in any case not longer than 3 min after Sec. 5.4.2.6. the output reading is noted. If the leak detector has been set at reduced sensitivity, the reading should be converted to equivalent scale divisions for full-sensitivity setting.

5.4.2.9

Close the leak isolation valve as rapidly as feasible.

5.4.2.10

Note the output reading 10 seconds after closing the isolation valve. As in 5.4.2.8., convert the reading if necessary.

5.4.2.11

Subtract the reading noted in 5.4.2.10 from that noted in 5.4.2.8. If the difference is negative, it is to be considered equal to zero. The difference will be called the "spurious-signal correction" and will be applied in Sec. 5.4.3.14.

5.4.2.12

Close the inlet valve.

5.4.2.13

Open the vent valve.

5.4.2.14

Remove only the plug from the inlet line; all connections are to remain in place.

5.4.2.15

Close the vent valve.

5.4.3 SENSITIVITY

5.4.3.1

Connect the all-metal leak to the leak detector. However, if the procedure of 5.4.2. was necessary, the small calibrated leak is put in place of the plug removed in 5.4.2.14 above, the leak being inserted the same distance into the connection as the plug had been.

5.4.3.2

The output is zeroed with the filament on.

5.4.3.3

The leak isolation valve is opened.

5.4.3.4

The pump valve is opened.

5.4.3.5

Helium at 760 Torr $\pm 5\%$ pressure is applied to the leak. If the leak has its own supply of helium, this step is omitted. (*Note: the filament of the mass spectrometer tube may be turned off before Sec. 5.4.3.6.*)

5.4.3.6

When the atmospheric air present between the calibrated leak and the leak detector has been evacuated, the pump valve is closed.

5.4.3.7

The inlet valve is opened promptly after Sec. 5.4.3.6. The pressure in the leak detector is allowed to reach a steady value, showing no observable change in 1 min.

5.4.3.8

Turn on filament of mass spectrometer tube if it is not on.

5.4.3.9

At this point it may be necessary to change the sensitivity setting. When the output signal has reached a steady value, showing a change in 1 min which is not greater than the drift (as corrected for the sensitivity setting), the output reading in scale divisions is noted. If the leak detector has been set at reduced sensitivity, the reading should be converted to the equivalent scale divisions for full-sensitivity setting.

5.4.3.10

Immediately after the preceding step, the stopwatch is started and simultaneously the leak isolation valve is closed as rapidly as practical. Alternatively, the recorder chart may be marked to indicate the beginning of the timed period and the leak isolation valve then closed rapidly.

5.4.3.11

The output is observed continuously and the stopwatch is stopped when the reading has decreased to 37% of the reading observed in Sec. 5.4.3.9. The reading of the stopwatch is noted (T sec.). Alternatively, the recorder chart is examined to determine the time T required for the specific decrease in output. T is the response time (Sec. 3.9.2).

Note: Should response time be a function of sensitivity setting, T as observed should be corrected to response time at full sensitivity setting, if any other setting was used.

5.4.3.12

One minute after closing the leak valve (see Sec. 5.4.3.10), the output is read and noted. Correct for sensitivity setting as in 5.4.3.9.

5.4.3.13

The uncorrected signal due to the calibrated leak shall be taken as the difference between the reading noted in 5.4.3.9, and that noted in 5.4.3.12, the required conversion of these readings to equivalent scale divisions at full-sensitivity setting have been made.

5.4.3.14

The corrected signal due to the calibrated leak is taken as the difference between the uncorrected signal, Sec. 5.4.3.13, and the spurious signal correction in 5.4.2.11. The sensitivity is calculated by the formula below and should always be stated together with the response time, **T**:

The units are scale divisions (on full sensitivity setting) per unit leak rate (Secs. 3.5 and 3.8).

Sensitivity, with Response Time, T =

$$\frac{\text{Signal due to Calibrated Leak}}{\text{Standard or Equivalent Standard Air Leak Rate of Calibrated Leak}}$$

5.5 MINIMUM DETECTABLE LEAK

Referring to Secs. 5.3 and 5.4.3.14, this is calculated from the formula
Minimum Detectable Leak, with Response Time **T** =

$$\frac{\text{Minimum Detectable Signal}}{\text{Sensitivity}}$$

The units are those of leak rate.

AVS Standard 2.3

2.3 SCANS

A scan is usually shown as a trace on a recorder chart, the abscissa is time, mass, voltage, gauss, etc., and the ordinate is assumed proportional to ion current or "output". It can also be shown as a table of values, an oscilloscope trace, etc. (The term "mass spectrum" is synonymous with scan or mass scan.) In this standard, it will be assumed for sake of simplicity that the scan is a recorder trace (see Sec. 7.4 "Recorder"), and that the recorder displacements are proportional to input currents.

3.11 PEAK WIDTH, W

In a graphical spectrum, the length of the base of a peak, the base being defined by the intersection or tangency of the legs of the peak with a reference base line. The specification of such a reference line is an important function of this standard. In some discussions, the symbol Δm or ΔM is used for peak width rather than W. The units of W are atomic mass units; in some cases, a conversion of units may be necessary (see 2.3 and 4.1).

3.16 RESOLUTION

3.16.1 General Definition

The ability, or a measure of the ability, of a mass spectrometer to separate the peaks produced by ions of different mass/charge ratios.

3.16.2 Absolute Resolution. (*See General Definition above*).

A measure of the ion-separating ability of a mass spectrometer, at a given mass M , given by the peak width, W , at M :

$$\text{Absolute resolution (at } M) = W \text{ amu}$$

3.16.3 Unity Resolution Mass(es).

The mass number(s) at which the absolute resolution is one (amu) or "unity".

3.16.4 Resolving Power.

At a given mass M , the ratio of M to peak width W :

$$\text{Resolving Power} = \frac{M}{W} = \frac{M}{M} \quad (\text{see 3.11})$$

4 Discussion of Resolution

4.1 MASS SCALE

Some mass spectrometers produce a graphical scan having an abscissa which is not linear in mass number. It then becomes necessary, for the calculation of resolution, to convert the abscissa to a linear mass scale. To do this, it is assumed that, for a *sufficiently small* range of mass numbers, the abscissa *is* actually *linear* in mass number. To convert from the abscissa scale to mass units, the following formula is used:

$$L = \frac{S'}{M_1 - M_2} = \frac{S'}{\Delta M}$$

where:

S = peak separation in any convenient units (centimeters, volts, cycles per second, etc.)

L = the number of units, of the kind chosen for S , equivalent to 1 mass unit

M_1 = mass of peak at which resolution is to be determined

M_2 = mass of a neighboring peak $\Delta M = M_1 - M_2$

Then, if W' is the peak width in the same units as those of S' ,

$$\begin{aligned} \text{Absolute Resolution} &= \frac{W'}{L} \quad (\text{by definition}) \\ &= M \times W / S \end{aligned}$$

7.4 RECORDER

This standard requires that the output of the gas analyzer being tested be graphically presented by means of chart recorder. The recorder shall be an instrument which traces a continuous line and which has a time constant (63%) not greater than one second. The recorder shall be so buffered that there is no interaction between the recorder and the meter or other output-indicating device of the gas analyzer; i.e., so that the velocity of response of neither generates sufficient electrical signal to affect the indication of the other. If the recorder is connected in parallel with the output indicator, this interaction will become negligible if each has an input resistance 1000 times that of their common voltage source, or if the recorder draws 1/1000 as much current as the indicator.

While some recorders have automatic decade-switching capabilities, it will be assumed that this recorder can cover only a single linear range; it is also assumed that the recorder displacement is proportional to the input current. In those cases where the analyzer has an output meter, controls shall be available which permit adjusting the zero of the recorder to the zero of the meter, and full-scale deflection of the recorder to full-scale deflection of the meter. This is necessary to permit direct correlation of the meter and recorder indications and also to prevent possible injury to one or more of these devices. However, in order to prevent complications in the language of this standard, it will be assumed that the recorder is the only output indicating device, and that controls for adjusting zero indication and for attenuating output indication act directly on the recorder.

APPENDIX C

Unit Conversion Tables

The following tables are provided for easy conversion of values between commonly used units of pressure and leak rate

- **Table A:** Pressure Conversion Chart
- **Table B:** Leak Rate Conversion Chart

Table A
Pressure Conversion Chart

FROM \ TO	ATM	PSI	TORR	MICRON	PASCAL (0° C)	mm Hg (32° F)	in Hg (60° F)	in Hg (60° F)	in H ₂ O	DYNE/cm ²	BAR	MILLIBAR
ATM	1	14.7	760	7.6x10 ⁵	1.01x10 ⁵	760	29.92	30.01	407	1.01x10 ⁶	1.01	1.01x10 ³
PSI	6.8x10 ⁻²	1	5.17x10 ¹	5.17x10 ⁻⁴	6.89x10 ³	5.17x10 ¹	2.04	2.04	27.71	6.89x10 ³	6.89x10 ⁻²	6.89x10 ¹
TORR	1.32x10 ⁻³	1.93x10 ⁻²	1	1.0x10 ³	1.33x10 ²	1.0	3.94x10 ⁻²	3.95x10 ⁻²	5.36x10 ⁻¹	1.33x10 ²	1.33x10 ⁻²	1.33
MICRON	1.32x10 ⁻⁴	1.93x10 ⁻³	1.0x10 ⁻³	1	1.33x10 ¹	1.0 x10 ⁻³	3.94x10 ⁻³	3.95x10 ⁻³	5.36x10 ⁻²	1.33	1.33x10 ⁻³	1.33x10 ⁻³
PASCAL	9.87x10 ⁻⁴	1.45x10 ⁻³	7.5x10 ⁻³	7.5	1	7.5x10 ⁻³	2.95x10 ⁻³	2.96x10 ⁻³	4.02x10 ⁻²	10	1.0x10 ⁻³	1.0x10 ⁻²
mm Hg (0° C)	1.32x10 ⁻³	1.93x10 ⁻²	1.0	1.0x10 ³	1.33x10 ²	1	3.94x10 ⁻²	3.95x10 ⁻²	5.36x10 ⁻¹	1.33x10 ²	1.33x10 ⁻²	1.33
in Hg (32° F)	3.34x10 ⁻²	4.91x10 ⁻¹	2.54x10 ¹	2.54x10 ⁴	3.39x10 ³	2.54x10 ¹	1	1.00	1.36x10 ¹	3.39x10 ⁴	3.39x10 ⁻²	3.39x10 ¹
in Hg (60° F)	3.33x10 ⁻²	4.90x10 ⁻¹	2.53x10 ¹	2.53x10 ⁴	3.38x10 ³	2.53x10 ¹	9.97x10 ⁻¹	1	1.36x10 ¹	3.38x10 ⁴	3.38x10 ⁻²	3.38x10 ¹
in H ₂ O (60° F)	2.46x10 ⁻²	3.61x10 ⁻¹	1.87	1.87x10 ³	2.49x10 ²	1.87	7.35x10 ⁻²	7.37x10 ⁻²	1	2.49x10 ²	2.49x10 ⁻²	2.49
DYNE/cm ²	9.87x10 ⁻⁷	1.45x10 ⁻⁶	7.50x10 ⁻⁶	7.5x10 ⁻¹	0.1	7.5x10 ⁻⁴	2.95x10 ⁻⁴	2.96x10 ⁻⁴	4.02x10 ⁻³	1	1.0x10 ⁻⁶	1.0x10 ⁻⁵
BAR	9.87x10 ⁻¹	1.45x10 ¹	7.52x10 ²	7.5x10 ⁵	1.0x10 ⁵	7.5x10 ²	2.95x10 ¹	2.96x10 ¹	4.02x10 ²	1.0x10 ⁶	1	1.0x10 ³
MILLIBAR	9.87x10 ⁻⁴	1.45x10 ⁻³	7.5x10 ⁻¹	7.5x10 ²	1.0x10 ²	7.5x10 ⁻¹	2.95x10 ⁻²	2.96x10 ⁻²	4.02x10 ⁻¹	1.0x10 ³	1.0x10 ⁻³	1

C-11

Table B
Leak Rate Conversion Chart

FROM \ TO	std cm ³ /s	Pa M ³ /s	Pa L/s	mbar L/s	Torr L/s	Kg Mole/s	Air Molecules/s	Air oz/yr	Air mg/s
std cm ³ /s	1	0.10	101.33	1.01	0.76	4.46x10 ⁻⁴	2.69x10 ¹⁶	1.44x10 ⁴	1.29
Pa M ³ /s	9.87	1	1.00x10 ⁶	10.00	7.50	4.40x10 ⁻⁷	2.65x10 ²⁰	1.42x10 ⁴	12.75
Pa L/s	9.87x10 ⁻³	1.00x10 ⁻³	1	0.01	7.50x10 ⁻³	4.40x10 ⁻¹⁰	2.65x10 ¹⁷	14.19	1.28x10 ⁻²
mbar L/s	0.99	0.10	100.00	1	0.75	4.40x10 ⁻⁴	2.65x10 ¹⁶	1.42x10 ⁴	1.28
Torr L/s	1.32	0.13	133.32	1.33	1	5.87x10 ⁻⁴	3.54x10 ¹⁶	1.89x10 ⁴	1.70
Kg Mole/s	2.24x10 ⁻⁷	2.27x10 ⁻⁶	2.27x10 ⁻⁶	2.27x10 ⁻⁷	1.70x10 ⁻⁷	1	6.02x10 ²⁶	3.22x10 ¹⁰	2.90x10 ⁷
Air Molecules/s	3.72x10 ⁻²⁰	3.77x10 ⁻²¹	3.77x10 ⁻¹⁸	3.77x10 ⁻²⁰	2.83x10 ⁻²⁰	1.66x10 ⁻²⁷	1	5.35x10 ⁻¹⁷	4.81x10 ⁻²⁰
Air oz/yr	6.96x10 ⁻⁴	7.05x10 ⁻⁴	7.05x10 ⁻²	7.05x10 ⁻⁴	5.29x10 ⁻⁴	3.10x10 ⁻¹¹	1.87x10 ¹⁶	1	8.99x10 ⁻⁴
Air mg/s	0.77	7.84x10 ⁻²	78.41	0.78	0.59	3.45x10 ⁻⁴	2.08x10 ¹⁶	1.11x10 ⁴	1

C-III

APPENDIX D

Remote Port Specification For Edwards Spectron 600 Series Leak Detectors

(Revision 3-15-97)

WARNING:

This information should only be used by experienced and knowledgeable personnel!

Full PC Remote Control Specification

Using the following specification, software can be written to enable a remote computer to completely control the Spectron 600 Leak Detector. The remote computer can control every function of the leak detector except for service functions. Service Mode cannot be entered by the remote computer.

Pressures, valve status, current state, and other operating parameters can all be monitored over this communications link. All data are transmitted serially and each byte consists of one ASCII character. Each packet of information begins with an ASCII character between the letter 'A' and the letter 'g'. Packets contain a fixed number of bytes and contain all numbers. The description of each packet will clarify this point. Every packet, minus its initial letter, is made up of the ASCII numbers '0' through '9'. The beginning of each packet dictates the end of the previous packet (unless terminated as discussed below).

'A' - Followed by a number.

'1' - indicates that an invalid command was sent by the remote PC. It could mean that the format of the command was incorrect, or an attempt was made to change a parameter to an invalid value.

'Ø' - indicates no command errors.

'B' - Not used in the Spectron 600 at this time.

'C' - Followed by 5 numbers.

Leak Rate Value measured in atm-cc/sec or mbar-l/sec.

(e.g. 05708 = 5.7×10^4 atm-cc/sec)

(e.g. 10010 = 10.0×10^{10} atm-cc/sec)

- 'D' - Followed by 6 numbers.
Foreline Pressure measured in Millitorr (from 0 to 760000 millitorr).
 (e.g. 0f00100 = 100 millitorr)
 (e.g. 760000 = 760000 millitorr)
- 'E' - Followed by 6 numbers.
Testport Pressure measured in Millitorr (from 0 to 760000 Millitorr).
 (e.g. 000100 = 100 millitorr)
 (e.g. 760000 = 760000 millitorr)
- 'F' - Followed by 3 numbers.
High Vacuum Pressure measured in Torr (from 7.5×10^{-4} to 2.6×10^{-5}).
 (e.g. 105 = 1.0×10^{-4} Torr)
 (e.g. 384 = 3.8×10^{-4} Torr)
- 'G' - Followed by 3 numbers.
Filament Current measured in amperes.
 (e.g. 023 = 2.3 Amps.)
- 'H' - Followed by 7 numbers.
Emission Current (first 3 numbers, measured in milliamps):
 4th #: Reject Status ('0', or '1' = Invalid, '2' = Accept, '3' = Reject)
 5th #: Ready Light ('0' = OFF, '1' = ON)
 6th #: Testing Light ('0' = OFF, '1' = ON)
 7th #: Start Light ('0' = OFF, '1' = ON)
 (e.g. 0470100 = 4.7 milliamps, Invalid, Ready ON, Testing OFF, Start OFF)
- 'I' - Followed by 2 numbers.
Present State of the leak detector.
States 0 - 9 preceeded by a 0 (00 - 09).
 00 - First Power
 01 - Power Up
 02 - Power Up
 03 - Power Up

{States 4 - 11 are for Vacuum Mode, Auto-Ranging}
 04 - Standby
 05 - Standby
 06 - Roughing Testport
 07 - Gross Mode Leak Testing
 08 - Reverse Rough Close Delay
 09 - Reverse Mode Leak Testing
 10 - Direct Rough Close Delay
 11 - Direct Mode Fine Leak Testing

{States 12 - 19 are for Vacuum Mode, Manual-Ranging}

- 12 - Standby
- 13 - Standby
- 14 - Roughing Testport
- 15 - Gross Mode Leak Testing
- 16 - Reverse Rough Close Delay
- 17 - Reverse Mode Leak Testing
- 18 - Direct Rough Close Delay
- 19 - Direct Mode Leak Testing

{States 20 - 23 are for Sniffer Mode, Auto-Ranging}

- 20 - Standby
- 21 - Standby
- 22 - Roughing Sniffer Probe
- 23 - Sniffer Mode Leak Testing

{States 24 - 27 are for Sniffer Mode, Manual-Ranging}

- 24 - Standby
- 25 - Standby
- 26 - Roughing Sniffer Probe
- 27 - Sniffer Mode Leak Testing
- 28 - 38 - Automatic Tuning
- 39 - 44 - Checking Calibration
- 45 - Service Mode

- 'J' - Followed by 4 numbers.
Reject Set Point in atm-cc/sec.
(e.g. 2308 = 2.3×10^8 atm-cc/sec. A mantissa of 10^6 will never be sent.)
- 'K' - Followed by 3 numbers.
Crossover #2 or Direct Flow Crossover in millitorr.
(e.g. 020 = 20 millitorr)
- 'L' - Followed by 14 numbers.
System Status information.

#

- 1 — Turbo Pump Status ('0' = OFF, '1' = ON)
- 2 — Filament Status ('0' = OFF, '1' = ON)
- 3 — Vent Valve Status ('0' = CLOSED, '1' = OPEN)
- 4 — Sniff Valve Status ('0' = CLOSED, '1' = OPEN)
- 5 — Gross Valve Status ('0' = CLOSED, '1' = OPEN)
- 6 — Foreline Valve Status ('0' = CLOSED, '1' = OPEN)
- 7 — Fine Valve Status ('0' = CLOSED, '1' = OPEN)
- 8 — Calibrator Valve Status ('0' = CLOSED, '1' = OPEN)

- 9 — Rough Valve Status ('0' = CLOSED, '1' = OPEN)
- 10 — External Rough Valve Status ('0' = CLOSED, '1' = OPEN)
- 11 — Purge Valve Status ('0' = CLOSED, '1' = OPEN)
- 12 — Zero Light Status ('0' = OFF, '1' = ON)
- 13 & 14 — Error Status (see below)

- 01 Foreline Pressure Too High
- 02 High Vacuum Pressure Too High
- 04 Auto Zero Error
- 05 Foreline Pressure Too High To Test
- 07 High Voltage Failure
- 08 Filament Current Too Low
- 09 Temperature Too High
- 10 Emission Current Too Low
- 11 PC Remote Communications Error
- 13 Rough Time Exceeded
- 18 Printer Error
- 22 Temperature Too Low
- 23 Cannot Find Helium Peak
- 24 Gain Too High
- 26 Turbo Pump Failure
- 30 Hand Held Remote Communications Error
- 33 Repeller Heat Failure
- 51 No Errors

(e.g. L11000111000151 = Turbo Pump On, Filament On, Vent Valve Closed, Sniff Valve Closed, Gross Valve Closed, Foreline Valve Open, Fine Valve Open, Calibrator Valve Open, Rough Valve Closed, External Rough Valve Closed, Purge Valve Closed, Auto Zero Light On, No Errors)

'M' - Not used in the Spectron 600.

'N' - Followed by 3 numbers.

Current Calibrator Temperature in Degrees Celsius.
(e.g. 273 = 27.3 °C)

'O' - Followed by 3 numbers.

Anode Voltage measured in Volts.
(e.g. 265 = 265 Volts)
(e.g. 310 = 310 Volts)

- 'P' - Followed by 2 numbers.
For Edwards internal use only!
- 'Q' - Followed by 2 numbers.
For Edwards internal use only!
- 'R' - Followed by 2 numbers.
For Edwards internal use only!
- 'S' - Followed by 4 numbers
Restricted or Gross Flow Gain (G1).
(e.g. 0971 = 9.71 x Gain)
- 'T' - Followed by 4 numbers.
Reverse Flow Gain (G2).
(e.g. 0971 = 9.71 x Gain)
- 'U' - Followed by 4 numbers
Direct Flow Gain (G3).
(e.g. 0971 = 9.71 x Gain)
- 'V' - Followed by 4 numbers.
Crossover #1 or Reverse Flow Crossover in millitorr.
(e.g. 0300 = 300 millitorr)
- 'W' - Followed by 4 numbers
Stamped Leak Rate on Internal Calibrator in atm-cc/sec when state of leak detector is in any state except I-47. When the leak detector is in state I-47, this field will be the temperature compensated value of the internal calibrator. This value is what the leak detector is calibrating to when the internal calibrator is selected as the active calibrator.
(e.g. 6304 = 6.3×10^{-4} atm-cc/sec. A mantissa of 10^0 will never be sent.)
- 'X' - Followed by 2 numbers.
Stamped Temperature on Internal Calibrator in Degrees Celsius.
(e.g. 25 = 25°C)
- 'Y' - Followed by 4 numbers
Fine Crossover Delay (D1) in Tenths of seconds.
('Y' + 4 numbers).
(e.g. 0010 = 1.0 seconds)

Z' - Followed by 4 numbers
Direct Rough Close Delay (D2) in Tenths of seconds.
(e.g. 0010 = 1.0 seconds)

'[' - Followed by 4 numbers
Vent Valve Open Delay (D3) in Tenths of seconds.
(e.g. 0010 = 1.0 seconds)

'\' - Followed by 4 numbers
Vent Valve Close Delay (D4) in Tenths of seconds.
(e.g. 0010 = 1.0 seconds)

]' - Followed by 9 numbers
**Filament #, Helium Mass, Gas Type, Pressure Units, FLASH Rev.,
EPROM Rev, and 1 number for Edwards internal use.**

#

1 — Filament Status ('1' = Filament #1, '2' = Filament #2)

2 — Helium Mass ('3' = He3, '4' = He4)

3 — Gas Type ('0' = Air Equiv. Units, '1' = Helium Units)

4 — Pressure Units ('0' = mTorr, '1' = mBar)

5 & 6 — FLASH Rev. ('33' = FLASH Rev. 3.3)

7 & 8 — EPROM Rev. ('15' = EPROM Rev. 1.5)

9 — Edwards internal use

**(e.g. j140031141 = Filament On, He4, Air Equiv. Units, mTorr, FLASH 3.1,
EPROM 1.4, and a '1' for Edwards internal use.
mode)**

'^' - Followed by 4 numbers.
For Edwards internal use only!

'_' - Followed by 4 numbers.
For Edwards internal use only!

'\'' - Followed by 3 numbers.
Turbo Pump Speed in percent of full speed.
(e.g. 025 = 25% of full speed)
(e.g. 100 = 100% of full speed)

- 'a' - Followed by 4 numbers.
Minimum Gross Testing Time (D5) in Tenths of seconds.
(e.g. 0100 = 10.0 seconds)
- 'b' - Followed by 6 numbers.
Total Running Time in Hours.
(e.g. 000047 = 47 hours)
- 'c' - Followed by 4 numbers.
Minimum Roughing Time (D6) in Tenths of seconds.
(e.g. 0001 = 0.1 seconds)
(e.g. 0142 = 14.2 seconds)
- 'd' - Followed by 4 numbers.
Reverse Rough Close Delay (D7) in Tenths of seconds.
(e.g. 0001 = 0.1 seconds)
(e.g. 0142 = 14.2 seconds)
- 'e' - Followed by 3 numbers.
Profile Switch Setting (0 = 255)
(e.g. 001 = 1)
(e.g. 128 = 128)
- 'f' - Followed by 3 numbers.
Revision Switch Setting (0 = 255)
(e.g. 001 = 1)
(e.g. 128 = 128))
- 'g' - Followed by 6 numbers. (first 5 are the leak rate and the last is reject status). Previous Test Final Leak Rate Value & Reject Status measured in atm-cc/sec or mbar-l/sec. See 'H' for reject status values. This is the leak rate value and reject status of the previous leak test cycle just prior to the termination of the test. It is used for data logging.
(e.g. 057082 = 5.7×10^{-8} atm cc/sec & Accept or Pass)
(e.g. 100103 = 10.0×10^{-10} atm cc/sec & Reject or Fail)

Compatibility mode transmission is as follows:

- Packets 'A' and 'B' are only sent when necessary.
- Packets 'C' through 'I' are sent all the time.
- Packets 'J', 'K', and 'O' through 'g' are sent every 33 times after packets 'L' and 'N'.
- Packets 'L' and 'N' are send every third time after packet 'I'.

The following options are available for serial stream transmission:

1. 'S1Z' will cause packet(s) to be sent continuously. 'SOZ' will halt packet transmission.
2. The user can select individual packet(s) to be sent all the time or on demand.
3. On power-up the Spectron 600 will default to the compatibility mode for serial stream transmission. Transmission will not begin until a remote command to start is issued.
4. The user can terminate each packet with either a carriage return or a line feed. The default will be no terminators. The terminator instruction will be 'TOZ' for no termination. 'T1Z' will enable the carriage return as the terminator. 'T2Z' will enable the line feed as the terminator. Each command will override the previous.
5. The default packet set will be all packets. If a smaller number of packets is desired, then the array can either be cleared or a specific packet can be eliminated from the set. The clear instruction is 'EOZ'. If the Spectron 600 receives this command, only the 'A' packet will be sent. To reset the stream to all packets, the command 'E1Z' should be sent. To stop a specific packet from being sent, the 'Gab0Z' command can be sent to the MS-50 where 'ab' is the packet number (i.e. if 'ab' = '02', then the 2nd packet or 'C' packet will never be sent). To add a packet to the stream, the 'Gab1Z' command must be sent (i.e. if 'ab' = '17', then the 17th packet or 'R' packet will now be sent in the stream).

NOTE:

The '00' or 'A' packet will always be included in the stream. This will force all serial stream lengths to be the same.

6. To cause the stream to be sent using the Spectron 600 compatibility mode format, then send the 'I1Z' instruction. 'IOZ' will terminate the stream and revert back to the previously selected format.
7. 'PxyZ' is the single packet query instruction. This will send only the 'xy'th packet and no others (e.g., if x=2 and y=3, the 23rd packet will be sent). Issuing this instruction will cause the serial stream to stop after its last packet. If the user has 5 packets being sent, the array will not be cleared, but if they were being sent out continuously, this would stop.

Once the stream stops, then the desired packet 'xy' will follow and nothing more will be sent.

8. 'Q1Z' is the multiple packet query instruction. This will only send the packet(s) in the array once. If packets 'C', 'D', and 'G' are in the array, then all three packets will be sent and nothing more. If the packets were being sent out continuously, the serial stream will stop with this last burst of packets.

Note: The packets are transmitted in the following order:

PACKET #	PACKET LETTER	PACKET #	PACKET LETTER
00	A	19	U
01	B	20	V
02	C	21	W
03	D	22	X
04	E	23	Y
05	F	24	Z
06	G	25	[
07	H	26	\
08	I	27]
09	L	28	^
10	N	29	_ (underscore)
11	J	30	' (left single quote)
12	K	31	a
13	O	32	b
14	P	33	c
15	Q	34	d
16	R	35	e
17	S	36	f
18	T	37	g

The remote PC or controller has the ability to send many different commands to the Spectron 600. There are two basic types of commands. One command is equivalent to pressing a key on the Spectron 600's user panel and the other type is equivalent to a parameter change. The key press commands allow for remote control and the parameter changing commands allow the remote computer or controller to change either the system delay, testing crossover pressures, or the REJECT setpoint.

Most remote commands will be sent to control normal operation/cycling of the Spectron 600 leak detector. Normal starting and stopping of test cycles will be controlled remotely. If the remote computer is making leak test decisions, such as how long to test a specific part, the software must be aware that accurate

leak rates only occur in the GROSS, REVERSE, DIRECT and SNIFFER testing states. Roughing states do not test for the presence of helium and rough close delay states corrupt the flow of helium by pumping some of the helium away with the rough pump. Leak test decisions should not be made in these states. Also, during normal test cycles, if the high vacuum pressure exceeds 5.0×10^{-4} Torr, the filament is turned OFF but the leak test cycle is not terminated. This is called the PRESSURE BURST CLEANUP mode. The filament on/off flag sent with the 'L' packet is one method of monitoring this state. However, if using the old compatible serial stream format, monitoring the filament current will give the remote computer a faster response to this situation. Filament on/off status is sent on every third transmission of the filament current as mentioned above. The filament will be turned back on every 10 seconds to check the high vacuum pressure. If the pressure is still too high, the filament will shut itself back off, otherwise it will remain on and testing will continue.

If the remote computer or controller wants to terminate a test cycle based upon a certain length of time in testing mode, the time spent in PRESSURE BURST CLEANUP should not be included in this time. Testing parts for helium does not occur at these times. Also, if the remote computer terminates the test because of an ACCEPT or REJECT indication, do not terminate the test cycle when the reject status is INVALID. This will not harm the Spectron 600, but will not give a positive ACCEPT or REJECT signal.

Below is a list of all possible remote PC commands that may be sent to the Spectron 600 and do not control the format of the serial stream. All commands begin with one of these letters ['D', 'F', 'K', 'M', 'R'] and are all terminated by the letter 'Z'. The numbers in the middle make up the desired command.

All 'keypress commands' start with the letter 'K' and end with the letter 'Z'. Each keypress command works in exactly the same fashion as if an operator had pressed the corresponding key on the leak detector. There are 29 different keypress commands, each requiring 2 numbers, as follows:

Command #

- 00 — Start Button**
- 01 — Vent Button**
- 02 — Select Up**
- 03 — Select Down**
- 04 — Set Right**
- 05 — Set Left**
- 06 — Calibrator Valve Button**
- 07 — Ext. Rough Valve Button**

- 08 — Fine Valve Button
- 09 — Foreline Valve Button
- 10 — Gross Valve Button
- 11 — Purge Valve Button
- 12 — Rough Valve Button
- 13 — Sniffer Valve Button
- 14 — Vent Valve Button
- 15 — System Vent Command (Can only be sent in 'STANDBY' states)
- 16 — Filament ON/OFF button
- 17 — Filament Button
- 18 — Helium/Air Units Button
- 19 — Helium Mass 3/4 Button
- 20 — Cal-Check Button
- 21 — Calibrate (CAL) Button
- 22 — Tune Button
- 23 — Auto/Manual Ranging Button
- 24 — Range Up Button
- 25 — Range Down Button
- 26 — Volume Up Button
- 27 — Volume Down Button
- 28 — Zero Button

To send a command to Auto-Zero the testport helium background, the remote PC or controller must send the following command string:

'K28Z'

To send a command to Start a leak test cycle, the following string must be sent to the Spectron 600:

'K00Z'

To set one of the 6 system delays, the PC must send a command that starts with a 'D', followed by 5 numbers, and ends with a 'Z'. The first number is the delay number [1, 2, 3, 4, 5, 6, 7] and the last 4 numbers make up the desired delay in tenths of a second, with a maximum delay of 999.9 seconds.

For a FINE CROSSOVER DELAY (Delay #1) of 2.0 seconds, the following string must be sent:

'D10020Z'

For a DIRECT ROUGH CLOSE DELAY (Delay #2) of 0.1 seconds, the following string must be sent:

'D20001Z'

For a VENT OPEN DELAY (Delay #3) of 5.0 seconds, the following string must be sent:

'D30050Z'

For a VENT CLOSE DELAY (Delay #4) of 12.5 seconds, the following string must be sent:

'D40125Z'

For a MINIMUM GROSS LEAK TEST TIME (Delay #5) of 7.0 seconds, the following string must be sent:

'D50070Z'

For a MINIMUM ROUGHING TIME (Delay #6) of 20.0 seconds, the following string must be sent:

'D60200Z'

For a REVERSE ROUGH CLOSE DELAY (Delay #7) of 0.1 seconds, the following string must be sent:

'D20001Z'

If an attempt is made to change a delay to an invalid value, the Spectron 600 will clip the value to either its upper or lower limits and will send back an error indication in its stream of data ('A1'). Its new value will show up in the appropriate portion of the data stream.

To set one of the crossovers, either #1 or #2, the PC must send a command that starts with an 'F', followed by 5 numbers, and ends with a 'Z'. The first number is the crossover number. '1' for crossover #1 and '2' for crossover #2. The next 4 numbers make up the desired crossover pressure in millitorr.

For a REVERSE CROSSOVER (#1) of 350 millitorr, the following string must be sent:

'F10350Z'

For a DIRECT CROSSOVER (#2) of 25 millitorr, the following string must be sent:

'F20025Z'

If an attempt is made to change a crossover to an invalid value, the Spectron 600 will clip the value to either its upper or lower limits and will send back an error indication in its stream of data ('A1'). Its new value will show up in the appropriate portion of the data stream.

The REJECT setpoint change command starts with an 'R', has 4 numbers, and is ended with a 'Z'. The first two numbers make up the reject mantissa and the last two make up the reject exponent. Here the exponent is assumed to be negative.

For a REJECT POINT of 2.0×10^{-8} , the following string must be sent to the Spectron 600:

'R2008Z'

For a REJECT POINT of 5.0×10^{-10} , the following string must be sent:

'R5010Z'

For a REJECT POINT of 6.3×10^{-7} , the following string must be sent:

'R6307Z'

If an attempt is made to change the REJECT setpoint to an invalid value, the Spectron 600 will clip the value to either its upper or lower limits and will send back an error indication in its stream of data ('A1'). Its new value will show up in the appropriate portion of the data stream.

As an example, let's go through the sequence of a remotely controlled leak test cycle. First we monitor the present state packet 'I'. We wait for the Spectron 600 to power-up and go into the standby states 04, 05, 12, or 13. At this time we can check the crossover points, the delays, and the REJECT setpoint to make sure they are appropriate for the part being tested. If they are not correct, we can change them using the appropriate commands. We will set the Reverse crossover pressure to 200 millitorr by sending the string 'F10200Z' (because this is crossover #1). We will set the REJECT setpoint to 2.0×10^{-8} atm-cc/sec by sending the string of 'R2008Z'. After we send each of the following strings, we must monitor the Spectron 600 data stream to verify that both an error ('A1') has not occurred and that the crossover and reject values have been updated.

We can now start the test cycle. To start the test cycle we must send the string 'K00Z'. At this time we monitor the data stream to make sure an error ('A1') was not generated, and that the leak detector has changed to the ROUGHING TESTPORT state (06 or 14). After this happens, we continue to monitor the **present state** and the **reject status**. Once the reject status changes to either an ACCEPT or a REJECT, we can terminate the test cycle by sending the string 'K01Z'. At this time the present state will change to 04, 05, 12, or 13 and we will need to vent the testport to enable the operator to remove the test object. For this we need to send the string 'K15Z'.

Now the sequence can be repeated for more test objects.

If we want to SNIFF test, the sequence wouldn't change except for the present state values. First we would have to change the present state from **Vacuum Mode - Standby** to a **Sniffer Mode - Standby**, by sending the string 'K13Z'

(when the Spectron 600 was in one of the vacuum mode standby states of 04, 05, 12, or 13). In Auto ranging mode, this causes the Spectron 600 to change to state 20 or 21; in Manual ranging mode, the unit changes to state 24 or 25. Once the correct standby state has been entered, we can continue with the normal operational sequence.

During a test cycle, if we wanted to change from manual ranging to automatic ranging or vice-versa, all we have to do is send the string 'K23Z' (equivalent to pressing the Auto/Manual Ranging Button on the Spectron 600 user panel).

The RS-232 data format is:

- a. 8 Data Bits
- b. Even Parity
- c. 9600 Baud
- d. 1 Stop Bit

Hand-shaking is done by using a NULL MODEM adapter or equivalent and observing the following rules:

1. The Spectron 600 will start sending the data stream when it is issued the appropriate command ('S1Z').
2. The Spectron 600 will not transmit when its CTS line (RTS line of remote PC) is driven low. This should only be done during serial port interrupts on the remote PC.
3. The remote PC must not send data to the Spectron 600 when the Spectron 600 has driven its RTS line (CTS line of PC remote) low.

Point To Point Wiring for Spectron 600 and Remote Computer:

NOTE:

A standard NULL MODEM cable will work or a straight through RS-232 cable with a NULL MODEM adapter can be used.

The Spectron 600 9-pin connector is designated RS232 on the rear of the leak detector.

Spectron 600 9-pin Connector ———> Computer 25-Pin Connector

1,	6, 20
2	2
3	3
4	6, 8
5	7
7	5
8	4
9	22
	not connected

Spectron 600 9-pin Connector ———> Computer 9-Pin Connector

1,	6, 4
2	3
3	2
4	6, 1
5	5
7	8
8	7
9	9
	not connected

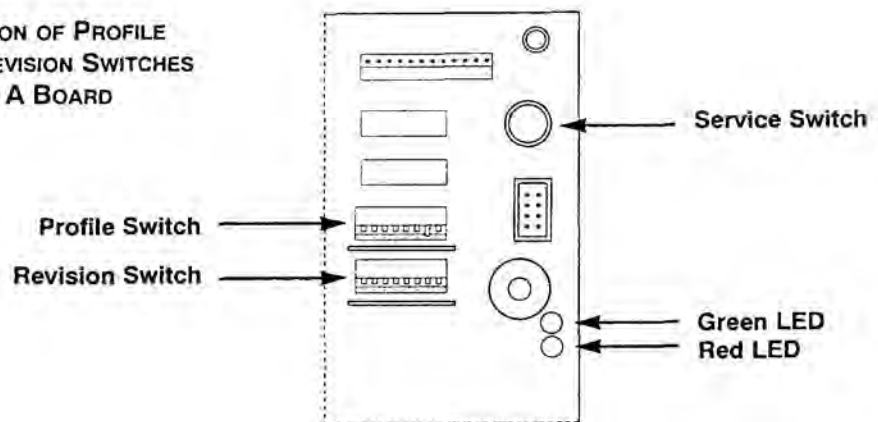
APPENDIX E

Profile And Revision Switch Positions For Edwards Spectron 600 Series Leak Detectors

The Profile and Revision switches are located on the A board, mounted inside the rear door of the Spectron 600. To change the setting of the switches:

- 1 Turn off power to the Spectron 600.
- 2 Using a Philips head screwdriver, open the rear door.
- 3 Find the two eight-position dip switches located on the A board in the right corner close to the rear door hinge (near the Service toggle switch). They are marked “SW1, Profile” and “SW2, Rev.”
- 4 Use a small instrument, such as a jeweller’s screwdriver, to change the switch positions.

LOCATION OF PROFILE
AND REVISION SWITCHES
ON THE A BOARD



Profile Switch:

- 8 Up at all times
- 7 Roughing Pump System (Wet = UP, Dry = DOWN)
- 6 Reverse Flow (Enabled = UP, Disabled = DOWN)
- 5 Speaker Triggered from Reject Pt. (Disabled = UP, Enabled = DOWN)
- 4 Auto Tune Alert (Enabled = DOWN, Disabled = UP)
- 3 Automatic Auto Tune (Enable = DOWN, Disabled UP)
- 2 Used by Edwards Test Personnel Only (normal operation = UP)
- 1 Used by Edwards Test Personnel Only (normal operation = UP)

Revision Switch:

- 8 Testing Led (Not Present = UP, Present = DOWN)
- 7 Up at all times
- 6 Up at all times
- 5 Unused
- 4 Unused
- 3 Unused
- 2 Used by Edwards Test Personnel Only (normal operation = UP)
- 1 Used by Edwards Test Personnel Only (normal operation = UP)

APPENDIX F

Spectron 600 Quick Reference

This section contains quick reference charts for the following functions and displays:

- The User/Control Panel
- The Service Panel
- The Alphanumeric Display
- Spectron 600 Error Codes
- Periodic Maintenance Functions

A more complete description of these functions is contained within the main body of the Spectron 600 User Manual.

Quick Reference

Spectron 600 User Control Panel

Function/Key	Standard Mode	Service Mode
Leak Rate Bar Graph	Displays mantissa of leak rate.	Displays mantissa of leak rate, including system background.
Exponent Display	Displays exponent of leak rate. Displays "EE" if error occurs.	Displays exponent of leak rate.
Accept LED	Lights during testing if leak rate is less than the user-set Reject Point and the Spectron 600 is in or below the range of the Reject Point .	<i>Disabled.</i>
Reject LED	Lights during testing if the leak rate is greater than or equal to the user-set Reject Point .	<i>Disabled.</i>
Test Port	Displays test port pressure on bar graph.	Displays test port pressure.
Auto/Manual Ranging	Selects either automatic or manual ranging during testing.	<i>Disabled.</i>
Ranging Up/Down	Changes selected leak rate range for testing either up or down. Pressing one of the arrow keys while in Auto Ranging mode will switch Spectron 600 to Manual Ranging.	Changes selected leak rate range for testing either up or down.
Audio Up/Down	Increases or decreases volume of speaker and headphone output.	Increases or decreases speaker (or headphone) volume. Also used to set time and date if selected on alphanumeric display.
Zero	"Zeros" out any helium being measured. Only active during testing. Limits ranging to two ranges below zeroed range. Cancelled at the end of the test cycle.	Turns turbo pump on or off . LED indicates status.
Sniff Mode LED	Indicates that Spectron 600 has been switched to Sniff mode.	<i>Disabled.</i>
Ready LED	Indicates that Spectron 600 is in the Standby mode and is ready for the next test.	<i>Disabled.</i>
Start Switch	Used to start a pump/test cycle. Pressing a second time will interrupt the test cycle without the chance of venting. Switch is illuminated when test cycle is initiated.	<i>Disabled.</i>
Vent Switch	Used to stop a test cycle and to vent the test port. Pressing momentarily stops cycle. Pressing and holding vents test port.	<i>Disabled.</i>

Quick Reference

Spectron 600 Service Panel

Function/Key	Standard Mode	Service Mode
Service LED	Off	On
Cal Valve	Disabled	Opens/Shuts Cal Valve.
Ext Rough	Disabled	Opens/Shuts External Rough Valve.
Fine	Disabled	Opens/Shuts Fine Valve.
Gross	Disabled	Opens/Shuts Gross Valve.
Purge	Opens/Shuts Purge Valve (<i>Standby mode only</i>).	Opens/Shuts Purge Valve.
Rough	Disabled	Opens/Shuts Rough Valve.
Sniff	Switches Spectron 600 to Sniff mode.	Opens/Shuts Sniff Valve.
Vent	Disabled	Opens/Shuts Vent Valve.
Fil On/Off	Toggles filament on or off; can only be turned on if high vacuum pressure is good; cannot be turned off during leak testing.	Toggles filament on or off (totally unprotected).
Fil 1/2	Selects filament 1 or 2; Green LED indicates good filament; Red LED indicates bad filament.	Selects filament 1 or 2; Green LED indicates good filament; Red LED indicates bad filament.
Helium/Air	Disabled	Switches between helium and air equivalent leak rate units.
Mass 3/4	Disabled	Switches accelerating voltage in mass spectrometer from Mass 3 to Mass 4.
Cal Check	Performs check of calibration using internal helium leak standard.	Disabled
Cal	Adjusts amplifier gain to calibrate leak rate. Only available after Cal Check.	Disabled
Tune	Performs full automatic tune and calibration demand.	Disabled
Select	Chooses which function is shown on alphanumeric display.	Chooses which function is shown on alphanumeric display.
Set	Sets value for those functions on alphanumeric display that can be changed.	Sets value for those functions on alphanumeric display that can be changed.

Quick Reference

Spectron 600 Service Panel Alphanumeric Display

- Choose function using "Select" switches
- Set value using "Set" switches

Function/Key	Standard Mode	Service Mode
Amp Gain	<p>G1 is Gross Mode Gain. G2 is Reverse mode gain. G3 is Direct Flow gain.</p> <p>G2 & G3 are set by computer.</p> <p>G2 & G3 gains cannot be changed in Standard mode. G1 may be changed in Standard mode during leak testing in the Gross mode. Can change any gain in Service mode. (<i>G2 is not used on the Spectron 600D when it is operating in Product Testing mode</i>).</p>	<p>Changing G2 & G3 will uncalibrate system. G1 must be set by user.</p>
Anode Voltage	<p>Displays accelerating voltage of mass spec.</p> <p>Holding Set switches while leak testing will cause peak to "de-scan" $\pm 30V$.</p>	<p>Displays accelerating voltage of mass spec. Press Set switches to change anode voltage in one volt steps.</p>
Cal Temp	<p>Shows current temperature of internal calibrator.</p>	<p>Used to set the temperature at which the calibrator was calibrated. Should only be changed if the calibrator is changed.</p>
Crossover 1	<p>User settable crossover pressure for reverse flow mode (not used on the Spectron 600D when it is operating in Product Testing mode). Max: 2000 mTorr (600T & 600D); Default: 500 mTorr</p>	<p>Not Applicable.</p>
Crossover 2	<p>User settable crossover pressure for direct flow mode. Max: 75 mTorr (600T), 150mTorr (600D); Default: 25 mTorr.</p>	<p>Not Applicable.</p>
D1	<p>Fine crossover delay.</p>	<p>Shows software revision in flash Eprom.</p>
D2	<p>Rough close delay.</p>	<p>Shows software revision in Eprom.</p>
D3	<p>Vent delay.</p>	<p>Shows high collector range electrical offset.</p>
D4	<p>Vent duration.</p>	<p>Shows low collector range electrical offset.</p>

Quick Reference

Spectron 600 Service Panel Alphanumeric Display (cont.)

Function/Key	Standard Mode	Service Mode
D5	Minimum Gross testing time.	Not Applicable.
D6	Minimum Rough time.	Not Applicable.
D7	Reverse Rough Close delay (used on units with external roughing option only).	Not Applicable.
Emission	Displays filament emission current in milliamps (mA). Properly operating filament has emission of 5mA.	Same as Standard mode.
Error Code	Shows any errors present. Codes are automatically displayed if errors occur. If no errors detected, displays NONE.	Displays current date. Date can be changed using the Set and Audio keys.
Fil Amps	Displays filament supply current in DC amps. Maximum: 6.0 amps.	Same as Standard mode.
Foreline	Displays foreline pressure in mTorr or mBar.	Same as Standard mode.
High Vacuum	Displays high vacuum pressure in Torr or Bar. If filament is off, hi vac display shows OFF. During standby, system will periodically check offsets (while display shows SPECTRON).	Same as Standard mode.
Internal Cal	Displays current temperature compensated value of internal calibrator.	Used to program leak rate value of calibrator from certificate. Should only be changed if calibrator is changed.
Leak Rate	Digital display of leak rate.	Same as Standard mode.
Reject Point	Used to set leak rate reject point.	Shows percent of full speed of turbo pump.
Test Port	Digital display of test port pressure in mTorr or mBar. Select units feature switch on back of C board.	Same as Standard mode.
Total Hours	Displays total number of hours that unit has been running.	Displays current time. Time can be changed using Set and Audio keys.

Quick Reference

Spectron 600 Error Codes

#	Description	Action
01	Foreline max error	Foreline has exceeded 4000 mTorr. All valves except foreline shut, turbo shuts down. Will restart when foreline recovers.
02	Hi Vac too high	Hi vac above 5×10^{-4} Torr. Shuts off filament, then turns filament on every ten seconds. If does not "catch" after several tries, shuts off unit.
04	Auto Zero error	User has attempted to zero out leak beyond the capability of the unit.
05	Foreline Test error	Foreline pressure has exceeded 2500 mTorr (probably during test, after reverse crossover). Aborts test cycle, goes into standby mode.
07	High Voltage Error	High voltage supply from B board to Source has failed. System shuts off filament, all valves, and pump(s).
08	Filament current low	Filament current has dropped below 1 ampere. The filament should be replaced.
09	Temp too high	Temperature sensor is reading above 60°C. Fan may have failed. Sensor may be defective or unplugged.
10	Emission too low.	Emission has dropped below 4.7 mA. If occurs during Cal Check or Tune, will abort procedure.
11	PC remote error	Problem with remote PC. System will still operated properly without PC.
13	Rough time exceeded	During Cal Check or Tune, unit can not pump down to crossover within five (5) minutes.
18	Printer error	Printer is not responding.
20	Gain too low error	One of the system gains (G2 or G3) has been set below allowable limits during a Tune or Calibration cycle.
22	Temp too low	Temperature is below 10°C. System shuts down.
23	Cannot Peak Tune	System computer cannot find helium peak.
24	Gain too high	One of the system gains (G2, Reverse; G3, Fine) is at the maximum (10). Error will continue to be displayed until unit is retuned.
26	Turbo fail	The turbo pump or controller has failed. System is shut down.
30	HH remote error	Transmission error between main unit and hand held remote control.
33	Repeller fail	Discontinuity in circuitry for mass spec source repeller. System will continue to operate, but testing will not be allowed.

Quick Reference

Spectron 600 Recommended Periodic Maintenance

Description	Frequency	See Manual Page(s):
Check Calibration (Cal Check)	Twice per shift (minimum)	4-4
Auto Tune Mass Spectrometer	As Required (at least weekly)	4-5
Grease Test Port O-ring	Weekly	4-6
Check Air Filters	Weekly	4-6
Check Oil Level in Internal (and optional External) Rotary Vane Mechanical Pump(s)	Monthly	4-6
Check Exhaust Filter on Internal Rotary Vane Mechanical Pump	Monthly	4-7
Change Oil in Internal (and optional External) Rotary Vane Mechanical Pump(s)	Semi-Annually	4-9,10
Clean Mass Spectrometer	Annually	4-17
Recalibrate Internal Leak Standard	Annually	4-33

APPENDIX G

Spectron 600D Manual Addendum

Section 1: General Information

1.1 Introduction

This Spectron 600D Manual Addendum is intended to be used in conjunction with the Spectron 600 Operations and Maintenance Manual. This addendum provides full system performance specifications for the Spectron 600D Leak Detector, as well as highlighting operational and maintenance items which differ from the Spectron 600T Leak Detector.

1.2 Unpacking

Before initially turning on the Spectron 600D Leak Detector, it is necessary to remove shipping material from around the turbo molecular pump and the internal dry pump.

Using a Philips head screwdriver, open the rear door of the Spectron 600D. Remove all shipping material from underneath the turbo molecular pump. Close the rear door.

Using a Philips head screwdriver, open the front door. Remove all shipping material from around the internal dry pump and cut and remove any shipping straps. Close the front door.

An installation kit (Part No. D155-03-810) is included with the unit when it is shipped. The kit contains:

Part Number	Description
D155-01-820	Filament Kit (box of 5)
D155-02-828	Allen Wrench, 7/64
D155-01-830	Nitrogen Kit
D155-01-840	Cart Mounting Kit
D155-02-838	NW25 to 1 1/8 Quick Connect Adaptor
D155-02-815	1 1/8 Quick Connect Plug

The filament kit and Allen wrench are not needed at the time of installation, but are provided as a courtesy. The Nitrogen Kit may be used at any time if it is desired to connect dry nitrogen to the vent valve of the Spectron 600D.

Instructions for connection of the nitrogen are included in the Nitrogen Kit. If the Spectron 600 Cart has been purchased with the unit, the Cart Mounting kit includes the hardware and instructions necessary for mounting the leak detector to the cart.

1.3 Installation

The Spectron 600D is configured for operation at specific voltage and frequency combinations, as determined at the time of the order. The unit should be connected to the appropriate grounded electrical supply of the following:

- 115 V/60 Hz; 10A
- 230-240 V/50 Hz; 5A
- 100 V/50 Hz; 10A
- 100 V/60 Hz; 10A

1.4 General Description

The Spectron 600D is an automatic microprocessor based portable leak detector suitable for leak testing with no possibility of oil contamination of the test parts. The system uses a turbo molecular high vacuum pump and a drag-diaphragm foreline/roughing pump for sensitive, ultra-clean testing in the Direct Flow mode. The Spectron 600 features automatic tuning and calibration with a built-in calibrated leak, an internal 16 cfm dry mechanical pump, reject/accept settings and indication, automatic ranging, auto-zeroing, audio output, and built-in sniffing capability.

The Spectron 600D offers two performance modes:

Product Testing mode using Direct flow only for highly accurate and repeatable testing to exact leak tightness specifications

Process System Testing mode using Reverse and Direct flows to allow for quick and precise location of leaks in clean room vacuum systems and chambers.

The Spectron 600D is shipped in the Process System Testing mode. A complete description of how to set up the Spectron 600D for Product Testing mode is included in Section 2, **Operating the Spectron 600D**.

1.5 Features & Specifications

OVERALL SYSTEM

Start-Up:	Fully functional in less than 4 minutes. Consists of turbo molecular pump acceleration, a complete set of self-diagnostics, turning on filament, checking and assuring hi-vac status, measuring system offsets and background helium
Tuning:	Automatic
Calibration:	Automatic for Helium 4 using an internal calibrator of 1×10^{-8} to 3×10^{-8} std cc/sec air equivalent
Internal Calibrator:	Temperature compensated Helium (4) leak standard between 1×10^{-8} to 3×10^{-8} atm cc/sec air equivalent with integral solenoid valve. Traceable to NIST. Quick disconnect for easy re-calibration.
Testable Masses:	Helium Mass 3 or 4
Auto Zero:	Automatic "zeroing" of leak rate while in test mode initiated by pressing the ZERO push-button
Background Compensation:	Continuous automatic compensation of system background
Ranging:	Automatic or Manual
Measurement Units:	Pressure: milliTorr or millibar (selectable with a switch located underneath the Service Panel accessible when the unit's front panel has been opened) Leak Rate: atm cc/sec (atmospheric cubic centimeters/second) or mbar l/sec (millibar liters/second)

PERFORMANCE SPECIFICATIONS/PRODUCT TESTING MODE

Flow Modes:	Direct flow for leaks between 10×10^{-5} atm cc/sec and 6×10^{-11} atm cc/sec air equivalent. Reverse flow (gross mode) for leaks above 10×10^{-5} atm cc/sec (with external pump only)
Sensitivity:	6×10^{-11} atm cc/sec air equivalent at full pumping speed
Response Time:	< 2 sec for fine leaks < 3.5 sec for gross leaks
Resolution:	Resolving Power of 14 at Mass 4
Noise Level:	< 6% of full scale on the 10^{-10} scale
Leak Range:	10×10^{-5} atm cc/sec to 6×10^{-1} atm cc/sec air equivalent 10 to 6×10^{-11} atm cc/sec air equiv. with optional external pump
Max. Inlet Pressure:	25 mTorr (Direct Test Mode)
Max. Crossover Pressure:	150 mTorr (Direct Test Mode)
Time to Test:	8 seconds on a blank port to a pre-selected mode in a fine leak range
Gross Testing:	Available with optional external pump
Sniffing:	Built-in capability. Optional Sniffer probe.

**All performance data is determined in accordance with the applicable AVS Standard*

PERFORMANCE SPECIFICATIONS/PROCESS SYSTEM TESTING MODE

Flow Modes:	Automatically switches between Reverse and Direct flow for leaks between 10×10^{-4} atm cc/sec to 6×10^{-11} atm cc/sec air equivalent. Reverse flow (gross mode) for leaks above 10×10^{-4} atm cc/sec (with external pump only).	
Sensitivity:	6×10^{-9} atm cc/sec air equivalent in Reverse Flow 6×10^{-11} atm cc/sec air equivalent in Direct Flow	
Response Time:	< 3.5 sec in Reverse Flow < 2 sec in Direct Flow	
Leak Range:	10×10^{-4} atm cc/sec to 6×10^{-11} atm cc/sec air equivalent 10 to 6×10^{-11} atm cc/sec air equiv. with optional external pump.	
Max. Inlet Pressure:	>10 Torr	Gross Test Mode with optional external pump
	750 mTorr	Reverse Flow (to 6×10^{-9} atm cc/sec air equivalent)
	25 mTorr	Direct Flow (to 6×10^{-11} atm cc/sec air equivalent)
Max. Crossover Pressure:	>10 Torr	Gross Test Mode with optional external pump
	2000 mTorr	Reverse Flow (to 6×10^{-9} atm cc/sec air equivalent)
	150 mTorr	Direct Flow (to 6×10^{-11} atm cc/sec air equivalent)
Time to Test:	<6 secs on a blank port in Reverse Mode <8 secs on a blank port to a preselected range in Direct	
Flow Mode:	$(10^{-9}$ or 10^{-10} range)	
Gross Testing:	Available with optional external pump	
Sniffing:	Built-in capability. Optional external sniffer probe.	

VACUUM SYSTEM

Mechanical Pump: Built in 16 cfm drag/dual stage diaphragm dry mechanical pump serves as foreline pump and internal roughing pump.

Turbomolecular Pump: Edwards EXT70 Turbo molecular Pump.

External Pump: Optional dry,

Valves: Reliable, fast acting solenoid valves rated for >1 million cycles. Provide positive fail safe sealing in case of power failure.

Pressure Sensors: Two Pirani gauges monitor test port and foreline pressures. A built-in ionization gauge in the mass spectrometer tube monitors high vacuum pressure.

Mass Spectrometer: Dual sector mass spectrometer tube (dual 90° deflection) completely eliminates unwanted background scattering effects and reduces background signals below the limit of detectability to provide an excellent signal to noise ratio. A heavy ion trap extends the time of operation between maintenance cycles. The helium ion beam exiting from the second magnet has an extremely high order of mass purity. Source and collector assemblies are flanged and self-aligning. Patented self-cleaning heated repeller continually heats the spectrometer ion source preventing the formation of condensable contaminants. Two non-warping, self-aligning filaments allow uninterrupted testing. Automatic closed loop emission control lowers filament current and extends life. The operational amplifier is mounted under vacuum for maximum stability.

ELECTRONICS

- General:** Microprocessor controlled, completely protected from user errors. Diagnostics automatically display error codes and messages on alphanumeric display. State of the art Flash EPROM enables remote upgrading of software. NOVRAM retains user settings and total running time when the unit is powered off. Real time clock with battery backup maintains time and date.
- RS-232 Port:** Two standard bidirectional ports. One port dedicated to the optional remote control unit. The second port is dedicated to data transfer to an external computer or control module. Provides for remote computer control and data transfer, as well as remote diagnostics and downloading of new software releases directly from Edwards. Uniform field lengths allow for easy integration and downloading of data into automated systems.
- Printer Port:** A parallel printer port is provided to transmit test results to any PC-compatible printer. At the conclusion of a test, the leak rate, the reject set point, reject or accept indication and the time and date are sent to the printer.

OPERATOR INTERFACE

- Control Panel:** User friendly, highly reliable tactile membrane switch panel. Bar graphs clearly display leak rate and test port pressure information. Start/vent switches with Ready indication light and ranging switches control test cycle. Reject and Accept indications are made with red and green LEDs.
- Tuning Controls:** Single button for complete automatic tuning. Cal Check button verifies tuning and calibration at any time. Single Calibrate button adjusts gain automatically at the end of a Calibration Check.
- Service Panel:** A flip-open door provides easy access to settings and diagnostic functions for maintenance personnel. A switch inside the unit enables the service mode.
- Remote:** Optional remote unit provides start/vent switches and ranging controls along with leak rate readout up to 100 feet from the leak detector. Highly reliable tactile membrane switches and light weight rugged design. Standard coiled cord length of 25 feet.

PHYSICAL

Size: 15" H x 20.5" W x 14" D
(38 cm H x 52 cm W x 35 cm D)

Weight: Standard Enclosure: 96 lbs. (43.6 kg)
-Stainless Steel 116 lbs (52.7 kg)

Power Requirements: 115V/60 Hz/10A
230-240V/50 Hz/5A
100V/50 Hz/10A
100V/60 Hz/10A

Section 2: Operating the Spectron 600D

2.1 Selecting the Mode of Operation

Before beginning any leak testing, the Spectron 600D must be set for the desired mode of operation, either **Product Testing** mode (Direct flow) or **Process System Testing** mode (auto-switching between Reverse and Direct modes). The Spectron 600D is shipped set for **Process System Testing** mode.

It is recommended that **Process System Testing** mode be used if the intent is to locate a leak in a process system, vacuum system or chamber, or if the parts under test can not be sufficiently evacuated for **Product Testing** mode. This mode utilizes both Reverse and Direct flows, automatically switching between flows depending upon leak rate and inlet pressure. Leak testing in Reverse flow can begin at an inlet pressure of 750 m Torr, and extends to a maximum sensitivity of 6×10^{-9} atm cc/sec air equivalent. This allows finding of moderate leaks at an extremely high inlet pressure.

While operating in **Process System Testing** mode, if the object under test may be evacuated sufficiently (to approximately 25 mTorr or less, depending upon volume), and the leak rate is less than 0.6 on the 10^{-8} range, the Spectron 600D will automatically cross over into the Direct flow mode. Leak testing in Direct flow extends to a maximum sensitivity of 6×10^{-11} atm cc/sec air equivalent. Once cross over has been achieved, the leak detector will remain in Direct flow unless the leak rate increases to a value greater than 9×10^{-5} atm cc/sec, or the inlet pressure increases significantly.

Product Testing mode provides highly accurate and repeatable leak testing to exact leak tightness specifications, but requires parts to be evacuated to a low pressure (typically under 25 mTorr, depending upon volume and cleanliness) before they may be tested. It is recommended that this mode be used if the parts being tested require leak checking to a preset Reject point or leak rate value. The leak rate range in Product Testing mode is from 10×10^{-5} atm cc/sec to 6×10^{-11} atm cc/sec air equivalent.

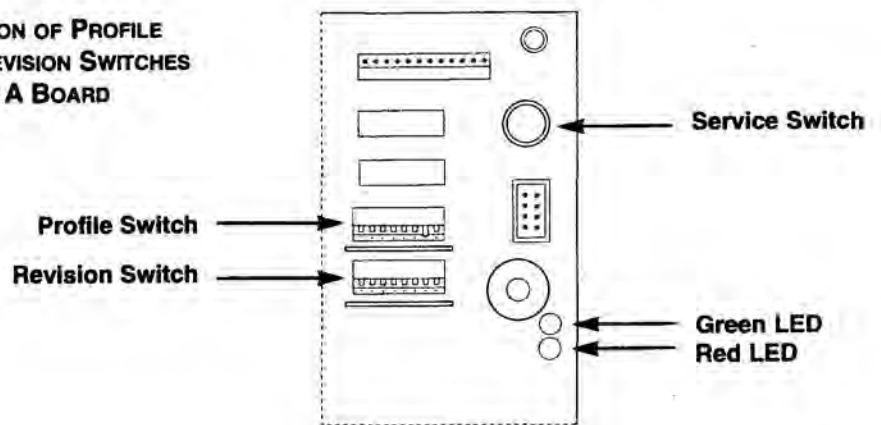
In either **Product Testing** or **Process System Testing** mode, the addition of the external pump and external roughing valve allows for Gross leak testing and extends the leak rate range to a maximum leak of 10 atm cc/sec air equivalent.

2.2 Setting the Mode of Operation

The Spectron 600D is shipped set for **Process System Testing** mode (Reverse and Direct Flow modes). To change the mode of operation:

1. Turn off power to the Spectron 600D
2. Using a Philips head screwdriver, open the rear door.
3. Find the two eight-position dip switches, located on the **A** board in the right corner close to the rear door hinge, near the Service toggle switch. They are marked **SW1, Profile** and **SW2, Rev.**

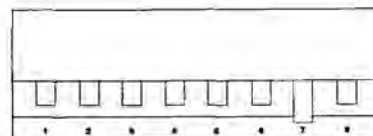
LOCATION OF PROFILE AND REVISION SWITCHES ON THE A BOARD



4. All tabs on the **Revision** switch should be in the **up** position. Tab #7 on the **Profile** switch should be in the **down** position. All other tabs on the Profile switch should be in the **up** position. This configuration indicates that the Spectron 600D is operating in the **Process System Testing** mode (Reverse and Direct Flow modes).

SPECTRON 600D, PROCESS SYSTEM TESTING MODE
PROFILE SWITCH

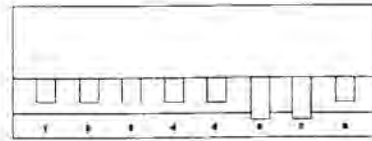
(POSITION #7 DOWN)



5. To switch to Product Testing Mode (Direct Flow mode only), put **Tab #6** on the Profile switch in the **down** position. Leave **Tab #7** **down**.

**SPECTRON 600D,
PRODUCT TESTING MODE
PROFILE SWITCH**

**(POSITIONS #6 AND #7
DOWN)**



6. Close the rear door. Turn on the power switch. The Spectron 600D will power up the Product Testing Mode.
7. To return to **Process System Testing** mode, turn off the Spectron 600D, open the rear door, and set **Tab #6** on the **Profile** switch back to the **up** position.

2.3 Operator Controls and Indicators

The Operator Controls and Indicators are fully described in the Spectron 600 Operations and Maintenance Manual, **Section 2.2**.

In Product Testing Mode, G2 (Reverse Flow Gain) and Crossover 2 (Reverse Flow Crossover) are not used, as the system is operating in Direct Flow only.

Refer to the Quick Reference Guide for User and Service Panel functions.

2.4 Vacuum Leak Testing, Product Testing Mode (without optional external pump)

1. Connect the test object to the test port located on top of the Spectron 600D.
2. Press the green Start push-button.
3. The rough valve opens and the test port and test object are pumped down. The Test Port pressure bar graph will indicate the decrease in test port pressure. The Minimum Roughing timer (D6) starts.
4. When the test port pressure reaches Crossover 2 (Direct Flow Crossover), and the Minimum Roughing timer has expired, the Fine Crossover Delay (D1) will commence. This delay may be increased from the default value of 0.1 seconds if the test part is large or has a high gas load in order to minimize the high vacuum burst at crossover and the stress on the filament.
5. When the Fine Crossover Delay expires, the Fine valve will open and the Rough Close Delay (D2) will commence. In most cases this delay should be set for 0.1 seconds. When the Rough Close Delay expires, the rough valve will close.
6. Begin spraying helium around the object under test. If the system is set for Automatic ranging, leak testing will start in the 10^{-5} atm cc/sec range. If the unit is set for Manual ranging, leak test will start in whichever range, between 10^{-5} and 10^{-10} atm cc/sec, is chosen.
7. If the unit is in Manual ranging, leak testing will continue in the range chosen until the Stop/Vent push-button is pressed (or the Start push-button is pressed to interrupt the cycle). To change ranges during testing, press the Range Up or Down arrows on the User Panel.
8. If the unit is in Automatic Ranging, the Spectron 600D will look for leaks in the 10^{-5} atm cc/sec range, then range downward if no leaks are found. If no leaks are found on any range, the unit will continue to range downward to the most sensitive level, the 10^{-10} atm cc/sec range. If a leak is found on any particular range, the

Spectron 600D will stop at that range. If a larger leak is found, the leak detector will range upward to the level of the leak.

9. At any time during testing, the Spectron 600D may be switched to Manual Ranging by pressing the Auto/Manual Ranging switch, or the Range Up or Down Arrow switches.
10. If the leak rate specification is tight, and the object under test is believed to have significant background levels, it is suggested that the object be allowed to range down to the level of its background before helium is sprayed. When the background level is stable, press the Zero switch to cancel out the background, then begin spraying helium. The Zero function will cancel out a maximum of two decades of background helium. This will allow the leak rate of the part to be identified separately from the background.
11. When leak testing is complete, press the Stop/Vent push-button. Holding the switch for a period longer than the Vent Delay (D3) will automatically vent the test port and the test object. The vent valve will remain open until the test port pirani has indicated a reading of Atm (atmosphere) for a the time set as Vent Duration (D4). Remove the test object from the test port.

2.5 Vacuum Leak Testing, Product Testing Mode (with optional external pump)

1. Connect the test object to the test port located on top of the Spectron 600D.
2. Press the green Start push-button.
3. The external rough valve opens and the test port and test object are pumped down. The Test Port pressure bar graph will indicate the decrease in test port pressure. The Minimum Roughing timer (D6) starts.
4. When the test port pressure reaches the gross test crossover (set by the internal computer), and the Minimum Roughing timer has expired, the Gross valve opens and the minimum Gross Test timer (D5) starts.

5. Begin spraying helium around the object to be tested. Leak testing starts in the 10^{-3} atm cc/sec range. If a leak larger than 9×10^{-3} atm cc/sec is found, the Spectron 600D will range upward to the level of the leak. If no leak larger than 0.6×10^{-3} atm cc/sec is found, the unit will range downward to the 10^{-4} range.
6. If no leak larger than 0.6×10^{-4} atm cc/sec is found, and the Minimum Gross Test timer has expired, the Spectron 600D internal computer will check the test port pressure.
7. When the test port pressure reaches Crossover 2 (Direct Flow Crossover), the Fine Crossover Delay (D1) will commence. This delay may be increased from the default value of 0.1 seconds if the test part is large or has a high gas load in order to minimize the high vacuum burst at crossover and the stress on the filament.
8. When the Fine Crossover Delay expires, the Fine valve will open and the Rough Close Delay (D2) will commence. In most cases this delay should be set for 0.1 seconds. When the Rough Close Delay expires, the external rough valve will close.
9. Continue spraying helium around the object under test. The Spectron 600D will switch to the 10^{-5} atm cc/sec range for testing for fine leaks in the Direct Flow mode.
10. The Spectron 600D will look for leaks in the 10^{-5} atm cc/sec range, then range downward if no leaks are found. If no leaks are found on any range, the unit will continue to range downward to the most sensitive level, the 10^{-10} atm cc/sec range. If a leak is found on any particular range, the unit will stop at that range. If a larger leak is found, the Spectron 600D will range upward to the level of the leak.
11. At any time during testing or in standby, the Spectron 600D may be switched to Manual Ranging by pressing the Auto/Manual Ranging switch, or the Range Up or Down Arrow switches.
12. If the unit is in Manual ranging, leak testing will occur in the range chosen and in the appropriate flow mode; Gross Testing in the ranges between 100 and 10^{-4} atm cc/sec and Direct Flow Testing in the ranges between 10^{-5} and 10^{-10} atm cc/sec. To change ranges during testing, press the Range Up or Down arrows on the User Panel.

13. If the leak rate specification is tight, and the object under test is believed to have significant background levels, it is suggested that the object be allowed to range down to the level of its background before helium is sprayed. When the background level is stable, press the Zero switch to cancel out the background, then begin spraying helium. The Zero function will cancel out a maximum of two decades of background helium. This will allow the leak rate of the part to be identified separately from the background.
14. When leak testing is complete, press the Stop/Vent push-button. Holding the switch for a period longer than the Vent Delay (D4) will automatically vent the test port and the test object. The vent valve will remain open until the test port pirani has indicated a reading of Atm (atmosphere) for a the time set as Vent Duration (D4). Remove the test object from the test port.

2.6 Vacuum Leak Testing, Process System Testing Mode (without the optional external pump)

1. Connect the test object to the test port located on top of the Spectron 600D.
2. Press the green Start push-button.
3. The rough valve opens and the test port and test object are pumped down. The Test Port pressure bar graph will indicate the decrease in test port pressure. The minimum Roughing timer (D6) starts.
4. When the test port pressure reaches Crossover 1 (Reverse Flow Crossover), and the Minimum Roughing timer has expired, the foreline valve opens and leak testing starts in Reverse Flow mode in the 10^{-4} atm cc/sec range.
5. Begin spraying helium around the object under test. If no leak larger than 0.6×10^{-4} atm cc/sec is found, the Spectron 600D will range downward until a leak is found.
6. If the Spectron 600D ranges down to the 10^{-8} atm cc/sec range and finds no leak larger than 0.6×10^{-8} atm cc/sec, the internal computer will check the test port pressure to determine if the unit can cross over into Direct Flow.

7. When the test port pressure reaches Crossover 2 (Direct Flow Crossover), the Fine Crossover Delay (D1) will commence. This delay may be increased from the default value of 0.1 seconds if the test part is large or has a high gas load in order to minimize the high vacuum burst at crossover and the stress on the filament.
8. When the Fine Crossover Delay expires, the Fine valve will open and the Rough Close Delay (D2) will commence. In most cases this delay should be set for 0.1 seconds. When the Rough Close Delay expires, the rough valve will close.
9. Continue spraying helium around the object under test. Leak testing in the Direct Flow mode will start in the 10^{-9} atm cc/sec range. If no leak larger than 0.6×10^{-9} atm cc/sec is found, the Spectron 600D will range downward to the 10^{-10} range.
10. If a larger leak is found, the Spectron 600D will remain in the Direct Flow mode and range upward to the level of the leak. If the leak rate exceeds 9×10^{-5} , the unit will cross back into the Reverse Flow mode.
11. At any time during testing or in Standby, the Spectron 600D may be switched to Manual Ranging by pressing the Auto/Manual Ranging switch, or the Range Up or Down Arrow switches. The unit will leak test in the range chosen and in the appropriate flow mode (Direct or Reverse) unit the range is changed by the operator.
12. If the leak rate specification is tight, and the object under test is believed to have significant background levels, it is suggested that the object be allowed to range down to the level of its background before helium is sprayed. When the background level is stable, press the Zero switch to cancel out the background, then begin spraying helium. The Zero function will cancel out a maximum of two decades of background helium. This will allow the leak rate of the part to be identified separately from the background.
13. When leak testing is complete, press the Stop/Vent push-button. Holding the switch for a period longer than the Vent Delay (D3) will automatically vent the test port and the test object. The vent valve will remain open until the test port pirani has indicated a reading of Atm (atmosphere) for a the time set as Vent Duration (D4). Remove the test object from the test port.

2.7 Vacuum Leak Testing, Process System Testing (with the optional external pump)

1. Connect the test object to the test port located on top of the Spectron 600D.
2. Press the green Start push-button.
3. The external rough valve opens and the test port and test object are pumped down. The Test Port pressure bar graph will indicate the decrease in test port pressure. The Minimum Roughing timer (D6) starts.
4. When the test port pressure reaches the gross test crossover (set by the internal computer), the Gross valve opens and the minimum Gross Test timer (D5) starts.
5. Begin spraying helium around the object to be tested. Leak testing starts in the 10^{-3} atm cc/sec range. If a leak larger than 9×10^{-3} atm cc/sec is found, the Spectron 600D will range upward to the level of the leak. If no leak larger than 0.6×10^{-3} atm cc/sec is found, the unit will range downward to the 10^{-4} range.
6. If no leak larger than 0.6×10^{-4} atm cc/sec is found, and the Minimum Gross Test timer has expired, the Spectron 600D internal computer will check the test port pressure.
7. When the test port pressure reaches Crossover 1 (Reverse Flow Crossover), and the Minimum Roughing timer has expired, the external rough valve closes and leak testing starts in Reverse Flow mode in the 10^{-5} atm cc/sec range.
8. Begin spraying helium around the object under test. If no leak larger than 0.6×10^{-5} atm cc/sec is found, the Spectron 600D will range downward until a leak is found.
9. If the Spectron 600D ranges down to the 10^{-8} atm cc/sec range and finds no leak larger than 0.6×10^{-8} atm cc/sec, the internal computer will check the test port pressure to determine if the unit can cross over into Direct Flow.

10. When the test port pressure reaches Crossover 2 (Direct Flow Crossover), the Fine Crossover Delay (D1) will commence. This delay may be increased from the default value of 0.1 seconds if the test part is large or has a high gas load in order to minimize the high vacuum burst at crossover and the stress on the filament.
11. When the Fine Crossover Delay expires, the Fine valve will open and the Rough Close Delay (D2) will commence. In most cases this delay should be set for 0.1 seconds. When the Rough Close Delay expires, the external rough valve will close.
12. Continue spraying helium around the object under test. The Spectron 600D will begin leak testing in the Direct flow mode in the 10^{-9} atm cc/sec range.
13. If no leaks are found in the 10^{-9} atm cc/sec range, the Spectron 600D will range downward to the most sensitive level, the 10^{-10} atm cc/sec range. If the leak rate increases to be greater than 9×10^{-5} atm cc/sec, the Spectron 600D will cross back into the Gross testing mode.
14. At any time during testing or in standby, the Spectron 600D may be switched to Manual Ranging by pressing the Auto/Manual Ranging switch, or the Range Up or Down Arrow switches.
15. If the unit is in Manual ranging, leak testing will occur in the range chosen and in the appropriate flow mode; Gross Testing in the ranges between 100 and 10^{-4} atm cc/sec, Reverse Flow testing in the ranges between 10^{-3} and 10^{-8} atm cc/sec and Direct Flow Testing in the ranges between 10^{-9} and 10^{-10} atm cc/sec. To change ranges during testing, press the Range Up or Down arrows on the User Panel.

16. If the leak rate specification is tight, and the object under test is believed to have significant background levels, it is suggested that the object be allowed to range down to the level of its background before helium is sprayed. When the background level is stable, press the Zero switch to cancel out the background, then begin spraying helium. The Zero function will cancel out a maximum of two decades of background helium. This will allow the leak rate of the part to be identified separately from the background.
17. When leak testing is complete, press the Stop/Vent push-button. Holding the switch for a period longer than the Vent Delay (D3) will automatically vent the test port and the test object. The vent valve will remain open until the test port pirani has indicated a reading of Atm (atmosphere) for a the time set as Vent Duration (D4). Remove the test object from the test port.

2.8 Sniff Testing

Sniff Testing is available in both Product Testing and Process System testing modes. Refer to the Spectron 600 Operations and Maintenance Manual for a complete description.

2.9 Setting Test and System Parameters; Test Aides

Refer to the Spectron 600 Operations Manual, Sections 2.7, 2.8 and 2.9.

2.10 Shut Down Procedure

The Spectron 600D may be shut down at any time by pressing the main On/Off switch to the Off position. No special procedure is required.

WARNING!

If the Spectron 600D has been running and is turned Off, wait at least thirty (30) seconds before turning power back On. Failure to do this may result in the diaphragm stage of the internal dry pump not properly re-powering, and could cause damage to the pump.

Section 3 Service and Maintenance

3.1 Service Mode

WARNING!

Only qualified service personnel should operate the unit when either the front or rear panels are open. Potentially lethal high voltages are continually applied to the circuit boards and other areas within the unit during its operation. Failure to follow this precaution may lead to severe injury or death.

The Service Mode of the Spectron 600 is intended for use by qualified Edwards Service personnel or users specifically trained by Edwards. Under no circumstances should any individual be assigned access to this mode without a thorough knowledge of vacuum systems as well as the Spectron 600D System. Use by an unqualified operator may result in damage to the unit and/or personal injury.

In Service Mode the Spectron 600D may be operated as a totally manually operated and sequenced leak detector. In this mode the vacuum system of the unit operates without its normal computer protected safeguards. Contamination and/or damage to the unit will occur if the vacuum system is not properly sequenced. If in any doubt, operate the various valves and controls that comprise the vacuum system in the same sequence as the Spectron 600D operates in its standard/fully automatic mode.

To perform many of the service and/or repair procedures described in this section, the Spectron 600D will have to be placed into its Service Mode. To place the unit in Service Mode:

- 1) Open the rear panel of the unit (loosen the 1/4-turn screw at the top of the panel, then gently lower the door).
- 2) A circuit board is mounted on the inside of the rear panel. On the right side towards the top of the board a black push-button is found. Press the push-button. The unit is now in Service Mode and the Service Mode indicator on the unit's front panel is illuminated.

3.2 Calibration and Tuning

The Spectron 600D Automatically tunes and calibrates in the same manner as the Spectron 600T, except that when set for Product Testing mode, the Reverse flow mode is not calibrated.

It is recommended that a Cal Check be performed regularly on the Spectron 600D. This should be done at least once a day and more often if the leak detector is under heavy use or if required by the testing specification.

A full Automatic Tune cycle should be initiated on the Spectron 600D weekly. This will ensure that the system mass spectrometer remains optimized.

Refer to the Spectron 600 Operations and Maintenance Manual for a complete description of Cal Check and Automatic Tuning.

3.3 Periodic Service

Clean Test Port Centering Ring:

A properly sealing test port O-ring is essential in assuring rapid pump down of a test object. The O-ring should be inspected frequently, at least once each week.

To access the O-ring, remove the NW clamp and centering ring atop the test port. With a nonmetallic instrument or by hand, carefully remove the O-ring. Wipe the O-ring with a lint free cloth and inspect it carefully for any damage such as any cuts, wear or flat spots. Replace the O-ring if any damage is observed. Re-install the O-ring onto the centering ring. Reattach the centering ring and clamp, being careful to avoid damaging the O-ring.

Check Air Filters:

The Spectron 600D has one large filter that cleans the cooling air drawn into the unit. The filter is located within the left side panel (as viewed from the front of the unit).

The reusable wire mesh filter can be removed for cleaning by removing the screws that attaches the filter to the outer panel. It may be cleaned with compressed air (in the reverse direction of normal air intake) or can be washed with soap and water. The HEPA filters on the Stainless Steel unit can not be cleaned and must be replaced. Refer to Section 4, **Parts**, for the HEPA filter Part Numbers.

Check Exhaust Filter on Internal Dry Pump

The internal Dry pump has an exhaust filter/muffler on the diaphragm section of the pump. Check this filter periodically to ensure that excess particles or dust which could inhibit proper exhausting of the pump have not accumulated. The filter/muffler may be removed and cleaned with clean, high pressure air, or replaced.

3.4 Contamination of the Vacuum System and Dry Pump Problems

All leak detectors are subjected to contamination of the vacuum system by repeated exposure to gases and other matter drawn from test objects during ordinary testing. This matter will settle throughout the vacuum system. Special consideration should always be given for contamination of the mass spectrometer and the diaphragms of the dry drag/diaphragm pump. As a result of contamination, system performance will drop and sensitivity will decrease. Cleaning and re-calibration of the vacuum system is necessary to restore the unit to optimum performance.

Drag/diaphragm dry pumps have rubber diaphragms which may become worn, torn or saturated with helium. Troubleshooting aides for the dry pump are included below. Replacement diaphragms may be obtained from Edwards, either as part of the Maintenance Kit or individually (see the Recommended Spare Parts in Section 4, **Parts**).

Indications of Contamination or Dry Pump Problems

1. The amplifier gain is excessively high ($G2 > 8$ or $G3 > 6$). This indicates that the sensitivity of the mass spectrometer has decreased and the automatic gain compensation of the unit is reaching its limit. Verify tuning by performing the Tune function. If after the Tune function has been performed, the gain value is not lower than previously reported, the mass spectrometer should be removed from the high-vacuum system and cleaned (the procedure is described in the Spectron 600 Operations and Maintenance Manual).
2. The foreline pressure cannot be reduced to less than 15 Torr. This may be an indication that one or both of the diaphragms in the internal dry pump is torn or unseated, due to wear. The diaphragm(s) should be replaced (see Section 4, **Parts**).

3. The foreline pressure cannot be pumped to less than 4 Torr. This may be an indication that the drag section of the internal dry pump is not functioning properly. Contact Edwards Service.

4. With the test port plug in place, the leak rate indicator does not reach a zero reading even after prolonged pumping. This condition indicates that the accumulated contaminants within the unit have absorbed a high amount of test helium. When this occurs, place the unit in its standby mode for a minimum of three minutes. The unit will be able to pump away some of the background helium and to take new measurements. Re-testing of the test object is recommended at this point. If the situation is still not remedied, a system-wide cleansing of the internal components of the unit is in order. It may also help to change the diaphragms on the internal dry pump, as they may have become excessively saturated with helium.

Note that it is possible that the symptoms listed above may also be due to causes other than contamination. The following problems should be considered and eliminated prior to proceeding with contamination-related service:

- leak in the vacuum system
- incorrectly tuned spectrometer
- malfunctioning turbo molecular pump

Sensitivity Check

A sensitivity check provides an indication of how the leak detector is responding to repeated exposure to gases drawn into its vacuum system. Matter contained in these gases tends to contaminate the mass spectrometer and reduce its sensitivity. The unit's computer senses this reduction and automatically compensates for this loss by increasing the helium signal amplifier gain (the Amplifier Gain function divided into **G1**, gain during gross mode testing; **G2**, gain during reverse mode testing; or **G3**, gain during direct mode testing). Ultimately, if the unit were to be left unserviced, through continuing computer adjustment in response to increasing contamination, the reserve gain would be exhausted. A cleaning and re-calibration of the mass spectrometer components is necessary to prevent this condition.

A sensitivity check is made by first performing a Cal Check. When the Cal Check has been completed and the unit is fully calibrated, press the SELECT momentary switches on the Service Panel until the AMP GAIN function is reached. As stated above, three Gain measurements are available: G1, G2 and G3. The SELECT switches are also used to toggle between the three measurements. The scale of amplifier gain is between 0.1 and 10.

Typical gains for a clean system are:

G1: (set by the User, not affected by Auto Tune or Cal Check)
G2: 2 - 4
G3: 1 - 3.

As the system progressively becomes more contaminated, the gain also increases (becomes closer to 10).

To correct this condition, the Tune function must be used (as described in the Spectron 600 Operations and Maintenance Manual). It is recommended that the Spectron 600D be tuned weekly to ensure that the mass spectrometer remains optimized. If the Tune function has been performed, and either G2 is greater than 8 or G3 is greater than 6, the mass spectrometer assembly should be removed, cleaned and re-calibrated as described in the Spectron 600 Operations and Maintenance Manual.

Pump Contamination

Unlike the Spectron 600T, the Spectron 600D Leak Detector does not have the internal Purge valve connected to the internal pump. As the internal drag/diaphragm pump contains no oil, purging of the pump to drive contaminants out of the oil is obviously unnecessary. If excess helium accumulates in the pump, allow the system to remain in standby until the internal pump cleans up the helium (pumps it away).

3.5 Venting and Cleaning the Vacuum System

Refer to the Spectron 600 Operations and Maintenance Manual for complete instructions on venting and cleaning the vacuum system of the Spectron 600D. Refer to the manufacturer's manual for cleaning instructions for the drag section of the internal dry pump.

3.6 Calibration Requirements

Refer to the Spectron 600 Operations and Maintenance Manual for Calibration requirements.

3.7 General Service & Repair

Refer to the Spectron 600 Operations and Maintenance Manual for General Service and Repair, including Servicing the Valves, Replacing the Filaments, Replacing the Internal Leak Standard and Circuit Board Replacement.

Section 4: Parts

4.1 Introduction

This section contains a listing of recommended spare parts for the Spectron 600D, as well as an illustration of the internal dry pump with major components and replaceable parts identified.

Illustrated parts lists of the vacuum system and the valve block are included in the Spectron 600 Operations and Maintenance Manual, Chapter 5.

4.2 Recommended Spare Parts for the Spectron 600D

Description	Part Number
Mass Spectrometer	D155-01-816
Source Assembly	D155-01-817
Source Rebuild Kit	D155-01-815
Collector Assembly	D155-01-818
Filament Kit	D155-01-820
Diaphragm Pump	
115V/60 Hz & 100V/60 Hz	D155-04-115
230-240V/ 50 Hz	D155-03-230
100V/50 Hz	D155-03-100
Drag Pump	
Pump	D155-03-300
Pump Power Supply	D155-03-310
Inlet Screen	D155-02-873
Turbomolecular Pump	B722-01-000
Turbo Controller	D396-20-000
Turbo Cable	D396-18-010
Pirani Gauge	D155-02-826
Circuit Boards	
A Board	D155-01-850
B Board	D155-01-851
C Board	D155-01-852
D Board	D155-01-853
CPU Board	D155-01-854

Maintenance Kit	D155-03-800
O-Ring Kit	D155-02-800
Air Filter	D155-02-827
Filament Kit	D155-01-820
High Vacuum Grease	U300-02-075
Tool Kit	D155-01-825
LED - Start Switch	D155-02-854
Fuse; 90 - 115V	D155-02-853
Fuse; 200 - 260V	D155-02-852
Filter, Silencer, 1/4 NPT	D155-02-842
Filter, Silencer, 1/8 NPT	D155-02-844
Filter, 1/8 NPT, male	D155-02-855
Muffler, 1/4 NPT, male	D155-02-856
Diaphragm, Dry Pump	D155-02-857
Grease Syringe, Dry	D155-02-858
Pump Drag Stage	
O-Ring, 3 1/8 ID x 3/16	D155-02-859

Cabinet Air Filters

Standard Unit:

Mesh Filter	D155-02-827
-------------	-------------

Stainless Steel Unit:

HEPA Filter, Rear Panel	D155-02-860
HEPA Filter, Side Panel	D155-02-861

4.3 Spectron 600D Optional Accessories

Cart	D155-01-500
Stainless Steel Cart	D155-05-500
Hand Held Remote	D155-01-510
Vacuum Sniffer Probe	D155-01-520
Hard Travel Case	D155-01-530
External Roughing Option Kit	D155-01-540

4.4 Internal Dry Pump Illustrated Parts List

Item #	Description	Part Number
1	Diaphragm Pump Assembly:	
	115V/60 Hz, 100V/60 Hz	D155-04-115
	230-240V/50 Hz	D155-03-230
	100V/50 Hz	D155-03-100
2	Vent Valve:	
	115V/60 Hz, 100V/60Hz	D155-02-863
	230-240V/50 Hz	D155-02-864
	100V/50 Hz	D155-02-865
3	Vacuum Switch	D155-02-866
4	Timer	D155-02-867
5	Filter, 1/8 NPT, male	D155-02-855
6	Vent Orifice	D155-02-869
7	Muffler, 1/4 NPT, male	D155-02-856
8	Tubing, Flexible, SST	D155-02-871
9	Drag Pump	D155-03-300
10	Inlet Screen, Drag Pump	D155-02-873
11	Manifold, Drag Pump	D155-02-874
12	Centering Ring, ISO 63	B271-58-170
13	Claw Clamp	D155-02-830
14	Power Supply, Drag Pump	D155-03-310

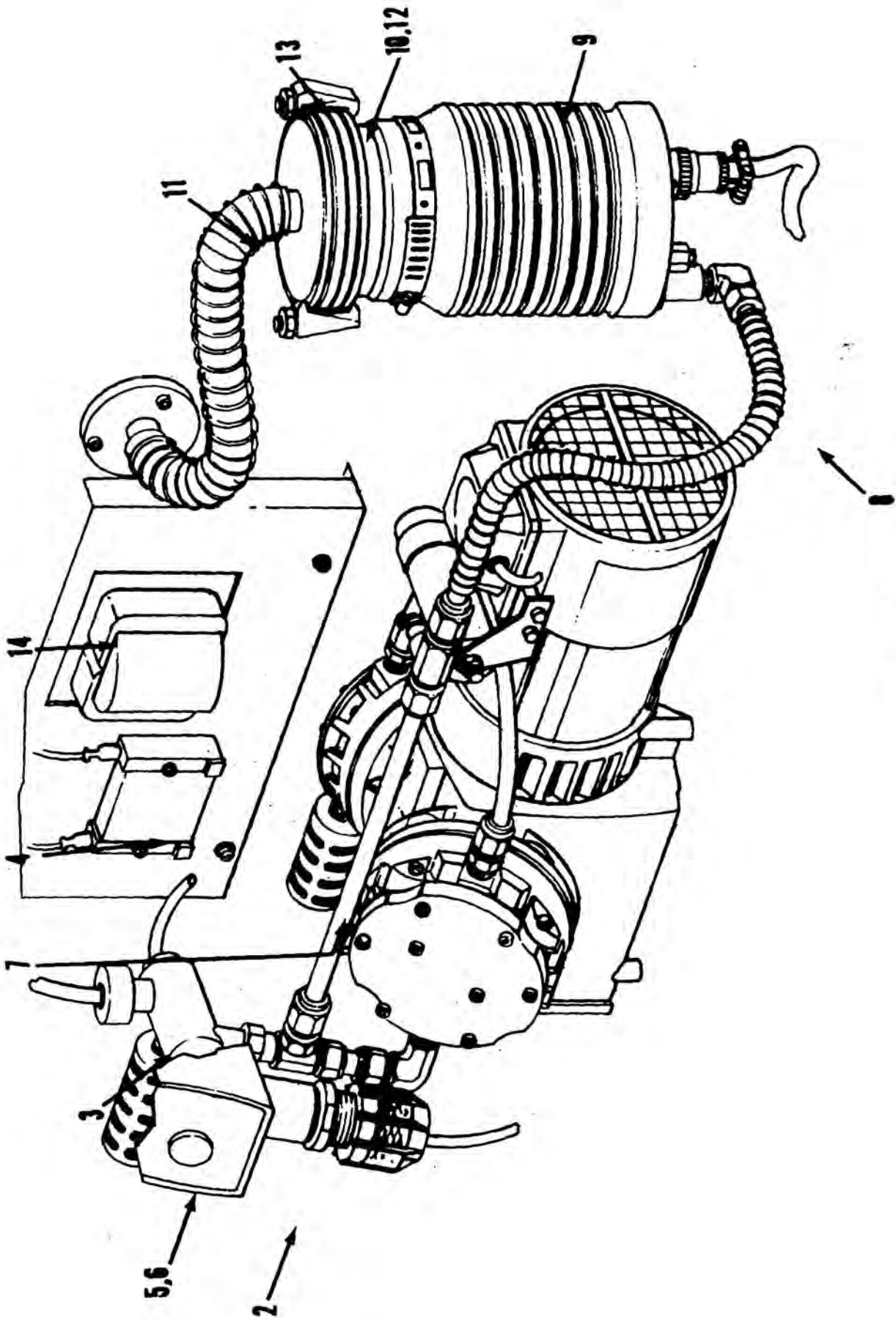


Figure G-1
Spectron 600D
Internal Dry Pump Assembly

Return of Edwards Equipment - Procedure

(Form HS1)

Introduction

Before you return your equipment you must warn your supplier if the substances you used (and produced) in the equipment can be dangerous. You must do this to comply with health and safety at work laws.

You must complete the Declaration (HS2) on the next page and sent it to your supplier before you dispatch the equipment. If you do not, your supplier will assume that the equipment is dangerous and he will refuse to accept it. If the Declaration is not completed correctly, there may be a delay in processing your equipment.

Guidelines

Take note of the following guidelines:

- Your equipment is '**uncontaminated**' if it has not been used or if it has only been used with substances that are not dangerous. Your equipment is '**contaminated**' if it has been used with any dangerous substances.
- If your equipment has been used with radioactive substances, you must decontaminate it before you return it to your supplier. You must send independent proof of decontamination (for example a certificate of analysis) to your supplier with the Declaration (HS2). Phone your supplier for advice.
- We recommend that contaminated equipment is transported in vehicles where the driver does not share the same air space as the equipment.

PROCEDURE

Use the following procedure:

1. Contact your supplier and obtain a Return Authorization Number for your equipment.
2. Turn to the next page(s), photocopy and then complete the Declaration (HS2).
3. Remove all traces of dangerous gases: pass an inert gas through the equipment and any accessories which will be returned to your supplier. Drain all fluids and lubricants from the equipment and its accessories.
4. Disconnect all accessories from the equipment. Safely dispose of the filter elements from any dl mist filters.
5. Seal up all of the equipment's inlets and outlets (including those where accessories were attached). You may seal the inlets and outlets with blanking flanges or heavy gauge PVC tape.
6. Seal contaminated equipment in a thick polythene bag. If you do not have a polythene bag large enough to contain the equipment, you can use a thick polythene sheet.
7. If your equipment is a large pump (or any other large piece of equipment), strap the equipment and its accessories to a wooden pallet. Preferably, the pallet should be no larger than 510mm x 915mm (20" x 35"); contact your supplier if you cannot meet this requirement.
8. If your equipment is too small to be strapped to a pallet, pack it in a suitable strong box.
9. If the equipment is contaminated, label the pallet (or box) in accordance with laws covering the transport of dangerous substances.
10. Fax or post a copy of the Declaration (HS2) to your supplier. The Declaration must arrive before the equipment.
11. Give a copy of the Declaration to the carrier. You must tell the carrier if the equipment is contaminated.
12. Seal the original Declaration in a suitable envelopes attach the envelope securely to the outside of the equipment package. **WRITE YOUR RETURN AUTHORISATION NUMBER CLEARLY ON THE OUTSIDE OF THE ENVELOPE OR ON THE OUTSIDE OF THE EQUIPMENT PACKAGE.**

Edwards International Service

Europe

United Kingdom

Edwards High Vacuum International
Manor Royal
Crawley
West Sussex
RH10 2LW
Tel: +44 (0) 1293 528844
Fax: +44 (0) 1293 533453

Belgium

Edwards
Bergensesteenweg 709
B1600 Sint-Pieters-Leeuw
Tel: +32 (0) 2 363 0030
Fax: +32 (0) 2 363 0064

France

Edwards SA
125 Avenue Louis Roche
92238 Gennevilliers, Cedex
Tel: +331 (1) 47 98 24 01
Fax: +331 (1) 47 98 44 54

Germany

Edwards Hockyakuum GmbH
Postfach 1409
D35004 Marburg
Tel: +49 (0) 6420 82410
Fax: +49 (0) 6420 824111

Italy

Edwards Alto Vuoto SpA
Via Carpaccio 35
20090 Trezzano Sul Naviglio
Milano
Tel: +39 (0) 2 4840 2258
Fax: +39 (0) 2 4840 1638

Switzerland

Edwards (ECH)
Postfach
CH-4104 Oberwil-Basel
Tel: +41 (0) 61 401 4344
Fax: +41 (0) 61 401 4352

Americas

USA

Edwards High Vacuum International
One Edwards Park
301 Ballardvale Street
Wilmington
MA 01887-1075
Tel: +1 (1) 508 658 541 0
Fax: +1 (1) 508 658 7969

Edwards High Vacuum Intentional
Sierra Technology Center
Building 'A' Suite 120
3 1-00 Alvin Devane Boulevard
Austin TX 78741
Tel: +1 (1) 512 389 3883
Fax: +1 (1) 512 389 3890

Edwards High Vacuum International
550 Sycamore Drive
Milpitas CA 95035
Tel: +1 (1) 408 946 4707
Fax: +1 (1) 408 946 8510

Edwards High Vacuum International
1810 W. Drake Drive
Suite 101
Tempe, AZ 85283
Tel: +1 (1) 602-777-7007
Sales Fax: +1 (1) 602-777-2244
Service Fax: +1 (1) 602-777-2202

Canada

Edwards High Vacuum
Tel: +1 (1) 800 387 4076
Fax: +1 (1) 905 845 4924

Brazil

Edwards Alto Vacuo
Rua Bernardo Wrona, 222
Bairro do Limlo
02710 - Sao Paulo - SP
Tel: +55 (0) 11 8580377
Fax: +55 (0) 11 2652766

Pacific

Singapore

Edwards High Vacuum
338 Swee Hong Industrial Building
Circuit Road
Singapore 1337
Tel: +65 841 061 S
Fax: +65 841 0625

Japan

Nippon Edwards KK
Shuwa Shiba Park Building A-3 F
2-4-1 Shibakoen
Minato-Ku
Tokyo 105
Tel: +81 (0) 3 5470 6530
Fax: +81 (0) 3 5470 6521

Nippon Edwards KK
EsakaYodo Building SF
16-34 Enoki-cho
Suita-shi
Osaka 564
Tel: +81 (0) 6 384 7052
Fax: +81 (0) 6 384 7504
Nippon Edwards KK
508-1 Yomogi-machi
Kumamoto-shi
Kumamoto 861-55
Tel: +81 (0) 96 326 7300
Fax: +81 (0) 96 326 7302

Hong Kong

Edwards High Vacuum (Pacific)
1308 Tower 11
World Trade Square
123 Hoi Bun Road
Kwun Tong
Kowloon
Hong Kong
Tel: +(852) 2796 9111
Fax: +(852) 2796 9095

Republic of Korea

Songwon Edwards Ltd
Sun In Building
738-41 Panpo-Dong
Sochu Gu
Seoul
Tel: +82 (0) 2 515 1811
Fax: +82 (0) 2 515 1818



EDWARDS

Edwards High Vacuum International is part of BOC Limited
The stripe symbol is a trademark of the BOC Group