



Edwards EXT-255DX

Technical Specifications

Compression ratio	
N ₂	>1 × 10 ⁸
He	4 × 10 ⁵
H ₂	1.6 × 10 ⁴
Outlet flange	DN25NW
Interstage port (Hi variants)	DN25NW
Recommended backing pump*	RV3
Vent port	1/8 inch BSP female
Purge port	1/8 inch BSP female
Maximum continuous inlet pressure (light gas pumping) †	
water cooling (water at 15 °C, ambient temp at 40 °C)	5 × 10 ⁻³ mbar
forced air cooled, 35 °C ambient	5 × 10 ⁻³ mbar
Nominal rotational speed	60000 rpm
Standby rotational speed	Variable from 33000 to 60000 rpm (42000 rpm default)
Start time 90% speed‡	80 s
Cooling method	Forced air / water
Ambient air temperature for forced air cooling	5-35 °C
Minimum cooling water flow rate water 15 °C)	15 l h ⁻¹
Water temperature range	10-20 °C
Maximum inlet flange temperature	100 °C
Operating attitude	Vertical and upright, through to horizontal
Noise level at 1 metre	<50 dB(A)
Maximum magnetic field	5 mT
Recommended controller	TIC200 turbo or turbo and instrument controlled
Quiescent electrical power	25 W
Interstage pumping speed (Hi variants)	10



INLET FLANGE	DN100ISO-K	DN100CF
Pumping speed (l s ⁻¹)‡		
N ₂	220	220
He	230	230
H ₂	180	180
Ultimate pressure (mbar)		
With rotary vane backing pump***	<5 × 10 ⁻⁹	<5 × 10 ⁻¹⁰
With diaphragm backing pump****	<5 × 10 ⁻⁸	<5 × 10 ⁻⁹
Weight (kg)	6.25	8.6

* A larger backing pump may be required for maximum throughput. A suitable diaphragm pump with ultimate <5 mbar may also be used.

† Above this inlet pressure, rotational speed drops to below nominal.

‡ Power limit set to 160 W.

*** Ultimate pressure 48 hours after bakeout with 2 stage rotary vane backing pump.

**** Ultimate pressure 48 hours after bakeout with P_b <5 mbar (500 Pa)



PROVAC

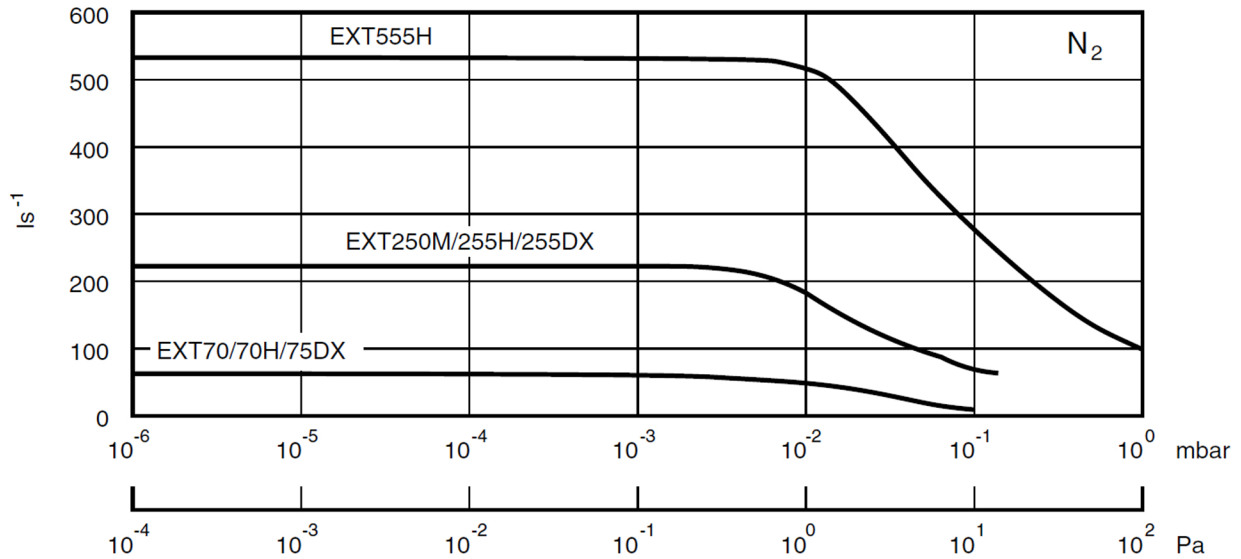
SALES

PHONE: 831-462-8900

FAX: 831-462-3536

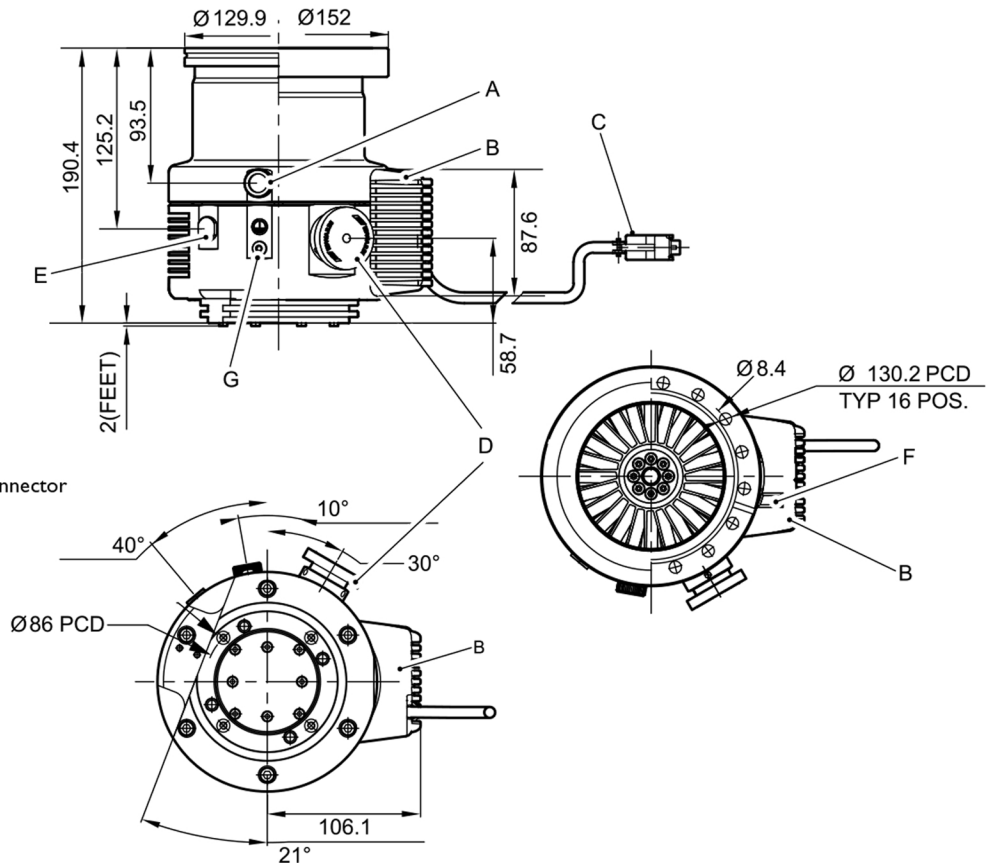
WWW.PROVAC.COM

Edwards EXT-255DX Pumping Curves



Dimensions

- A** Manual vent valve in vent port
- B** Podule
- C** Logic interface connector
- D** Backing Port
- E** Podule connector socket
- F** Allowance for right-angle cable connector
- G** Earth bond point





PROVAC

SALES

PHONE: 831-462-8900

FAX: 831-462-3536

WWW.PROVAC.COM

Edwards EXT-255DX

Features & Benefits

- reliable, hydrocarbon-free vacuum
- ceramic bearings
- quiet, low vibration
- enhanced monitoring capability
- multiple communication modes available

Applications

- analytical instrumentation • mass spectroscopy • electron microscopy
- metrology • sample preparation • surface science • high energy physics
- lasers • research laboratories • ophthalmic coating • thin film deposition
- optical coating • lighting • solar: photovoltaics & thermal