



Edwards EXC-100E, EXC-100L

Technical Specifications

Operating and storage conditions

Ambient operating temperature range	0 to 40 °C
Ambient storage temperature range	-20 to 70 °C
Maximum ambient operating humidity	10 to 95% RH (non-condensing to DIN 40040)
Maximum operating altitude	3000 m
Cooling	Natural convection

Mechanical data

Mass	
EXC100E	0.8 kg
EXC100L	1.0 kg
Enclosure protection	IP20 (as defined by IEC529)
Pollution degree	IEC664, category 2

Electrical data

Electrical supply	
Voltage	90 to 264 V a.c., single-phase
Frequency	47 to 63 Hz
Maximum input power	220 VA
Peak inrush current	11 A at 110 V a.c. 40 A at 240 V a.c.
Fuse rating	2 A, type T 20 mm
Over-voltage transients	IEC664, category 2
Radiated electromagnetic emission	EN50081-1
Electromagnetic immunity	EN50082-2

EXT pump electrical output data

Compatible EXT pumps	EXT70, EXT250, EXT351
Maximum continuous output power	80 W
Maximum output voltage	53 V a.c. r.m.s.
Switching frequency	32 kHz
Nominal output frequency	600 Hz to 1.5 kHz
Maximum output frequency	1.07 x nominal
Standby frequency	70% of nominal



Edwards EXC-100E, EXC-100L

Technical Specifications cont.

Logic interface data

Remote control signals	
Control voltage: low (close)	< 0.8 V d.c.
Control voltage: high (open)	4 to 24 V d.c.
Maximum input current (at 24 V)	80 μ A
Maximum output current (at 0 V d.c.)	160 μ A
Air-cooler electrical supply	
Voltage range	+20 to +26 V d.c.
Maximum output current	150 mA
Vent-valve electrical supply	
Voltage range	+16 to +26 V d.c.
Maximum output current	80 mA
Analogue output	
Output voltage	0 to +10 V d.c. proportional to speed or power: 0 to 10 V \equiv 0 to 100% of pump speed, or 0 to 10 V \equiv 0 to 80 W motor power
Maximum output current	5 mA
TMP Normal and TMP Fail status outputs	
Maximum output voltage (high)	26 V d.c.
Maximum output current	
Vout (low) \geq 0.8 V	20 mA
Vout (low) < 0.8 V (TTL level)	1 mA
TMP On status output	
Logic high output voltage at 8 μ A	4.12 V
Logic low output voltage at 42 μ A	0.77 V



PROVAC

SALES

PHONE: 831-462-8900

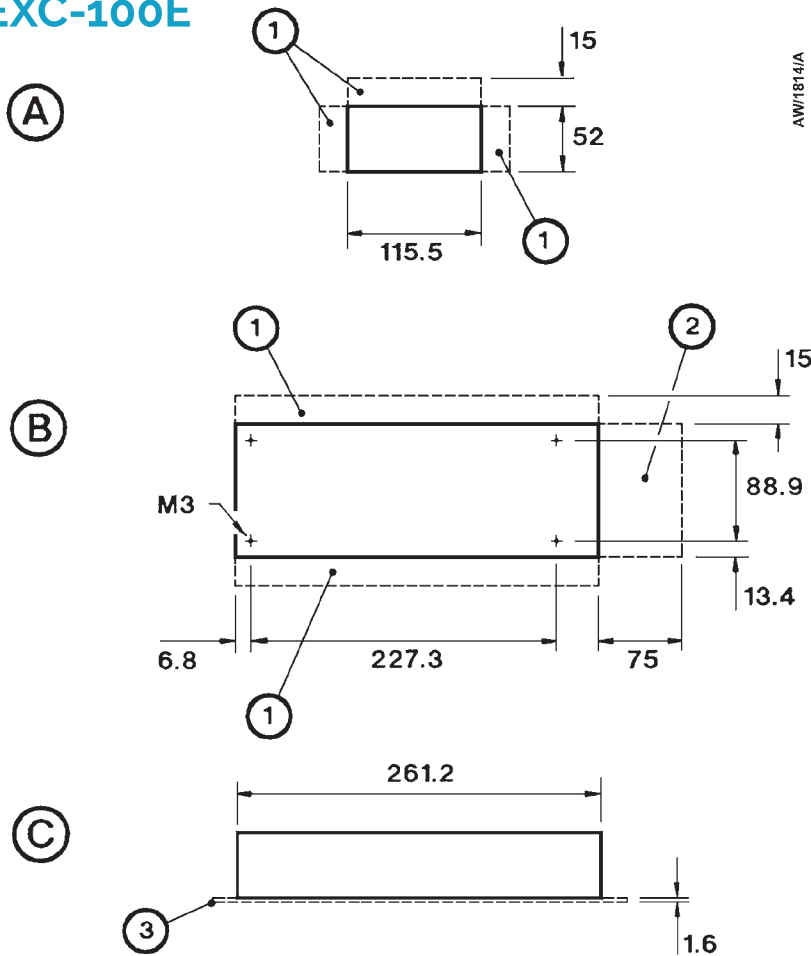
FAX: 831-462-3536

WWW.PROVAC.COM

Edwards EXC-100E, EXC-100L

Dimensions

EXC-100E



- A. Rear view
- B. Top view
- C. Side view

- 1. Clearance for ventilation
- 2. Clearance for cables
- 3. Optional mounting plate