



Edwards E2M2 E2M5 E2M8 E2M12

Technical Specifications

	E2M2	E2M5	E2M8	E2M12
Maximum displacement 50 Hz electrical supply	2.8 m ³ h ⁻¹	5.6 m ³ h ⁻¹	9.5 m ³ h ⁻¹	14.3 m ³ h ⁻¹
60 Hz electrical supply	3.4 m ³ h ⁻¹	6.7 m ³ h ⁻¹	11.4 m ³ h ⁻¹	17.3 m ³ h ⁻¹
Maximum speed - Pneurop 50 Hz electrical supply	2.4 m ³ h ⁻¹	5.0 m ³ h ⁻¹	8.2 m ³ h ⁻¹	12.0 m ³ h ⁻¹
60 Hz electrical supply	2.9 m ³ h ⁻¹	6.0 m ³ h ⁻¹	9.8 m ³ h ⁻¹	14.8 m ³ h ⁻¹
Motor rotational speed 50 Hz electrical supply	1450			
60 Hz electrical supply	1750			
Ultimate vacuum without gas-ballast (partial pressure)	2.5 x 10 ⁻⁴ mbar (2.5 x 10 ⁻² Pa)	2.5 x 10 ⁻⁴ mbar (2.5 x 10 ⁻² Pa)	2.5 x 10 ⁻⁴ mbar (2.5 x 10 ⁻² Pa)	2.5 x 10 ⁻⁴ mbar (2.5 x 10 ⁻² Pa)
without gas-ballast (total pressure)	1 x 10 ⁻³ mbar (1 x 10 ⁻¹ Pa)	1 x 10 ⁻³ mbar (1 x 10 ⁻¹ Pa)	1 x 10 ⁻³ mbar (1 x 10 ⁻¹ Pa)	1 x 10 ⁻³ mbar (1 x 10 ⁻¹ Pa)
with full gas-ballast (partial pressure)	3 x 10 ⁻² mbar (3 Pa)	3 x 10 ⁻² mbar (3 Pa)	3 x 10 ⁻² mbar (3 Pa)	3 x 10 ⁻² mbar (3 Pa)
Maximum water vapour inlet pressure	15 mbar (15 x 10 ² Pa)	15 mbar (15 x 10 ² Pa)	15 mbar (15 x 10 ² Pa)	15 mbar (15 x 10 ² Pa)
Maximum water vapour pumping rate	0.03 kgh ⁻¹	0.06 kgh ⁻¹	0.1 kgh ⁻¹	0.18 kgh ⁻¹
Maximum permitted outlet pressure (at full pump throughput)	0.5 bar gauge 1.5 bar absolute 1.5 x 10 ⁵ Pa			

Applications

- freeze dryers • glove boxes • load locks • ultra high speed centrifuges
- leak detection • mass spectrometers • particle size analyzers • sulfur detectors • high energy physics • backing pump • air conditioning
- vacuum furnace



PROVAC

SALES

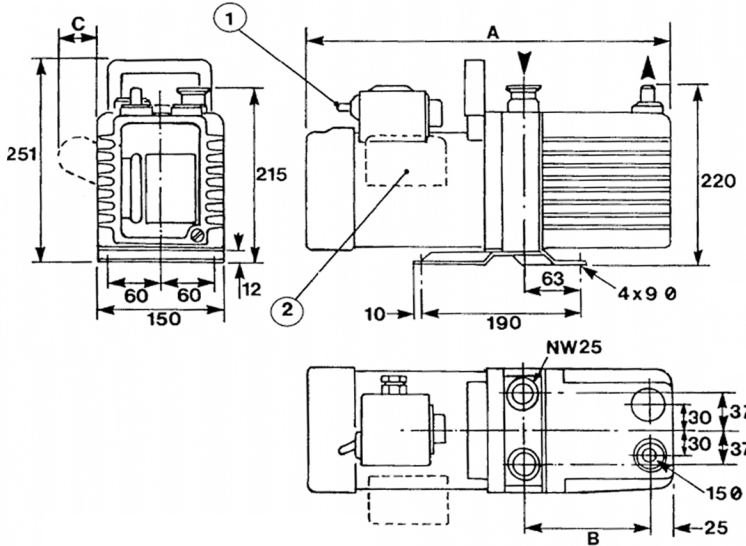
PHONE: 831-462-8900

FAX: 831-462-3536

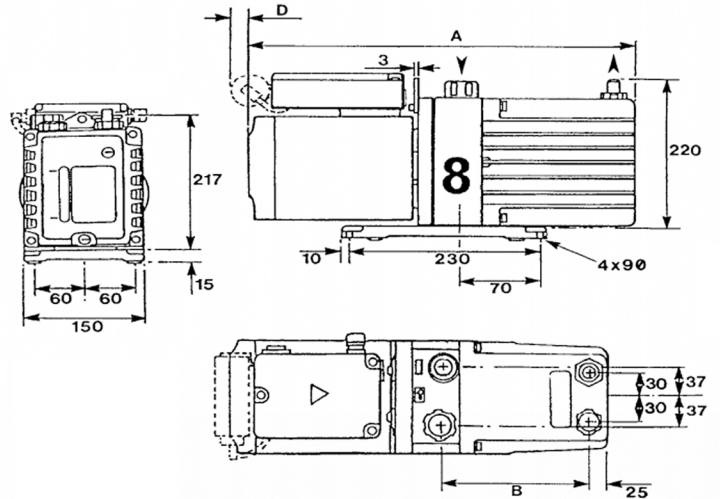
WWW.PROVAC.COM

Edwards E2M2 E2M5 E2M8 E2M12 Dimensions

E2M2, E2M5



E2M8



E2M12

