



# Edwards E2M1

## Technical Specifications

Maximum displacement	<b>E2M1</b>
50 Hz electrical supply	1.0 ft <sup>3</sup> min <sup>-1</sup>
60 Hz electrical supply	1.3 ft <sup>3</sup> min <sup>-1</sup>
Maximum pumping speed - Pneuop	
50 Hz electrical supply	0.94 ft <sup>3</sup> h <sup>-1</sup>
60 Hz electrical supply	1.2 ft <sup>3</sup> h <sup>-1</sup>
Motor rotational speed	
50 Hz electrical supply	2800 r min <sup>-1</sup>
60 Hz electrical supply	3400 r min <sup>-1</sup>
Ultimate vacuum	
without gas-ballast (partial pressure)	3.8 x 10 <sup>-4</sup> torr (5 x 10 <sup>-2</sup> Pa)
without gas-ballast (total pressure)	1.1 x 10 <sup>-3</sup> torr (1.5 x 10 <sup>-1</sup> Pa)
with full gas-ballast (partial pressure)	1.9 x 10 <sup>-2</sup> torr (2.5 Pa)
Maximum water vapour inlet pressure	11.3 torr
Maximum water vapour pumping rate	16 g h <sup>-1</sup>
Maximum permitted outlet pressure (at full pump throughput)	0.5 bar gauge 1.5 bar absolute (1.5 x 10 <sup>5</sup> Pa)

Pump	Nominal supply (V)	Frequency (Hz)	Full load current (A)	Start-up current (A)	Maximum fuse rating (A)*
E2M1	100-115	50	3.1	12.0	10
	100-120	60	3.0	11.2	10
	200-230	50	1.3	5.5	6
	200-230	60	1.4	5.2	6

\* Fuses should be EN60269 Section 2.2 or to BS 1362.



# PROVAC

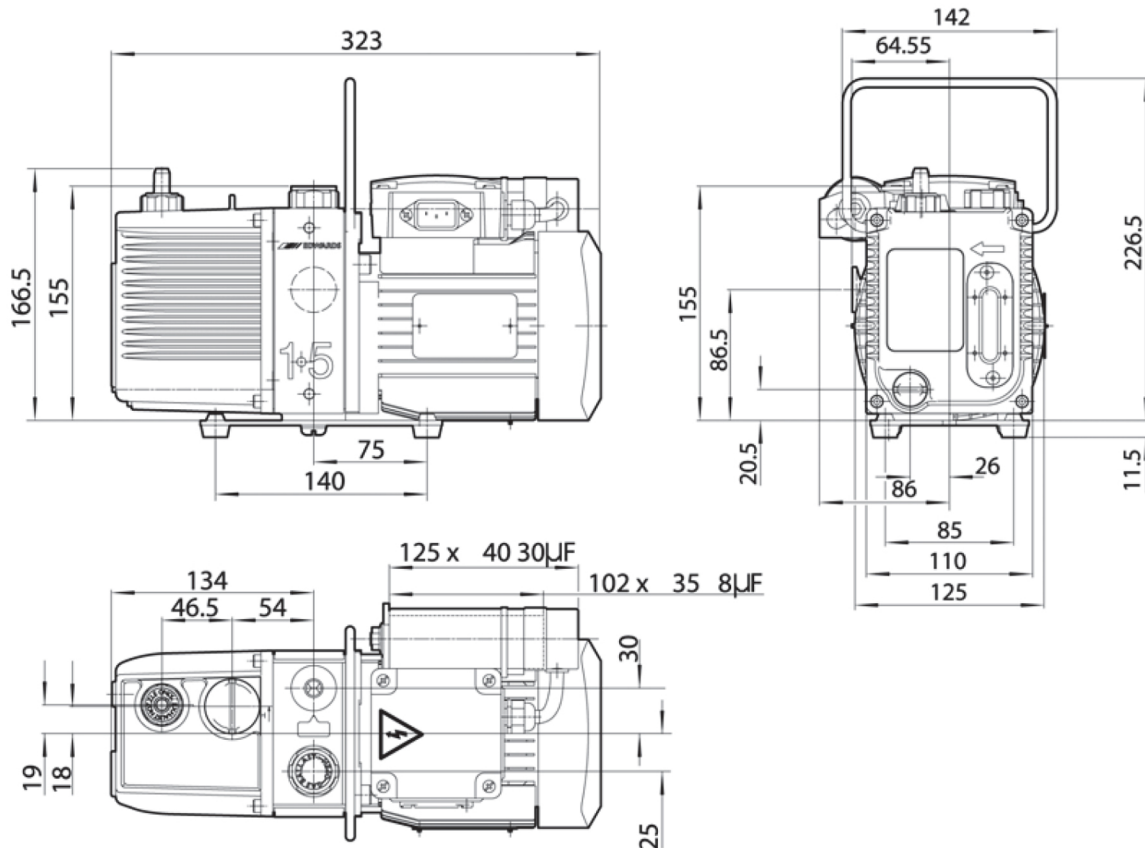
## SALES

PHONE: 831-462-8900

FAX: 831-462-3536

WWW.PROVAC.COM

## Edwards E2M1 Dimensions



## Applications

- freeze dryers • glove boxes • load locks • ultra high speed centrifuges
- leak detection • mass spectrometers • particle size analyzers • sulfur detectors • high energy physics • backing pump • air conditioning
- vacuum furnace