



Alcatel Drytel 1025

Technical Specifications

			1025 standard			
			MDP 5011		ATH 31+	
High vacuum pump			AMD1		AMD4	
Primary pump			AMD1	AMD4	AMD1	AMD4
H.P. pump. speed (60 Hz)		m ³ /hr	1.4	4	1.4	4
L.P. pump. speed	N2	l/s	7.5		30	
	He	l/s	4		20	
	H2	l/s	3		14	
Ult. pressure		mbar	10 ⁻⁶		<10 ⁻⁸ (*)	
Start-up time		min	2		2	
Cooling system			Air		Air	
Maximum ambient temperature		°C	0 to 40		0 to 40	
Maximum power consumption		VA	< 160	< 310	< 160	< 310
Weight		kg (lb)	16 (34)	26 (56)	16 (34)	26 (56)
Standard flange			63 ISO-K		63 ISO-K or 63 CF-F	
Size	L	mm	385	385	385	385
	W	mm	305	410	305	410
	H	mm	265	265	240	240

* : with CF-F 63 housing after 48 hours of baking according to Pneurop standard.

** : with purge.





PROVAC

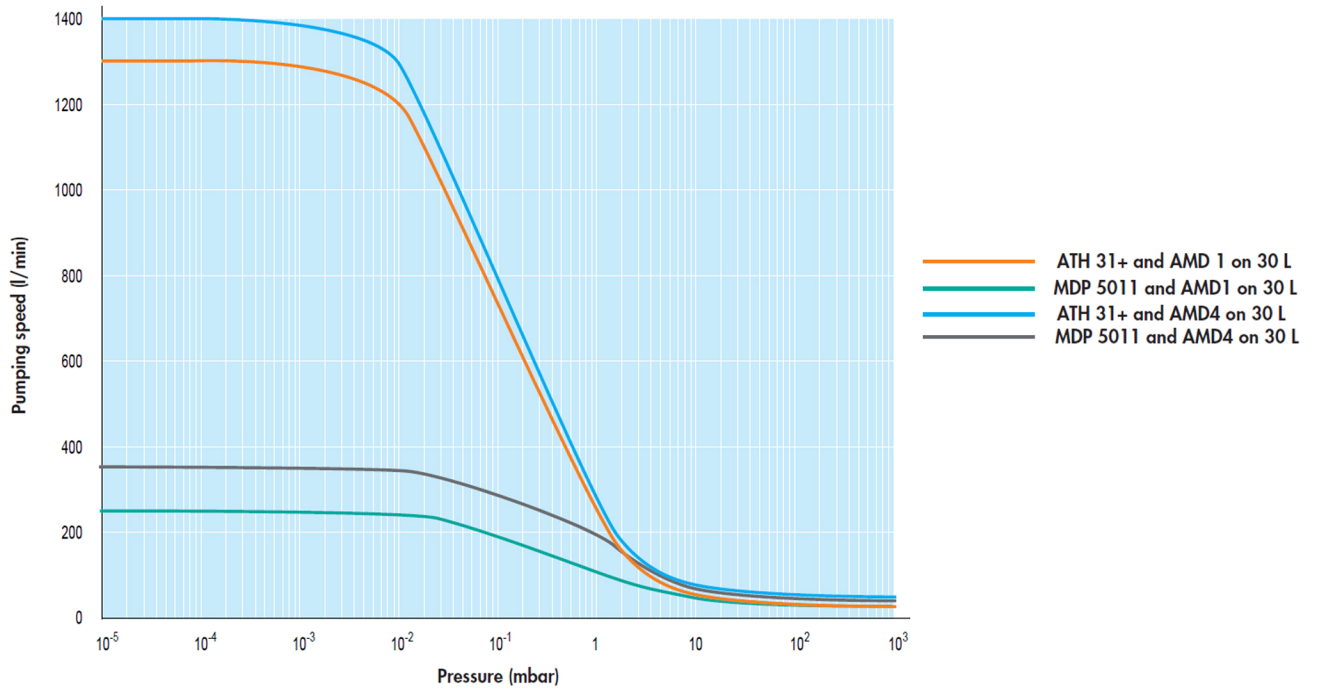
SALES

PHONE: 831-462-8900

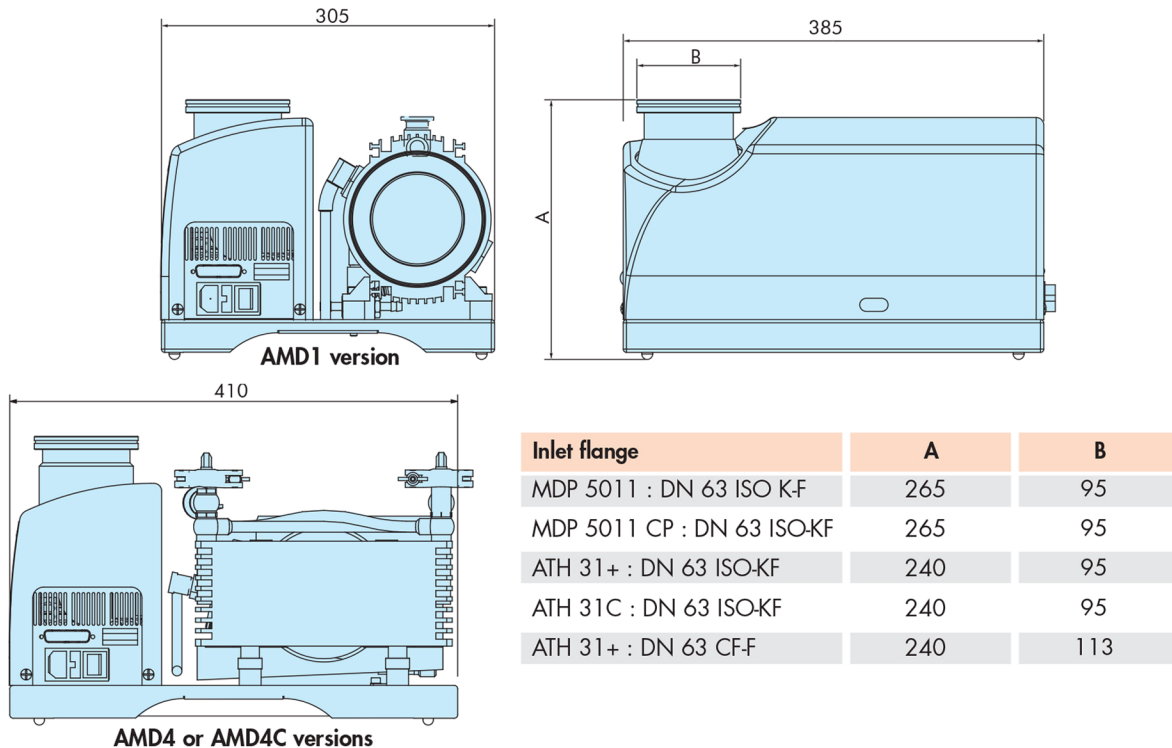
FAX: 831-462-3536

WWW.PROVAC.COM

Alcatel Drytel 1025 Pumping Curves



Dimensions





Alcatel Drytel 1025

Features & Benefits

- oil-free pumping system
- no contamination from internal lubricants
- designed to be used on a benchtop or easily integrated into a system
- flexible and compact
- easy to maintain
- low cost of ownership
- customization available

Applications

- semiconductor • analytical instrumentation • pharmaceutical • mass spectrometry • chemicals • research & development • backing turbo pumps • loadlock pumping • surface analysis • ion pump evacuation
- cryopump regeneration • calibration • gas industry • gas lines

