



Leybold Divac 4.8VT

Technical Specifications

4.8 VT

Max. pumping speed (atm.)	m ³ /h (cfm)	4.8 (2.83)
Ultimate pressure (absolute)	mbar (Torr)	≤ 2 (≤ 1.5)
Max. exhaust back pressure (absolute)	mbar (Torr)	2000 (1500)
Pump heads		2
Connection		
Inlet (suction side)	DN	16 KF
Exhaust (delivery side)	DN	Silencer
Thread (suction and delivery side)	G	G 3/8"
Noise level acc. to DIN 45 635 Part 13, approx.	dB(A)	55
Permissible gas admission temperature, max.	°C (°F)	+5 to +40 (+41 to +104)
Permissible ambient temperature, max.	°C (°F)	+5 to +40 (+41 to +104)
Voltage / nominal frequency (1 ph. motor)		
Schuko plug	V / Hz	230 / 50 ± 10%
NEMA plug	V / Hz	115 / 60 ± 10%
Protective class	IP	54
Motor power	W	350
Current consumption	A	2.6
Nominal speed, approx. (50/60 Hz)	min ⁻¹	1500/1800
Dimensions (W x H x D), approx.	mm (in.)	324 x 273 x 220 (12.76 x 10.75 x 8.66)
Weight, approx.	kg (lbs)	18.0 (39.74)
Material		
Diaphragm		EPDM
Valves		Viton
Pump head		Aluminum



PROVAC

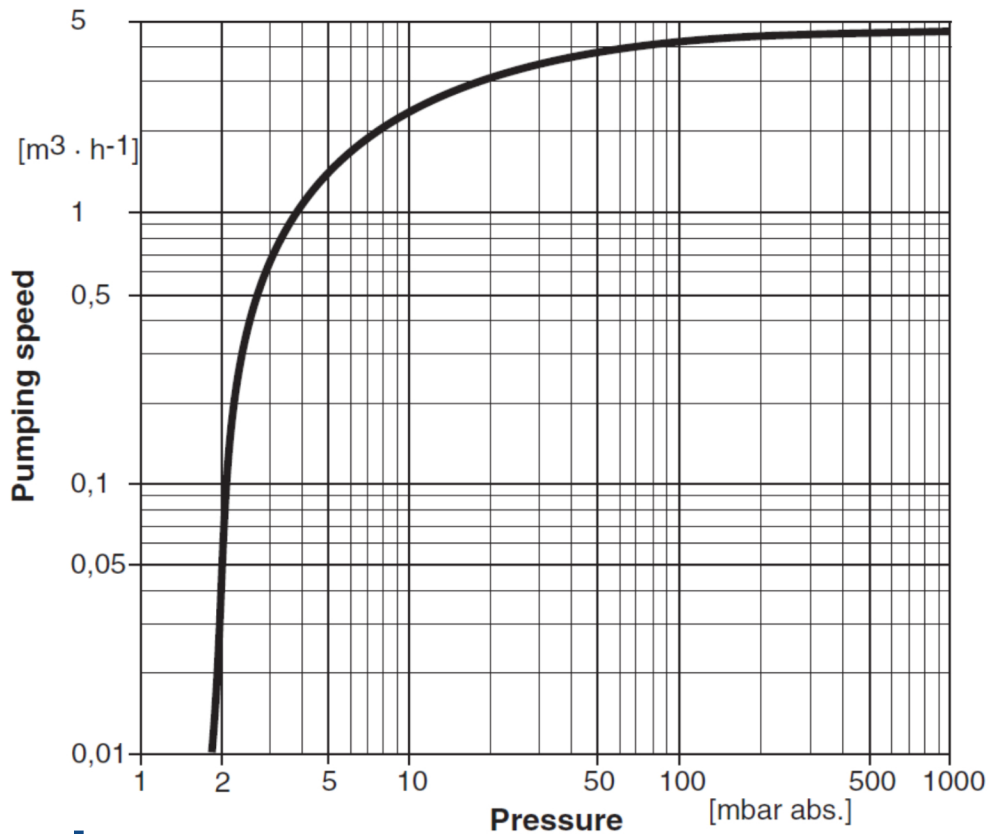
SALES

PHONE: 831-462-8900

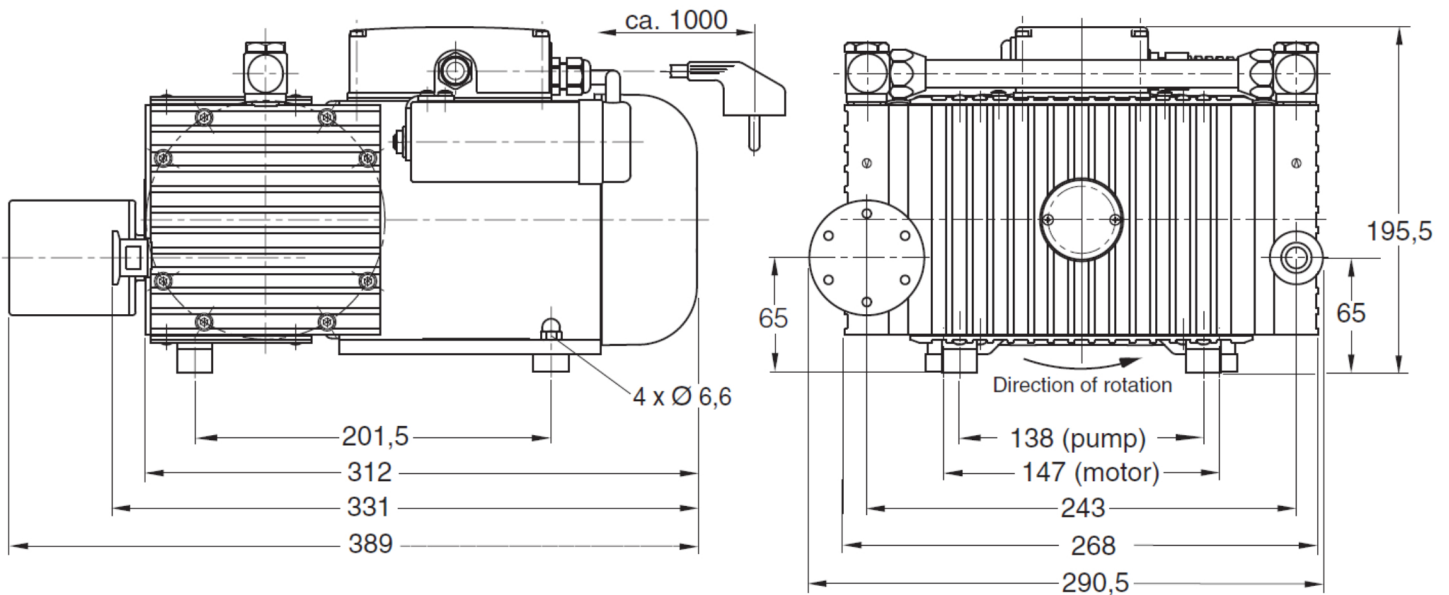
FAX: 831-462-3536

WWW.PROVAC.COM

Leybold Divac 4.8VT Pumping Curves



Dimensions





PROVAC

SALES

PHONE: 831-462-8900

FAX: 831-462-3536

WWW.PROVAC.COM

Leybold Divac 4.8VT Features & Benefits

- newly developed automatic drying system
- used in applications where very moist/wet gas needs to be pumped over extended periods of time
- constant pumping speed
- basically corrosion & solvent resistant
- dry compressing, oil-free
- very high water vapor tolerance
- low maintenance costs & long service intervals
- low noise operation
- portable, compact, small footprint
- can be operated in any orientation
- overheat protection via thermofuse

Applications

- vacuum filtration • vacuum distillation • vacuum drying • extracting & transferring gases • rotary evaporators • gel drying • steam sterilization