



Leybold Divac 1.4HV3, 3.8HV3

Technical Specifications

		1.4 HV3	3.8 HV3
Max. pumping speed			
50 Hz	m ³ /h ¹ (cfm)	1.3 (0.77)	3.4 (2.00)
60 Hz	m ³ /h ¹ (cfm)	–	3.8 (2.24)
Ultimate pressure	mbar (Torr)	≤ 1.5 (≤ 1.13)	≤ 1.0 (≤ 0.75)
Max. exhaust back pressure (absolute)	mbar (Torr)	1500 (1125)	
Pump heads		3	
Connection			
Inlet (suction side)	DN	Hose nozzle ID 9	Hose nozzle ID 9
Exhaust (delivery side)	DN	Hose nozzle ID 9	Hose nozzle ID 9
Thread (suction and delivery side)	G	G 1/8"	G 1/4"
Noise level acc. to DIN 45 635 Part 13, approx.	dB(A)	48	54
Permissible gas admission temperature, max.	°C (°F)	+5 to +40 (+41 to +104)	
Permissible ambient temperature, max.	°C (°F)	+5 to +40 (+41 to +104)	
Voltage / nominal frequency (1-ph. motor)			
Schuko plug	V / Hz	90 – 230 / 50-60	90 – 230 / 50-60
NEMA plug	V / Hz	–	115 / 50-60
Protective class	IP	20	
Motor power ¹⁾	W	120	250
at ultimate pressure	W	35	190
Current consumption ¹⁾	A	1.3	1.7
Nominal speed, approx. (50/60 Hz)	min ⁻¹	1500	1500/1800
Dimensions (W ¹⁾ x H ¹⁾ x D), approx	mm (in.)	324 x 158 x 226 (12.76 x 6.22 x 8.90)	295 x 240 x 203 (11.61 x 9.45 x 7.99)
Weight, approx.	kg (lbs)	10.5 (23.18)	18.9 (41.72)
Material			
Pump head		Aluminum	
Structured diaphragm		EPDM	
Valves		EPDM	
Nozzles		PA	



PROVAC

SALES

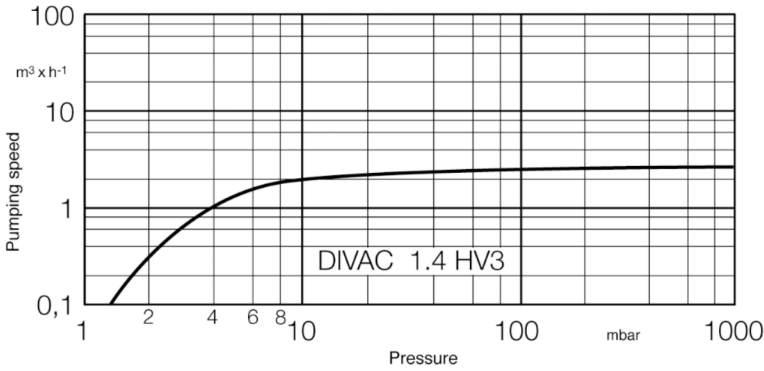
PHONE: 831-462-8900

FAX: 831-462-3536

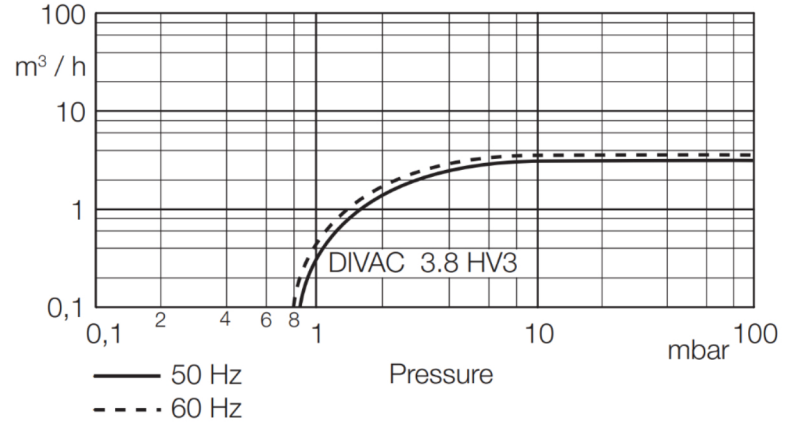
WWW.PROVAC.COM

Leybold Divac 1.4HV3, 3.8HV3 Pumping Curves

1.4HV3

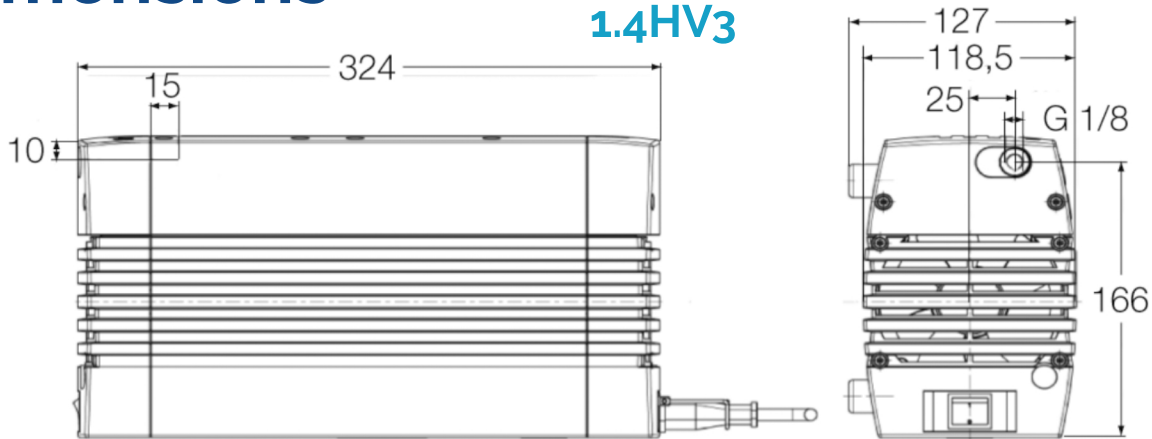


3.8HV3

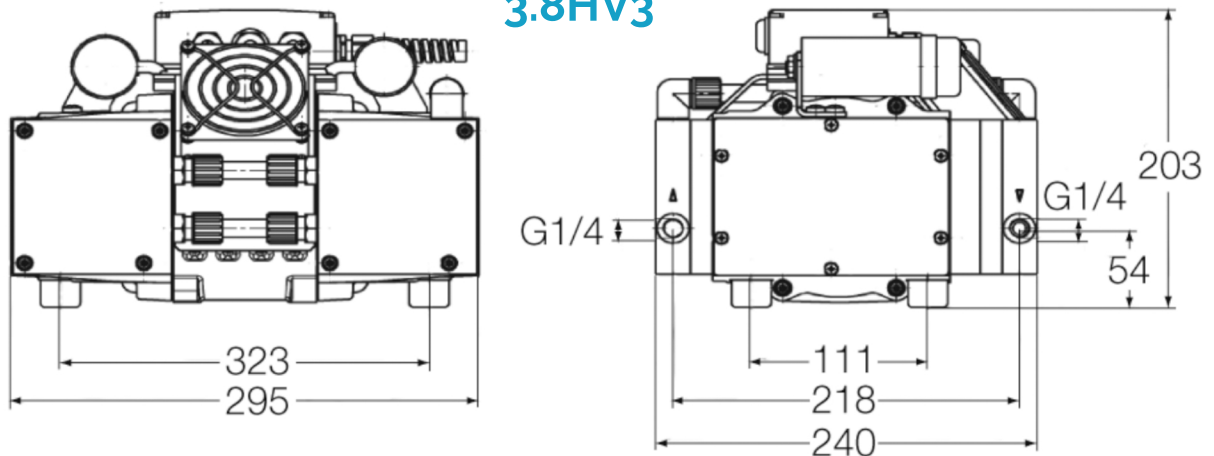


Dimensions

1.4HV3



3.8HV3





PROVAC

SALES

PHONE: 831-462-8900

FAX: 831-462-3536

WWW.PROVAC.COM

Leybold Divac 1.4HV3, 3.8HV3 Features & Benefits

- newly developed automatic drying system
- used in applications where very moist/wet gas needs to be pumped over extended periods of time
- constant pumping speed
- basically corrosion & solvent resistant
- dry compressing, oil-free
- very high water vapor tolerance
- low maintenance costs & long service intervals
- low noise operation
- portable, compact, small footprint
- can be operated in any orientation
- overheat protection via thermofuse

Applications

- backing pumps for turbos • mass spectrometry • medical technology
- analytical technology • rough & medium vacuum range applications
- lab applications with corrosive media