



# Leybold Divac 1.4HV3C

## Technical Specifications

### DIVAC 1.4 HV3C

Max. pumping speed	m <sup>3</sup> /h <sup>1</sup> (cfm)	1.3 (0.77)
Ultimate pressure	mbar (Torr)	≤ 2.0 (≤ 1.5)
Max. exhaust back pressure (absolute)	mbar (Torr)	1500 (1125)
Pump heads		3
Connection		
Inlet (suction side)	DN	Hose nozzle ID 10
Exhaust (delivery side)	DN	Hose nozzle ID 10
Thread (suction and delivery side)	G	G 1/8"
Noise level acc. to DIN 45 635 Part 13, approx.	dB(A)	48
Permissible gas admission temperature, max.	°C (°F)	+5 to +40 (+41 to +104)
Permissible ambient temperature, max.	°C (°F)	+5 to +40 (+41 to +104)
Voltage / nominal frequency	V / Hz	90 – 230 / 50 – 60
Protective class	IP	20
Motor power <sup>1)</sup>	W	135
at ultimate pressure	W	35
Current consumption <sup>1)</sup>	A	1.3
Motor speed	min <sup>-1</sup>	700 to 1600
Dimensions (W <sup>1)</sup> x H <sup>1)</sup> x D), approx	mm (in.)	324 x 158 x 226 (12.76 x 6.22 x 8.90)
Weight, approx.	kg (lbs)	8.6 (18.99)
Material		
Pump head		PPS
Structured diaphragm		PTFE coated
Valves		FFPM
Nozzles		PVDF



# PROVAC

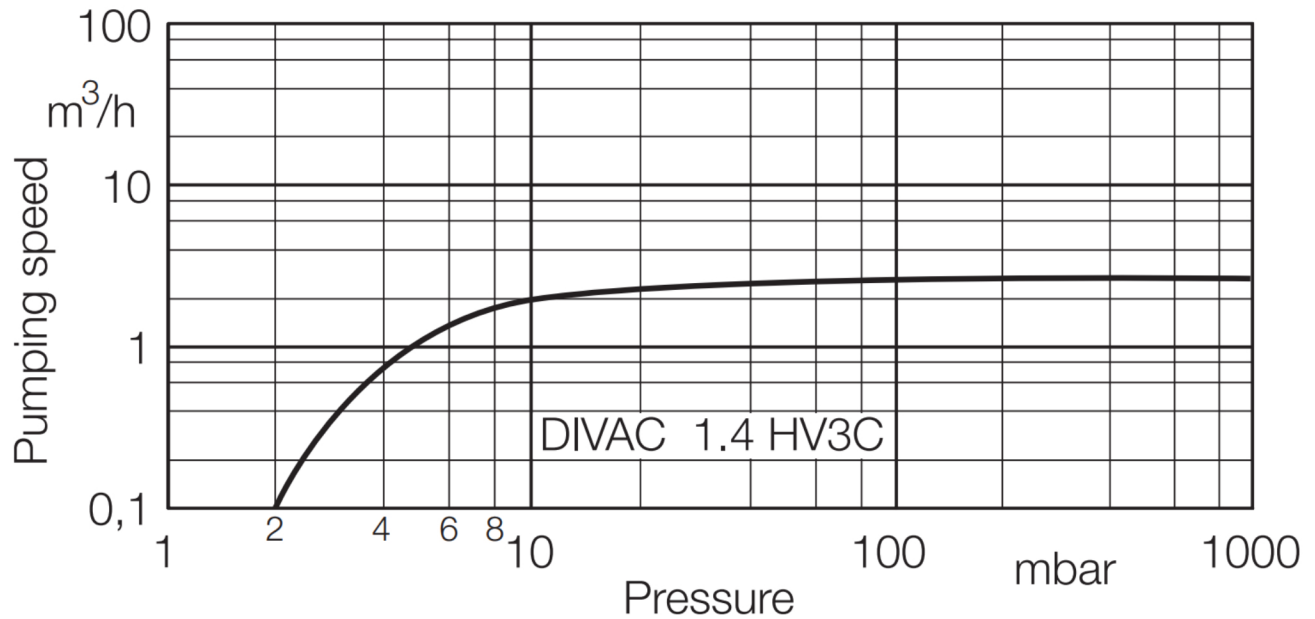
## SALES

PHONE: 831-462-8900

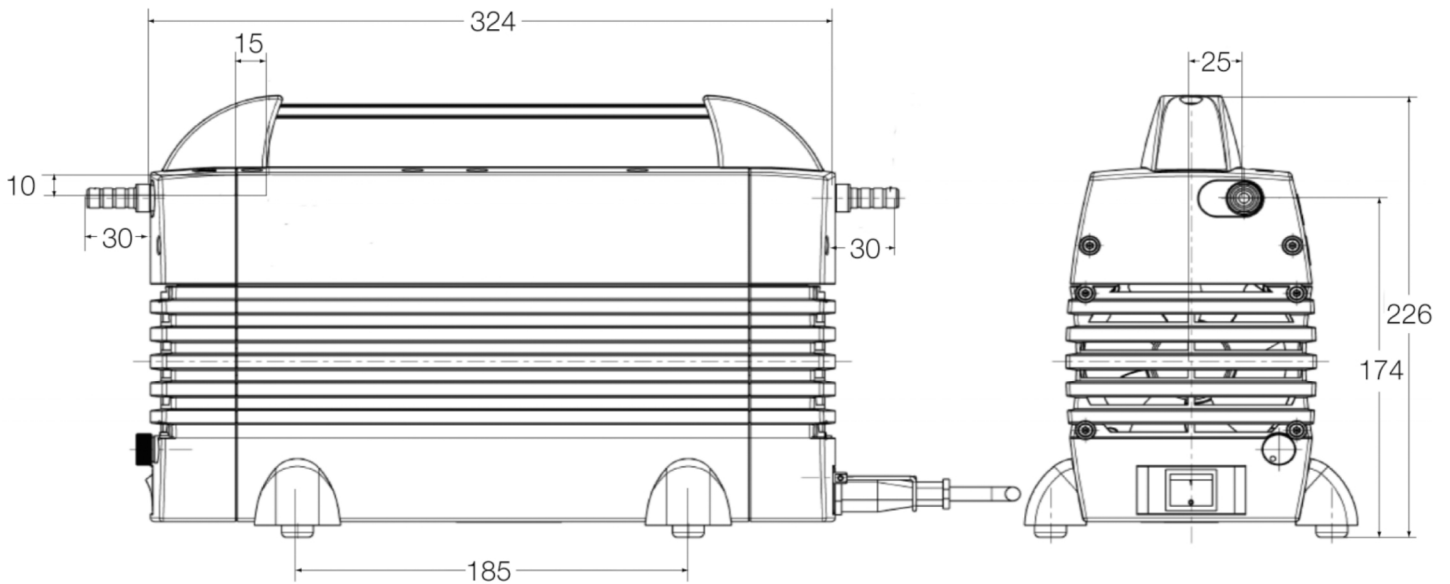
FAX: 831-462-3536

WWW.PROVAC.COM

## Leybold Divac 1.4HV3C Pumping Curves



## Dimensions





# PROVAC

## SALES

PHONE: 831-462-8900

FAX: 831-462-3536

WWW.PROVAC.COM

---

## Leybold Divac 1.4HV3C Features & Benefits

- newly developed automatic drying system
- used in applications where very moist/wet gas needs to be pumped over extended periods of time
- constant pumping speed
- basically corrosion & solvent resistant
- dry compressing, oil-free
- very high water vapor tolerance
- low maintenance costs & long service intervals
- low noise operation
- portable, compact, small footprint
- can be operated in any orientation
- overheat protection via thermofuse

## Applications

- evacuating small devices • sublimation • analysis preparation • filtration
- distillation • drying cabinet • rotary evaporator • backing pumps for turbos • mass spectrometry • medical technology • analytical technology • rough & medium vacuum range applications