



Leybold Divac 0.8T, Divac 0.8 LT

Technical Specifications

		0.8 T	DIVAC	0.8 LT
Max. pumping speed (atm.)	m ³ /h (cfm)	0.77 (0.45)		0.77 (0.45)
Ultimate pressure (absolute)	mbar (Torr)	≤ 3.0 (≤ 2.25)		≤ 0.5 (≤ 0.38)
Max. exhaust back pressure (absolute)	mbar (Torr)	2000 (1500)		2000 (1500)
Pump heads		2		4
Connection				
Inlet (suction side)	DN	16 KF		16 KF
Exhaust (delivery side)	DN	Silencer		Silencer
Thread (suction and delivery side)		G 1/8"		G 1/8"
Noise level acc. to DIN 45 635 Part 13, approx.	dB(A)	49		53
Permissible gas admission temperature	°C (°F)	+5 to +40 (+41 to +104)		+5 to +40 (+41 to +104)
Permissible ambient temperature	°C (°F)	+5 to +40 (+41 to +104)		+5 to +40 (+41 to +104)
Voltage / nominal frequency (1-ph. motor)				
Schuko plug	V / Hz	198-264 / 50/60		230 / 50 ± 10%
NEMA plug	V / Hz	90-127 / 50/60		115 / 60 ± 10%
Protective class	IP	44		44
Motor power	W	50		80
Current consumption	A	0.4		0.5
Nominal speed, approx. (50/60 Hz)	min ⁻¹	1500/1800		1500/1800
Dimensions (W x H x D), approx.	mm (in.)	285 x 150 x 150 (11.22 x 5.9 x 5.9)		332 x 150 x 150 (13.07 x 5.9 x 5.9)
Weight, approx.	kg (lbs)	5.9 (13.02)		7.5 (16.56)
Material				
Diaphragm		Neoprene		Neoprene
Valves		EPDM		EPDM
Pump head		Aluminum		Aluminum





PROVAC

SALES

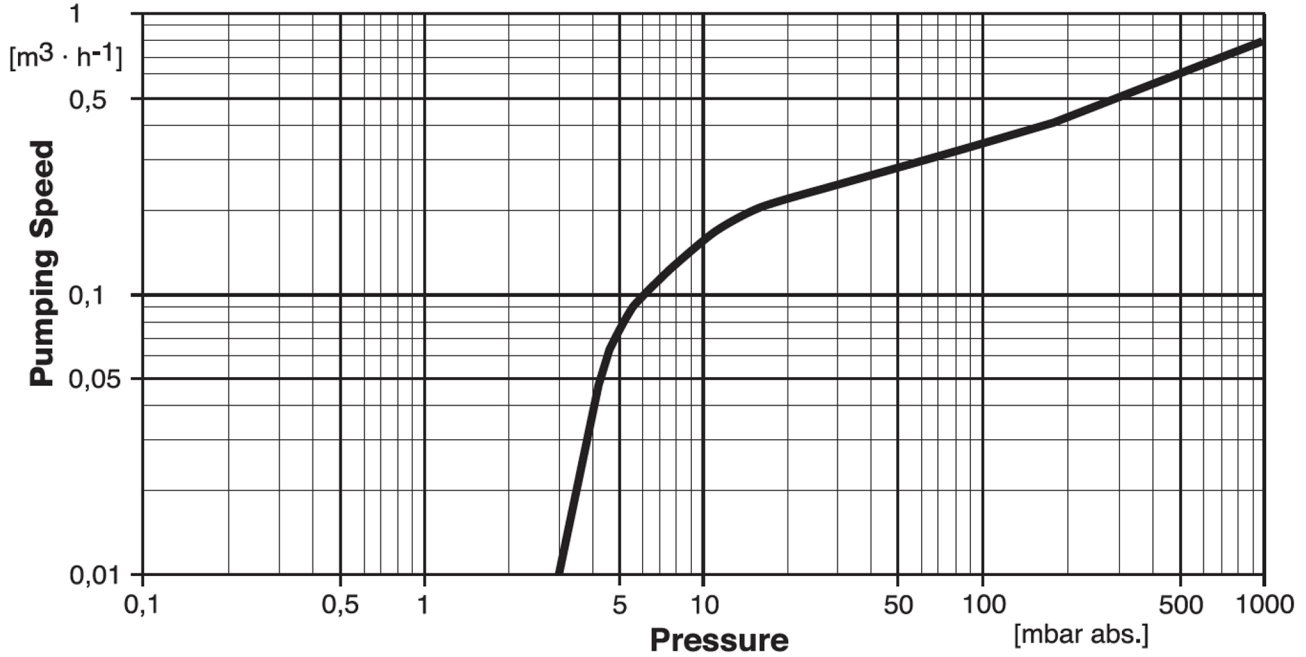
PHONE: 831-462-8900

FAX: 831-462-3536

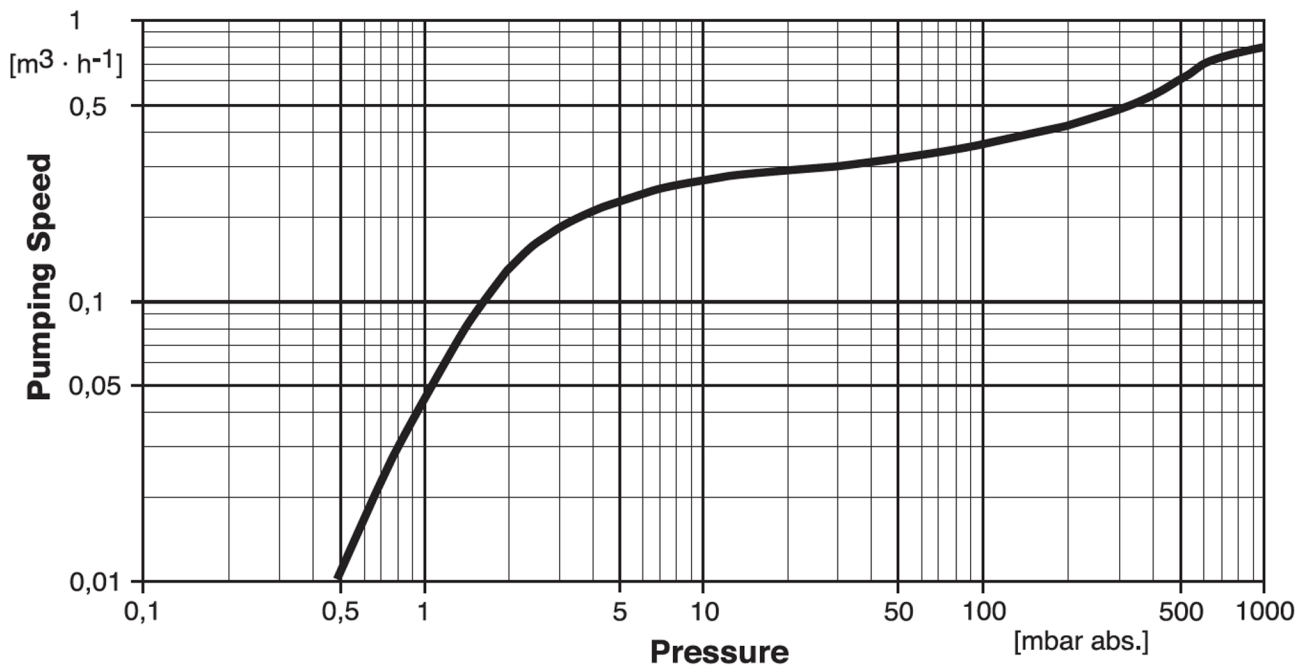
WWW.PROVAC.COM

Leybold Divac 0.8T, Divac 0.8 LT Pumping Curves

Divac 0.8T



Divac 0.8LT





PROVAC

SALES

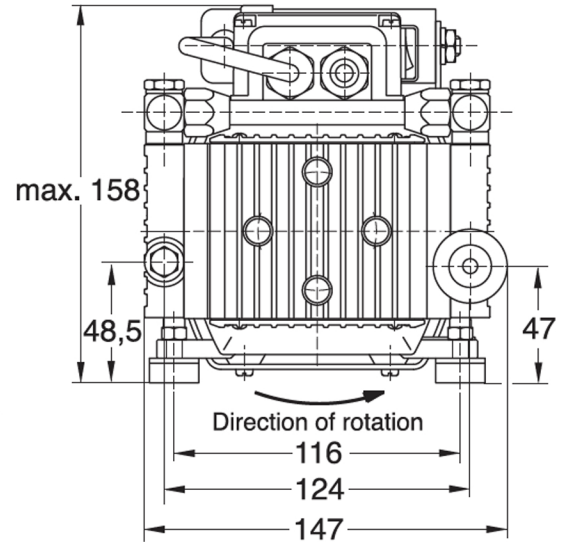
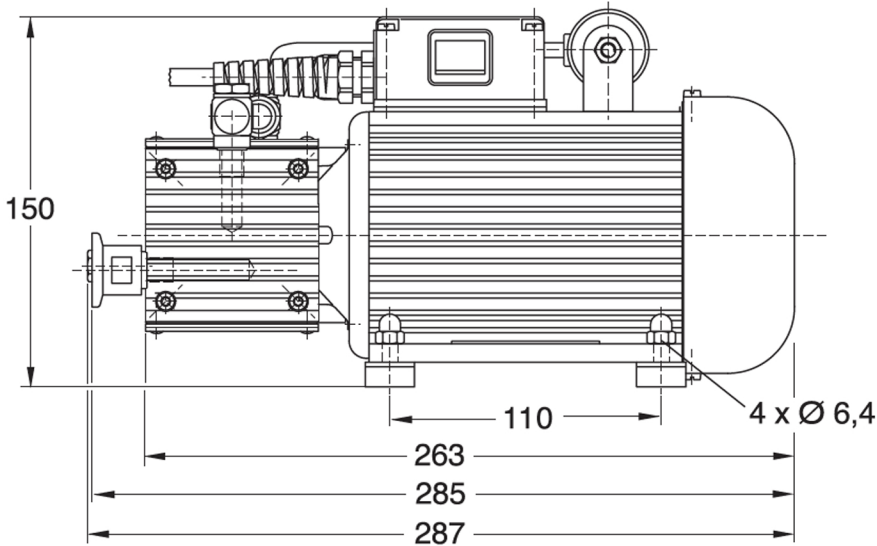
PHONE: 831-462-8900

FAX: 831-462-3536

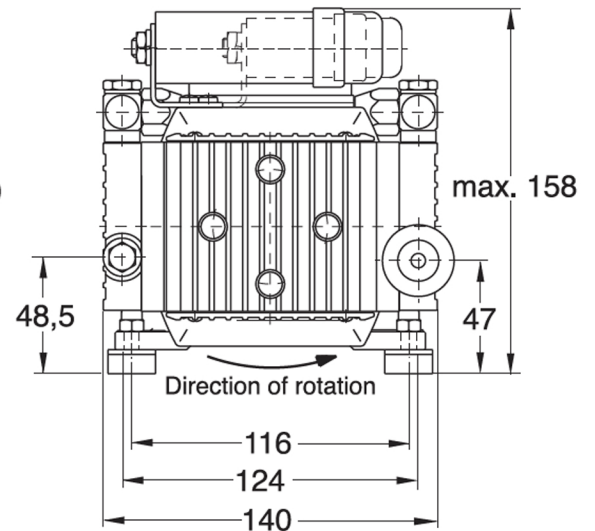
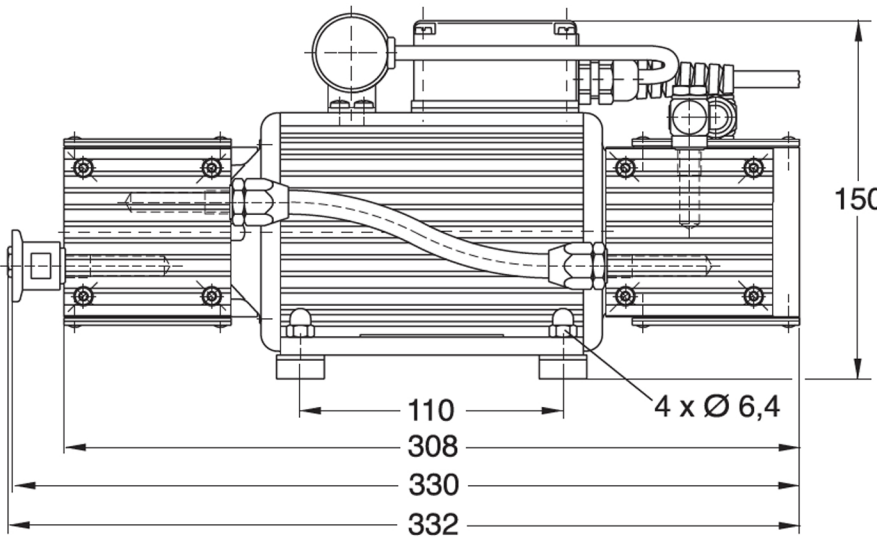
WWW.PROVAC.COM

Leybold Divac 0.8T, Divac 0.8 LT Dimensions

Divac 0.8T



Divac 0.8LT





PROVAC

SALES

PHONE: 831-462-8900

FAX: 831-462-3536

WWW.PROVAC.COM

Leybold Divac 0.8T, Divac 0.8 LT Features & Benefits

- dry compressing, oil-free
- water vapor tolerance
- low noise operation
- portable, compact, small footprint
- can be operated in any orientation
- overheat protection by means of thermal fuse
- low maintenance costs & long service intervals

Divac L

- suited for almost all requirements in chemistry lab
- basically corrosion & solvent resistant

Divac T

- specifically developed as backing pumps for wide range of turbos
- may be used in free-standing & integrated in applications

Applications

- mass spectrometry • medical technology • analytical technology
- backing pumps for wide pressure range of turbo pumps • general applications in rough & medium vacuum range