



PROVAC

SALES

PHONE: 831-462-8900

FAX: 831-462-3536

WWW.PROVAC.COM

Edwards Diffstak 63/150M, P

Technical Specifications

M – model pumps have a manually operated high vacuum isolation valve.

P – model pumps have a pneumatically actuated high vacuum isolation valve.

Pumping speed

nitrogen 135 l s^{-1}

hydrogen 200 l s^{-1}

Minimum backing pump displacement* $5 \text{ m}^3\text{h}^{-1}$

Recommended backing pump RV5

Recommended fluid Santovac[®] 5

Fluid charge (dry) 60 ml

Inlet connection compatible with ISO63

Backing connection NW10

Cooling water connection 6 mm compression fittings

Heater power 0.45 kW

Minimum cooling-water flow at 20 °C 42 l h^{-1}

Pneumatic connections[†] 6 mm coupling x 1/4 BSP male stud

Pneumatic actuating pressure[†]

Minimum 2.4 bar / 35 psi

Maximum 6.9 bar / 100 psi

Weight

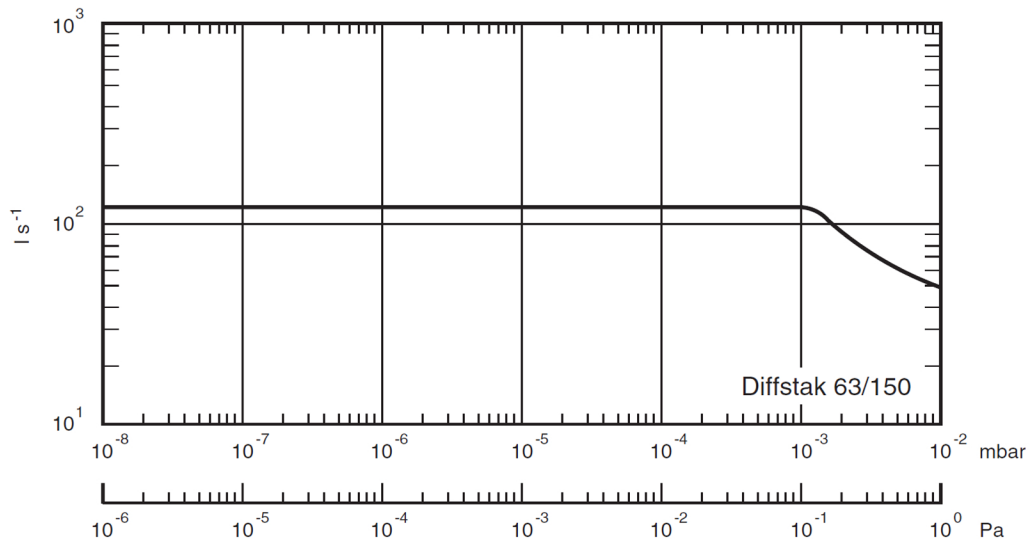
63/150M 8 kg

63/150P 9 kg

* For maximum throughput. For applications where maximum throughput is not required, use an RV3.

† 63/150P only

Pumping Curves





PROVAC

SALES

PHONE: 831-462-8900

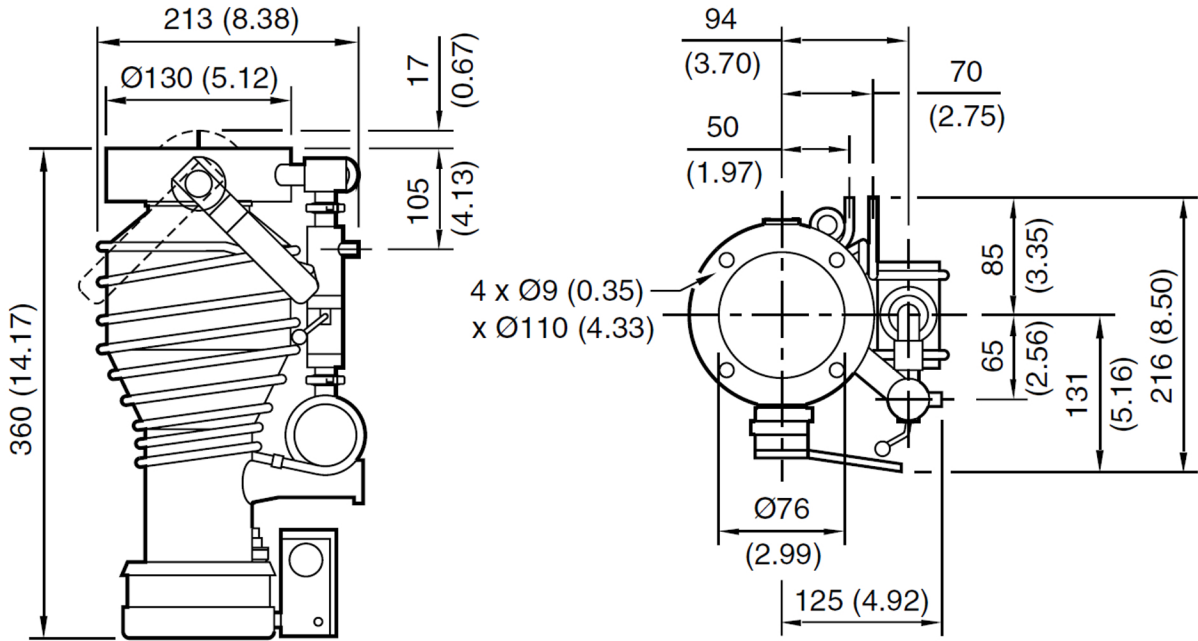
FAX: 831-462-3536

WWW.PROVAC.COM

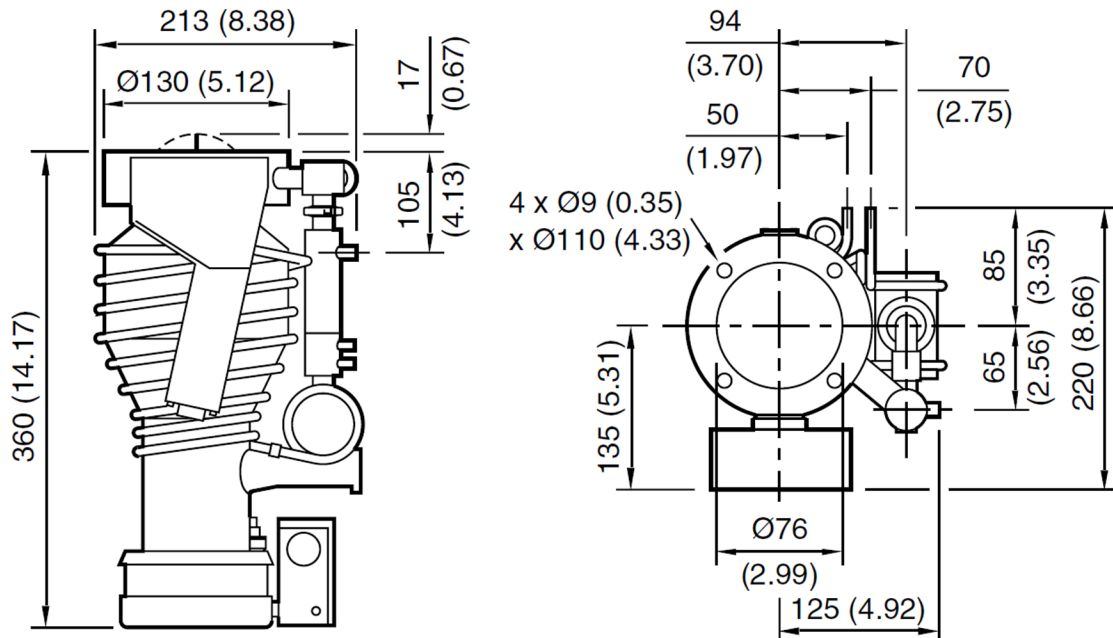
Edwards Diffstak 63/150M, P

Dimensions

63/150M



63/150P





PROVAC

SALES

PHONE: 831-462-8900

FAX: 831-462-3536

WWW.PROVAC.COM

Edwards Diffstak 63/150M, P Features & Benefits

- integral high vacuum valves & water-cooled baffles
- offers exceptionally clean pumping with very low backstreaming, reduced outgassing, & a reduction in the number of elastomer seals required for installation

Applications

- mass spectrometry • gas analysis • leak detection • thin film coating
- high vacuum systems • lamp evacuation • surface physics • small vacuum ovens • vacuum isolation/cryo transfer

