



PROVAC

SALES

PHONE: 831-462-8900

FAX: 831-462-3536

WWW.PROVAC.COM

Edwards Diffstak 63/150C

Technical Specifications

C – model pumps have an unvalved ISO collar inlet flange.

Pumping speed

nitrogen

150 l s⁻¹

hydrogen

225 l s⁻¹

Minimum backing pump displacement*

5 m³h⁻¹

Recommended backing pump

RV5

Recommended fluid

Santovac[®] 5

Fluid charge (dry)

60 ml

Inlet connection

ISO63

Backing connection

NW10

Cooling water connection

6 mm compression fittings

Minimum cooling-water flow at 20 °C

42 l h⁻¹

Heater power

0.45 kW

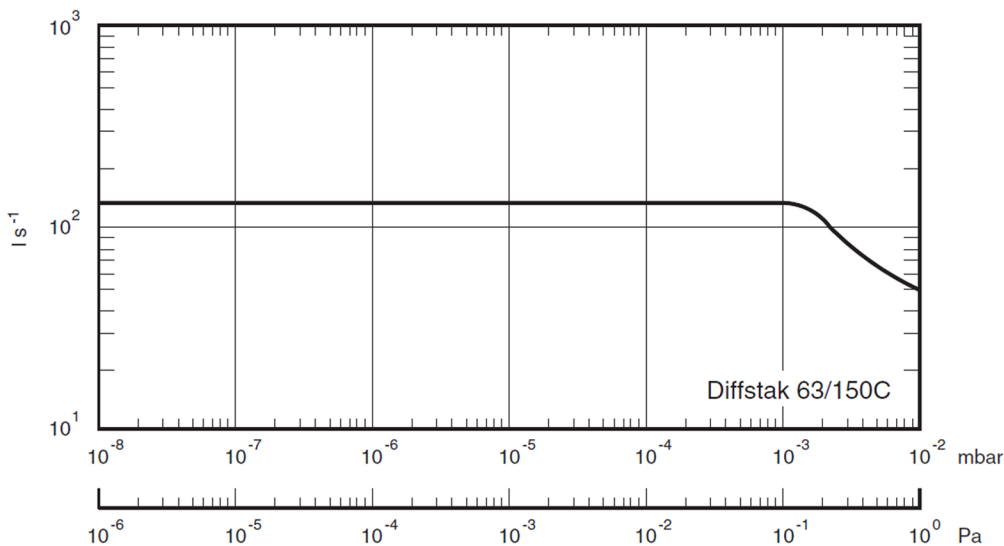
Weight

5 kg

* For maximum throughput.



Pumping Curves





PROVAC

SALES

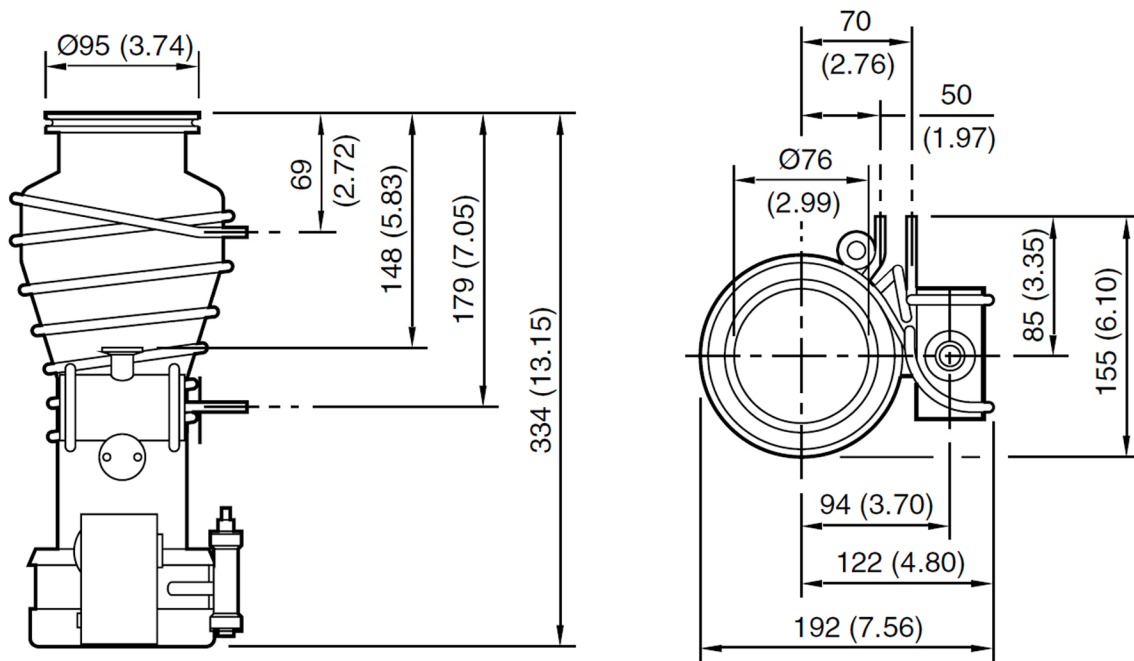
PHONE: 831-462-8900

FAX: 831-462-3536

WWW.PROVAC.COM

Edwards Diffstak 63/150C

Dimensions



Features & Benefits

- integral high vacuum valves & water-cooled baffles
- offers exceptionally clean pumping with very low backstreaming, reduced outgassing, & a reduction in the number of elastomer seals required for installation

Applications

- mass spectrometry • gas analysis • leak detection • thin film coating
- high vacuum systems • lamp evacuation • surface physics • small vacuum ovens • vacuum isolation/cryo transfer