



Edwards Diffstak 250/2000M, P

Technical Specifications

M – model pumps have a manually operated high vacuum isolation valve.

P – model pumps have a pneumatically actuated high vacuum isolation valve.

Pumping speed

nitrogen 2000 l s⁻¹

hydrogen 3000 l s⁻¹

Minimum backing pump displacement* 40 m³h⁻¹

Recommended backing pump E2M40

Recommended fluid Santovac® 5

Fluid charge (dry) 500 ml

Inlet connection compatible with ISO250

Backing connection NW40

Cooling water connection 10 mm compression fittings

Heater power 2.25 kW

Minimum cooling-water flow at 20 °C 180 l h⁻¹

Pneumatic connections† 6 mm coupling x ¼ BSP male stud

Pneumatic actuating pressure†

Minimum 2.4 bar / 35 psi

Maximum 6.9 bar / 100 psi

Weight

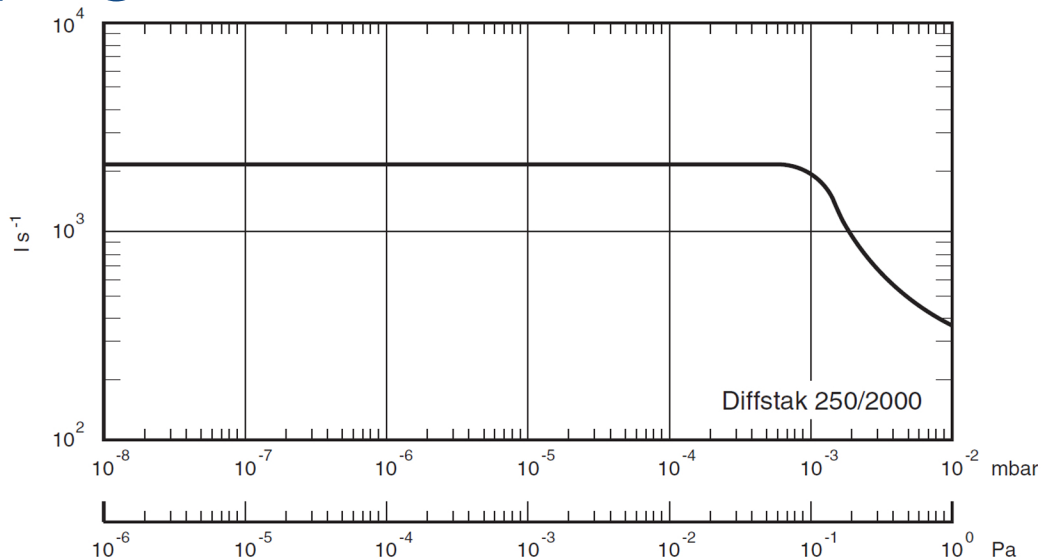
250/2000M 59 kg

250/2000P 60 kg

* For maximum throughput.

† 250/2000P only

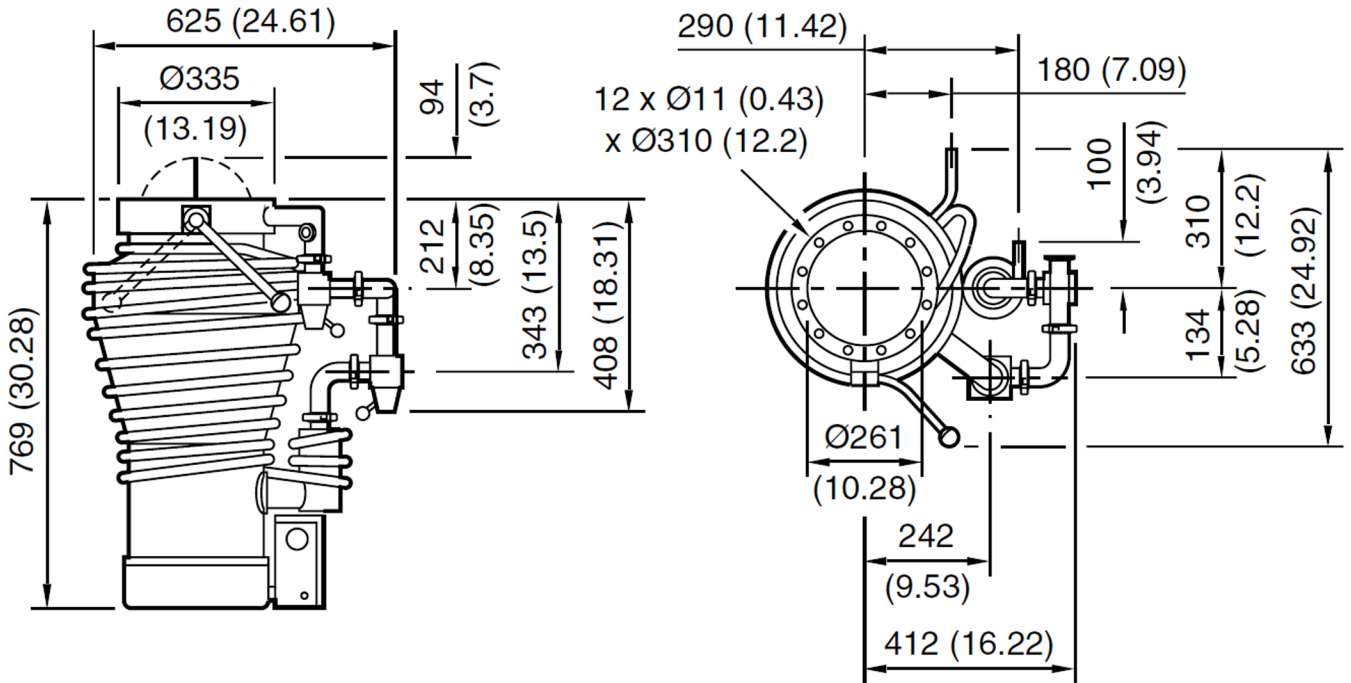
Pumping Curves



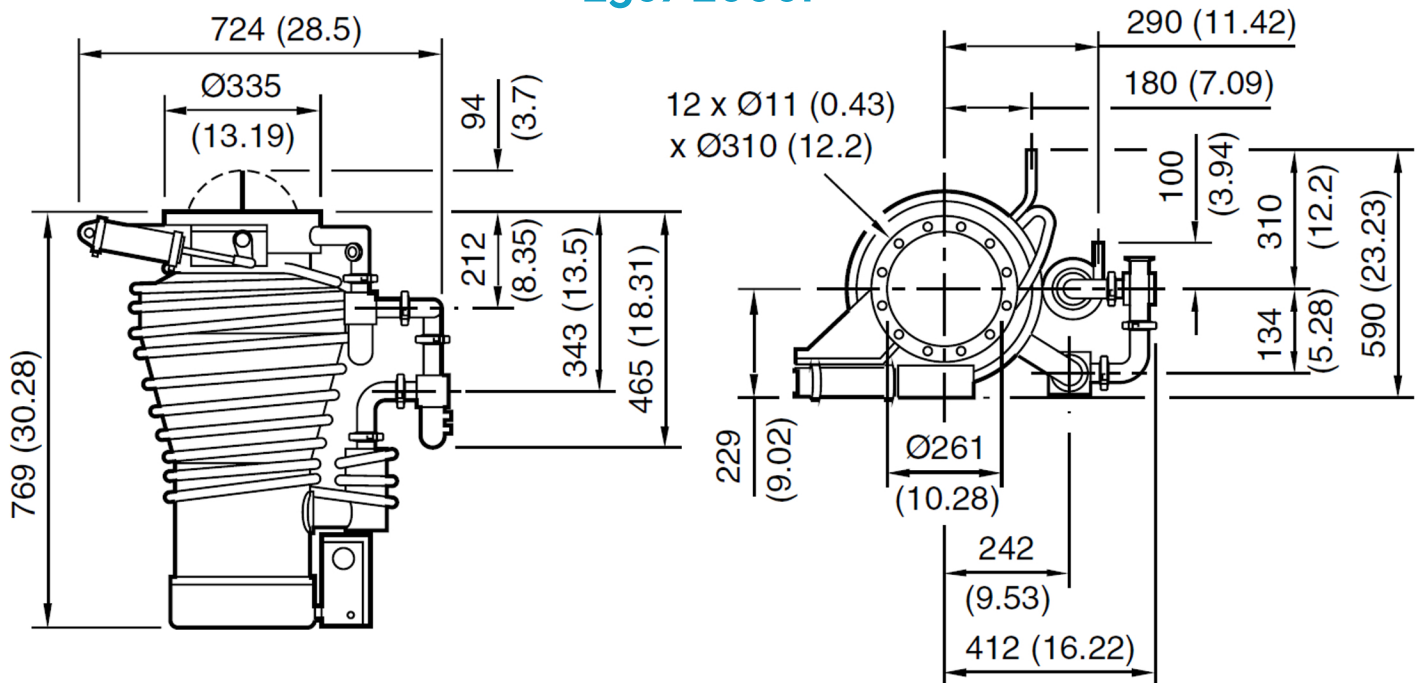


Edwards Diffstak 250/2000M, P Dimensions

250/2000M



250/2000P





PROVAC

SALES

PHONE: 831-462-8900

FAX: 831-462-3536

WWW.PROVAC.COM

Edwards Diffstak 250/2000M, P Features & Benefits

- integral high vacuum valves & water-cooled baffles
- offers exceptionally clean pumping with very low backstreaming, reduced outgassing, & a reduction in the number of elastomer seals required for installation

Applications

- mass spectrometry • gas analysis • leak detection • thin film coating
- high vacuum systems • lamp evacuation • surface physics • small vacuum ovens • vacuum isolation/cryo transfer

