



Edwards Diffstak 250/2000C

Technical Specifications

C – model pumps have an unvalved ISO collar inlet flange.

Pumping speed

nitrogen

2130 l s⁻¹

hydrogen

3200 l s⁻¹

Minimum backing pump displacement*

40 m³h⁻¹

Recommended backing pump

E2M40

Recommended fluid

Santovac[®] 5

Fluid charge (dry)

500 ml

Inlet connection

ISO250

Backing connection

NW40

Cooling water connection

10 mm compression fittings

Minimum cooling-water flow at 20 °C

180 l h⁻¹

Heater power

2.25 kW

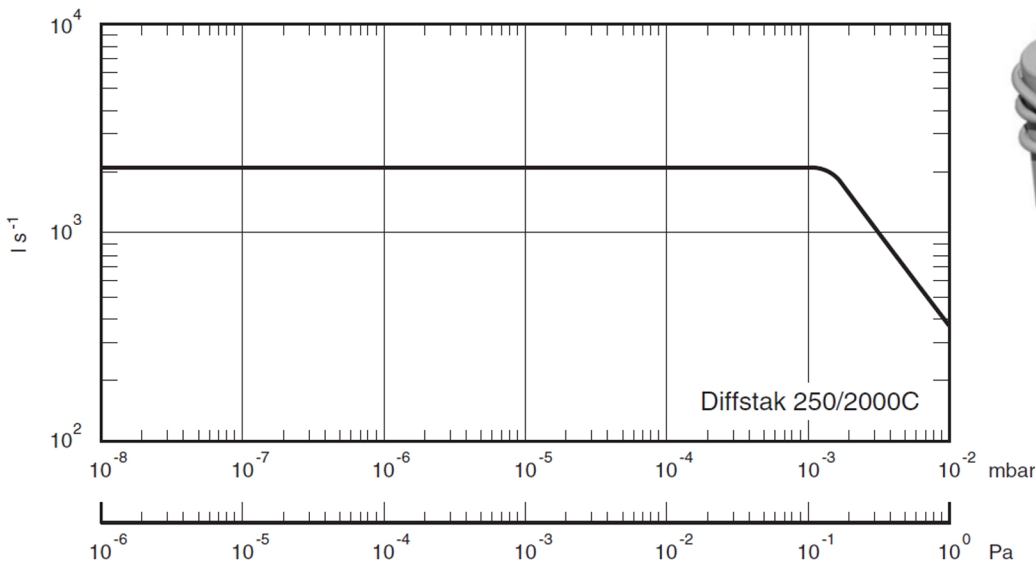
Weight

46 kg

* For maximum throughput



Pumping Curves





PROVAC

SALES

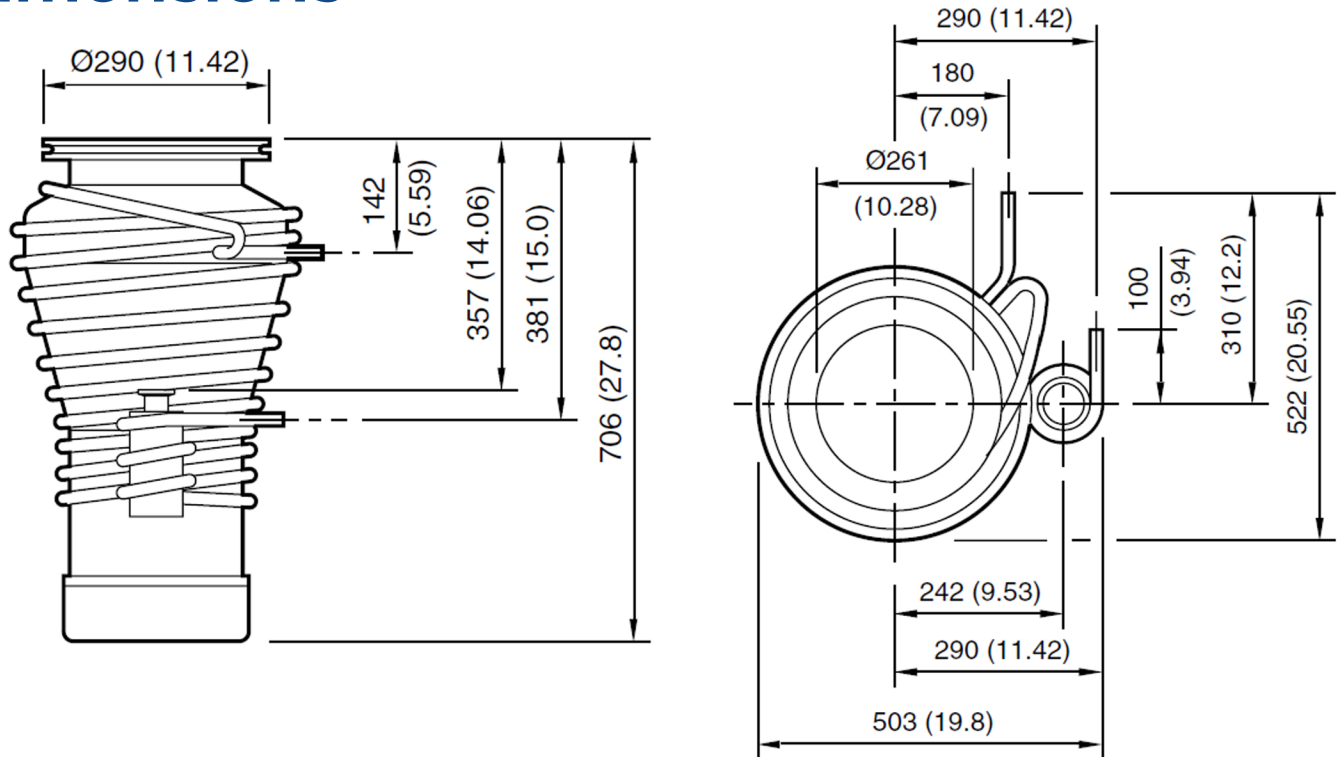
PHONE: 831-462-8900

FAX: 831-462-3536

WWW.PROVAC.COM

Edwards Diffstak 250/2000C

Dimensions



Features & Benefits

- integral high vacuum valves & water-cooled baffles
- offers exceptionally clean pumping with very low backstreaming, reduced outgassing, & a reduction in the number of elastomer seals required for installation

Applications

- mass spectrometry • gas analysis • leak detection • thin film coating
- high vacuum systems • lamp evacuation • surface physics • small vacuum ovens • vacuum isolation/cryo transfer