



# Edwards Diffstak 160/700M, P

## Technical Specifications

M – model pumps have a manually operated high vacuum isolation valve.

P – model pumps have a pneumatically actuated high vacuum isolation valve.

Pumping speed

nitrogen 700 l s<sup>-1</sup>

hydrogen 1300 l s<sup>-1</sup>

Minimum backing pump displacement\* 12 m<sup>3</sup>h<sup>-1</sup>

Recommended backing pump RV12 or E2M18

Recommended fluid Santovac<sup>®</sup> 5

Fluid charge (dry) 255 ml

Inlet connection compatible with ISO160

Backing connection NW25

Cooling water connection 10 mm compression fittings

Heater power 1.35 kW

Minimum cooling-water flow at 20 °C 115 l h<sup>-1</sup>

Pneumatic connections<sup>†</sup> 6 mm coupling x ¼ BSP male stud

Pneumatic actuating pressure<sup>†</sup>

Minimum 2.4 bar / 35 psi

Maximum 6.9 bar / 100 psi

Weight

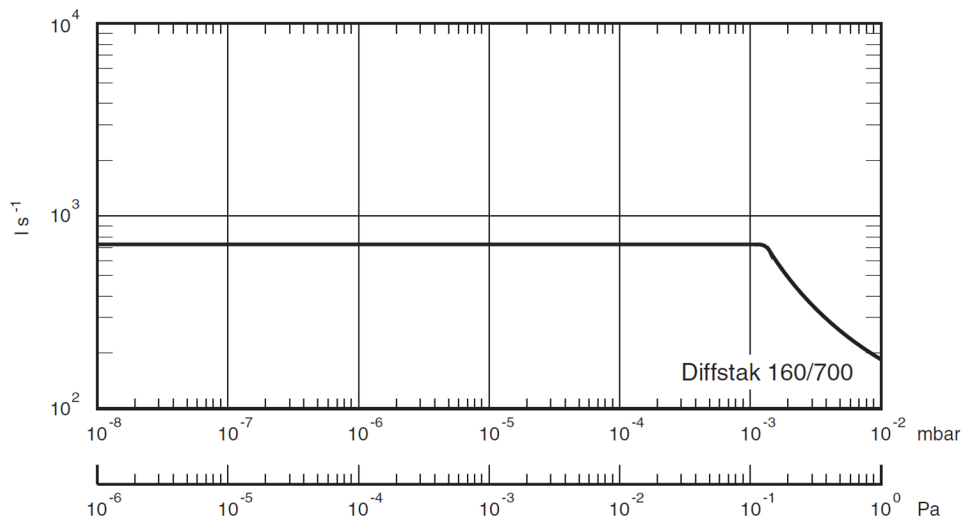
160/700M 26 kg

160/700P 27 kg

\* For maximum throughput

† 160/700P only

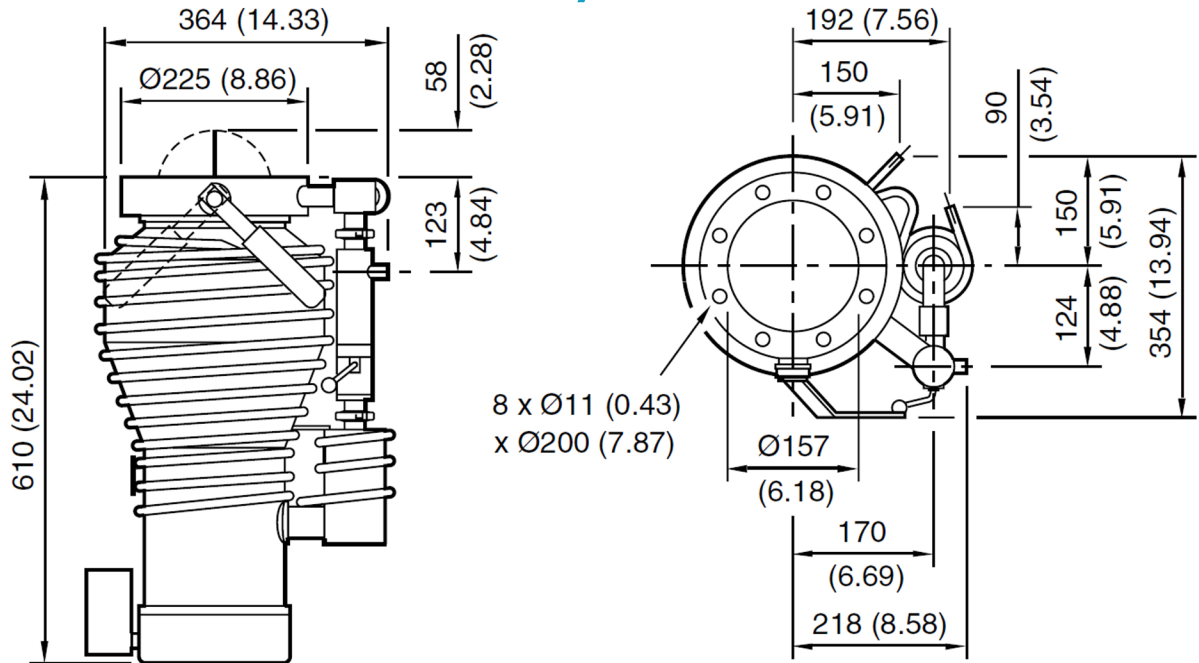
## Pumping Curves



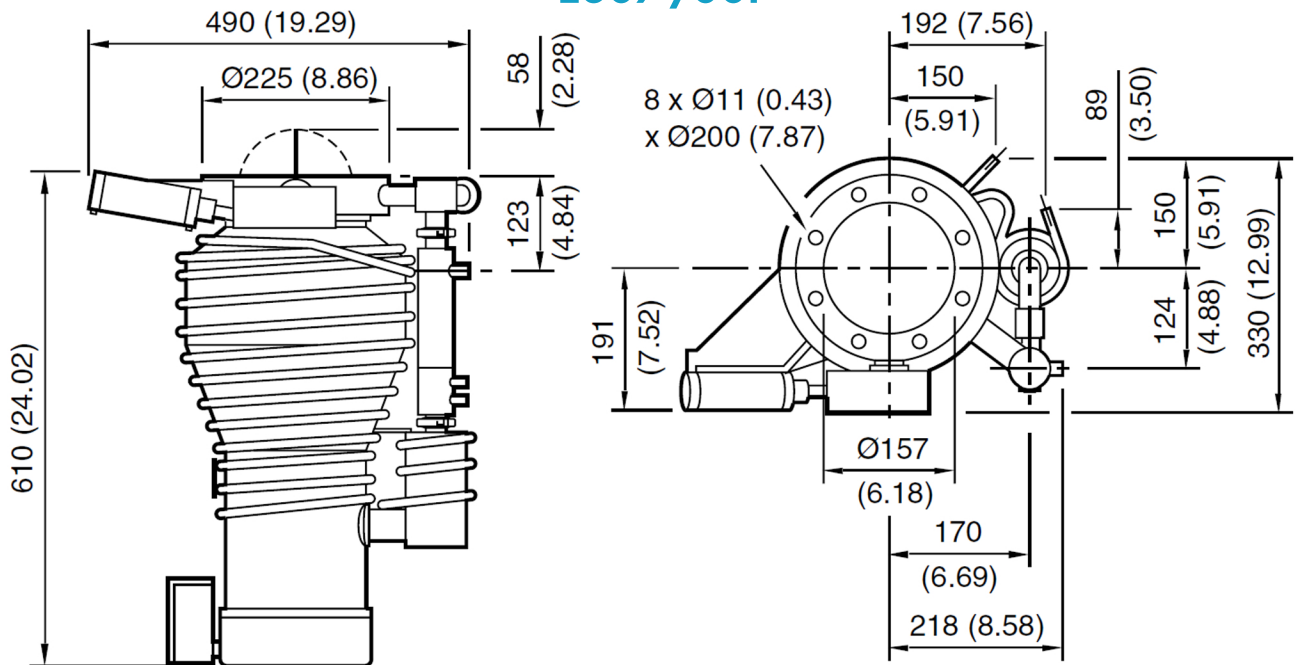


## Edwards Diffstak 160/700M, P Dimensions

### 160/700M



### 160/700P





# PROVAC

SALES

PHONE: 831-462-8900

FAX: 831-462-3536

WWW.PROVAC.COM

## Edwards Diffstak 160/700M, P Features & Benefits

- integral high vacuum valves & water-cooled baffles
- offers exceptionally clean pumping with very low backstreaming, reduced outgassing, & a reduction in the number of elastomer seals required for installation

## Applications

- mass spectrometry • gas analysis • leak detection • thin film coating
- high vacuum systems • lamp evacuation • surface physics • small vacuum ovens • vacuum isolation/cryo transfer

