



PROVAC

SALES

PHONE: 831-462-8900

FAX: 831-462-3536

WWW.PROVAC.COM

Edwards Diffstak 160/700C

Technical Specifications

C – model pumps have an unvalved ISO collar inlet flange.

F – model pumps are unvalved and have a copper compression gasket flange (ConFlat®).

Pumping speed

nitrogen

760 l s⁻¹

hydrogen

1410 l s⁻¹

Minimum backing pump displacement*

12 m³h⁻¹

Recommended backing pump

RV12 or E2M18

Recommended fluid

Santovac® 5

Fluid charge (dry)

250 ml

Inlet connection

160/700C

ISO160

160/700F

8 inch

Backing connection

NW25

Cooling water connection

10 mm compression fittings

Minimum cooling-water flow at 20 °C

115 l h⁻¹

Heater power

1.35 kW

Weight

160/700C

18 kg

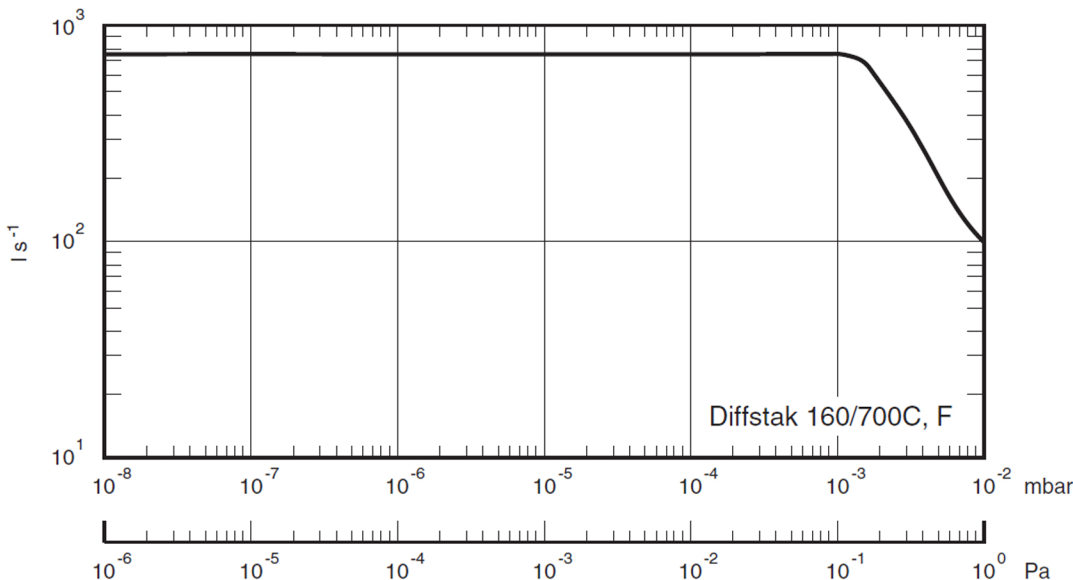
160/700F

20 kg

* For maximum throughput



Pumping Curves





PROVAC

SALES

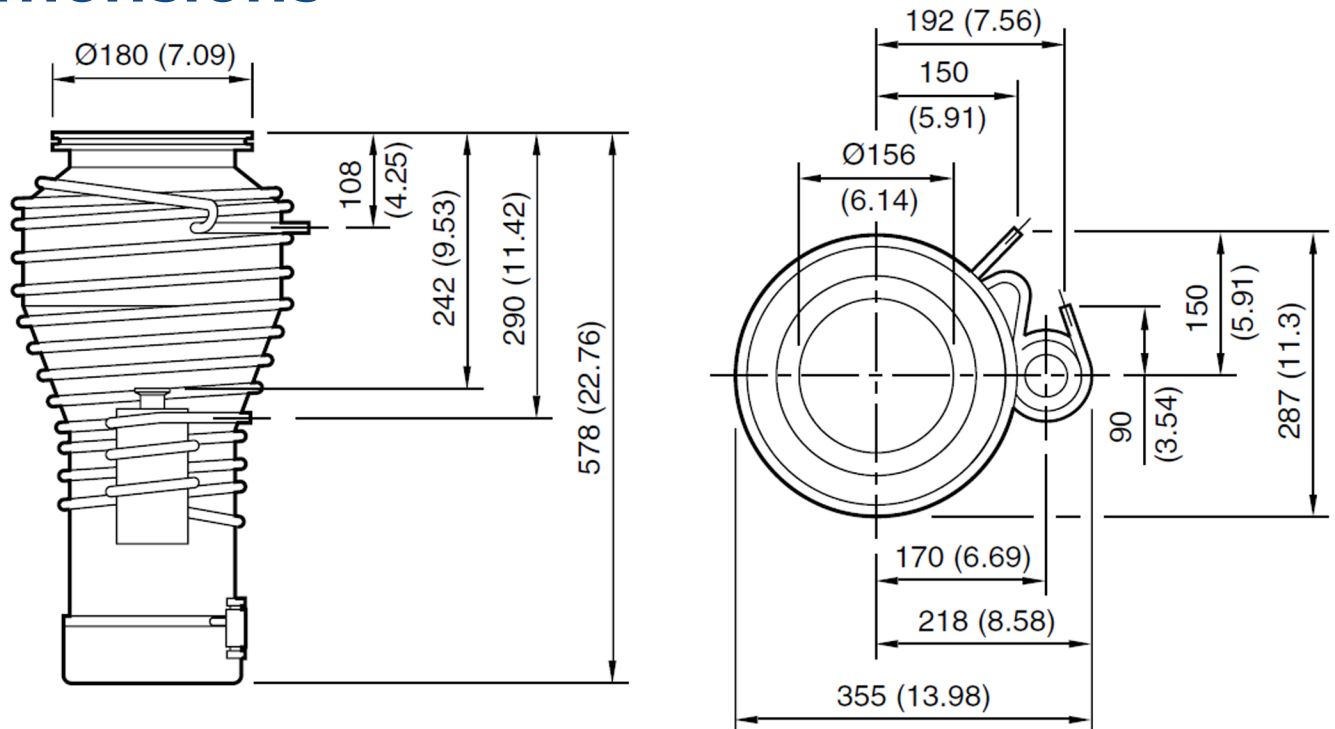
PHONE: 831-462-8900

FAX: 831-462-3536

WWW.PROVAC.COM

Edwards Diffstak 160/700C

Dimensions



Features & Benefits

- integral high vacuum valves & water-cooled baffles
- offers exceptionally clean pumping with very low backstreaming, reduced outgassing, & a reduction in the number of elastomer seals required for installation

Applications

- mass spectrometry • gas analysis • leak detection • thin film coating
- high vacuum systems • lamp evacuation • surface physics • small vacuum ovens • vacuum isolation/cryo transfer