



PROVAC

SALES

PHONE: 831-462-8900

FAX: 831-462-3536

WWW.PROVAC.COM

Edwards Diffstak 100/300M, P

Technical Specifications

M – model pumps have a manually operated high vacuum isolation valve.
P – model pumps have a pneumatically actuated high vacuum isolation valve.

Pumping speed

nitrogen 280 l s⁻¹

hydrogen 500 l s⁻¹

Minimum backing pump displacement* 5 m³h⁻¹

Recommended backing pump RV5 or RV8

Recommended fluid Santovac® 5

Fluid charge (dry) 125 ml

Inlet connection compatible with ISO100

Backing connection NW25

Cooling water connection 6 mm compression fittings

Heater power 0.65 kW

Minimum cooling-water flow at 20 °C 60 l h⁻¹

Pneumatic connections† 6 mm coupling x ¼ BSP male stud

Pneumatic actuating pressure†

Minimum 2.4 bar / 35 psi

Maximum 6.9 bar / 100 psi

Weight

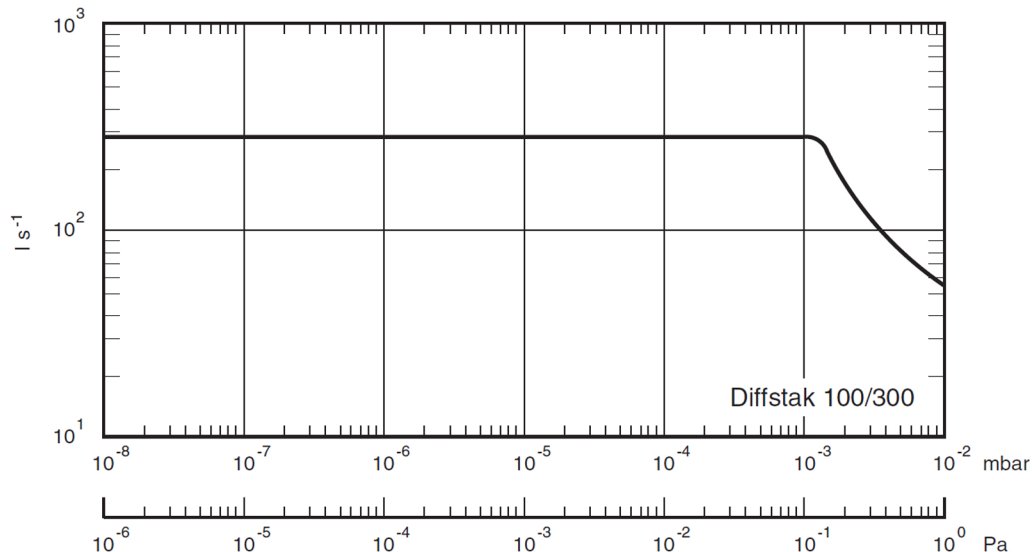
100/300M 12 kg

100/300P 13 kg

* For maximum throughput

† 100/300P only

Pumping Curves





PROVAC

SALES

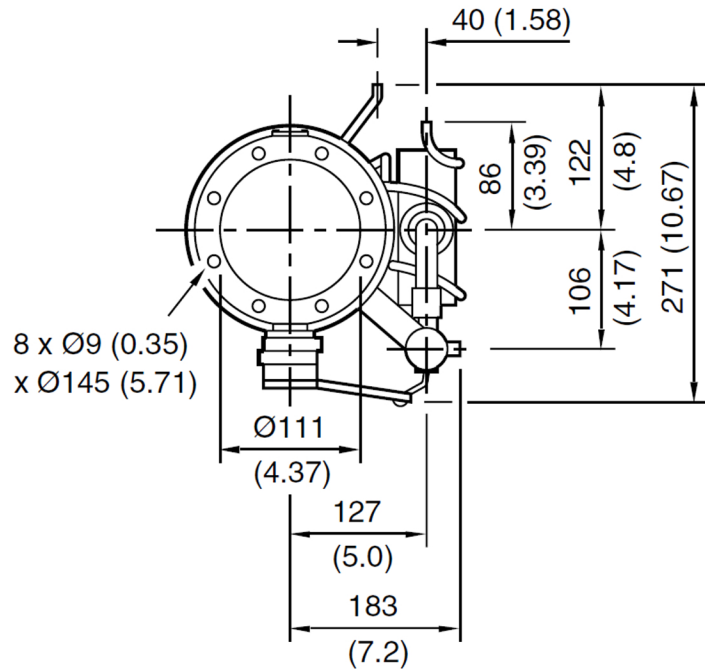
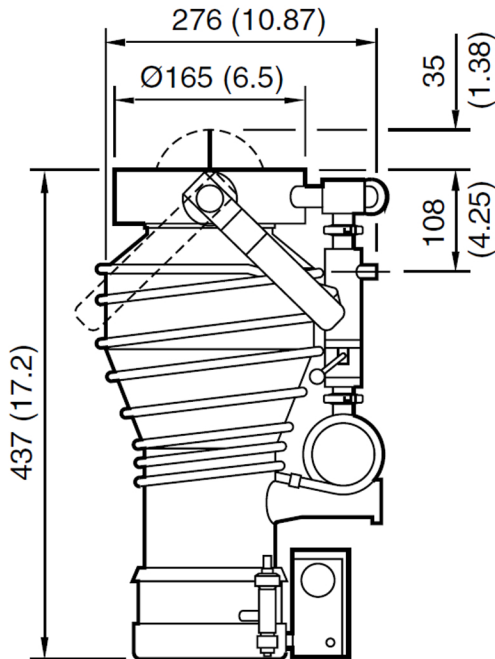
PHONE: 831-462-8900

FAX: 831-462-3536

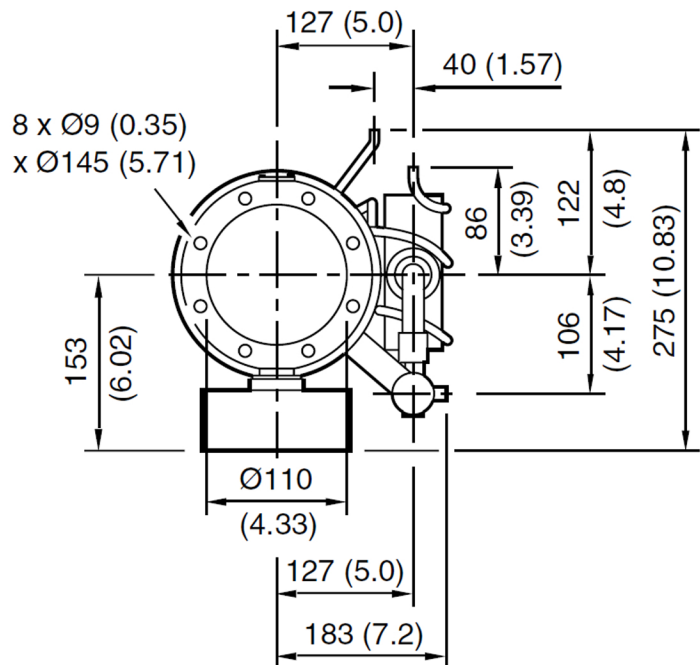
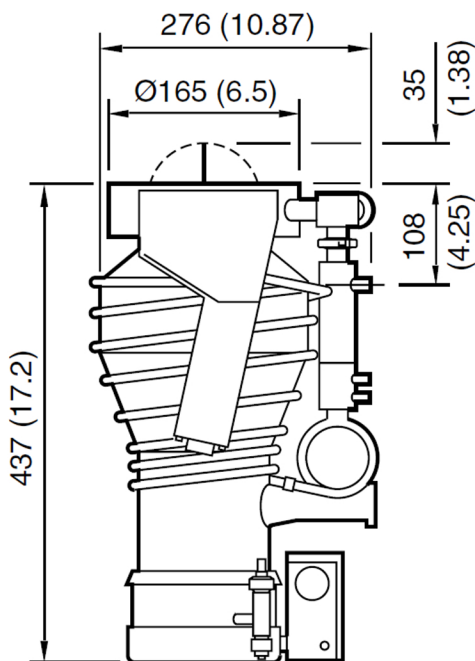
WWW.PROVAC.COM

Edwards Diffstak 100/300M, P Dimensions

100/300M



100/300P





PROVAC

SALES

PHONE: 831-462-8900

FAX: 831-462-3536

WWW.PROVAC.COM

Edwards Diffstak 100/300M, P Features & Benefits

- integral high vacuum valves & water-cooled baffles
- offers exceptionally clean pumping with very low backstreaming, reduced outgassing, & a reduction in the number of elastomer seals required for installation

Applications

- mass spectrometry • gas analysis • leak detection • thin film coating
- high vacuum systems • lamp evacuation • surface physics • small vacuum ovens • vacuum isolation/cryo transfer

