



PROVAC

SALES





PHONE: 831-462-8900

FAX: 831-462-3536

WWW.PROVAC.COM

Anest Iwata DVSL-500E, 501E 501E-HC

Technical Specifications

Model			DVSL-500E	DVSL-501E	DVSL-501E-HC
Pumping speed	50Hz	L/min (CFM)	433 (15.4)		
	60Hz		516 (18.3)		
Ultimate pressure		Pa (Torr)	30 (2.6×10^{-1})	100 (7.5×10^{-1})	
Motor output		kW	0.9 / 1.1		
Voltage	Single phase	V	-		
	Three phase		200, 220, 230, 380, 400, 415, 460		
Noise level		dB(A)	64		
Ambient temperature		°C (°F)	5 - 40 (41 - 104)		
Weight		kg (lbs)	34 (75)		
Water vapor capacity		g/day	250		
Inlet connection			NW25 with Rc1/2		
Outlet connection			NW25		
Standards			   		

All pumps come standard with air flush attachment
 DVSL-100C comes standard with thermal protection



PROVAC

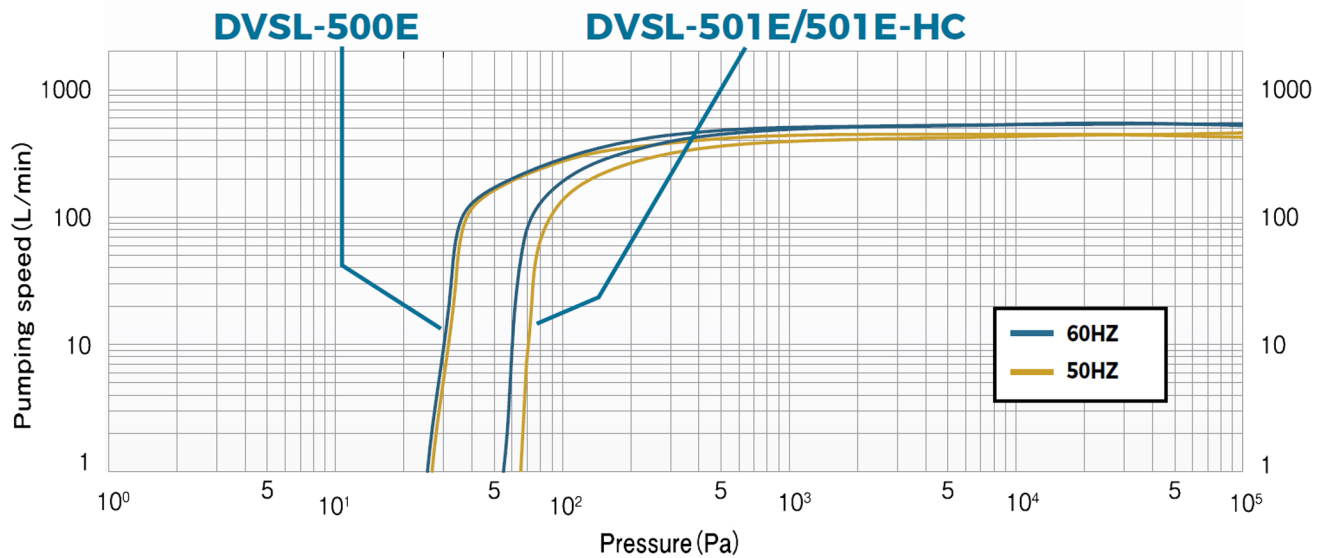
SALES

PHONE: 831-462-8900

FAX: 831-462-3536

WWW.PROVAC.COM

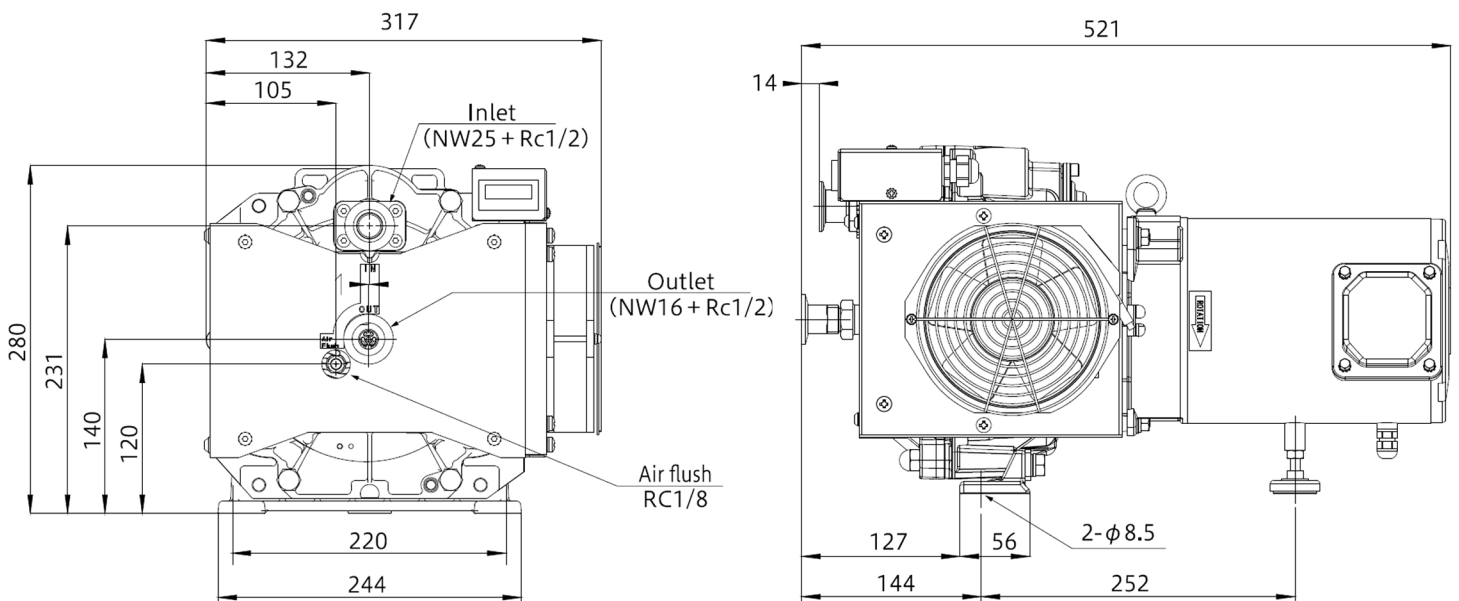
Anest Iwata DVSL-500E, 501E 501E-HC Pumping Curves



Dimensions

DVSL-500E, DVSL-501E

DVSL-501E-HC



L521 x W317 x H280 mm



PROVAC

SALES

PHONE: 831-462-8900

FAX: 831-462-3536

WWW.PROVAC.COM

Anest Iwata DVSL-500E, 501E 501E-HC

Features & Benefits

- air-cooled, oil-free scroll-type vacuum
- low noise & vibration
- compact design
- absence of gears leads to less maintenance
- repeated, continuous operation
- less energy usage

Applications

- vacuum forming • de-airator • vacuum chuck • regenerative • gas substitution • vacuum cooling • vacuum drying (only for water based)
- ceramic industry • pumping for electron tube • pick & place

