



Anest Iwata DVSL-500C, 501C

Technical Specifications

Model		DVSL-500C				DVSL-501C				
Back-up material		Silicon rubber				Fluorine rubber				
Displacement L/min	50Hz	430								
	60Hz	520								
Ultimate pressure Pa		≤30				≤100				
Max. inlet pressure		Atmospheric pressure								
Ambient operating temperature		5°C~40°C								
Motor	Type	3-phase squirrel cage induction motor Totally-enclosed , 2-pole B class insulation, Multiplex voltage, IP44								
	Output	kW	0.9 / 1.1 (50Hz / 60Hz)							
	Voltage	V	200	208	230	380	400	415	460	
	Rated current A	50Hz	3.6	—	—	1.9	1.9	1.8	—	
		60Hz	4.2	4.1	3.9	—	—	—	1.95	
	Revolution min ⁻¹ {rpm}	50Hz	2913	—	—	2929	2934	2939	—	
60Hz		3472	3475	3503	—	—	—	3527		
Noise level 1m dB(A) (With air-flush ON)		≤64 (≤69)								
Inlet connection		NW25 [Internal screw size : Rc1/2]								
Outlet connection		NW25 [With exhaust valve]								
Dimensions mm W×L×H		317×491×280								
Mass kg		36								
Cooling system		Air-cooled, Cooling fan system								
Others		With hour counter and air-flush								



PROVAC

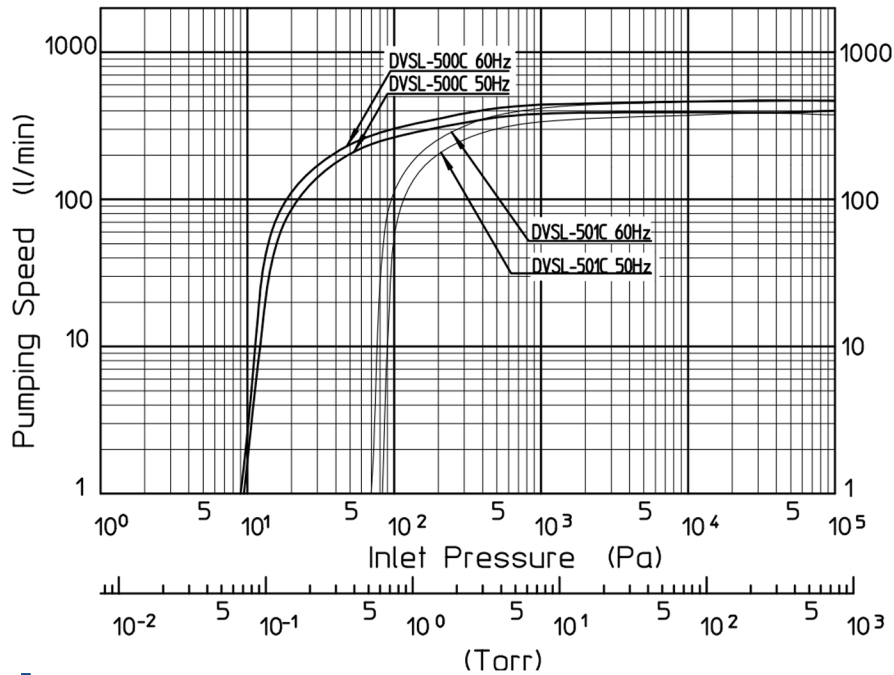
SALES

PHONE: 831-462-8900

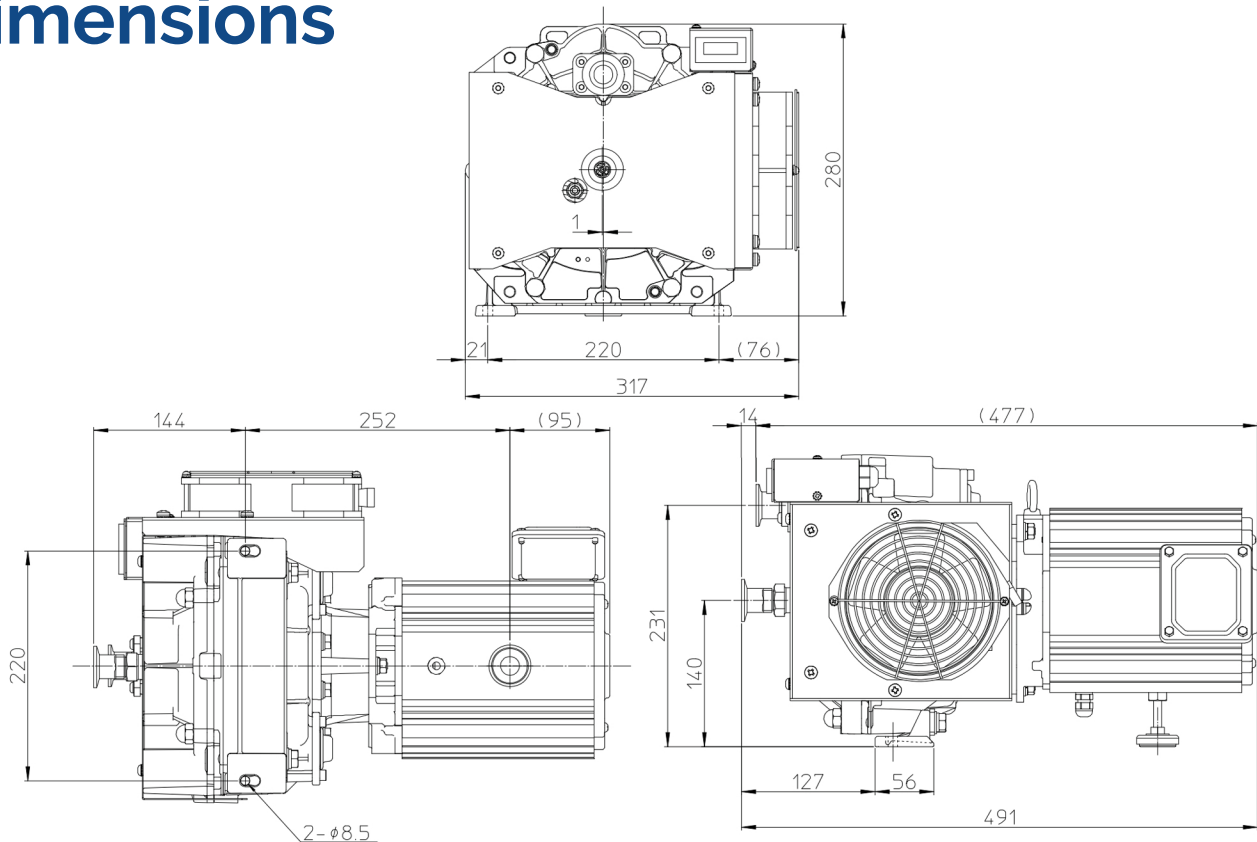
FAX: 831-462-3536

WWW.PROVAC.COM

Anest Iwata DVSL-500C, 501C Pumping Curves



Dimensions





PROVAC

SALES

PHONE: 831-462-8900

FAX: 831-462-3536

WWW.PROVAC.COM

Anest Iwata DVSL-500C, 501C

Features & Benefits

- air-cooled, oil-free scroll-type vacuum
- low noise & vibration
- compact design
- absence of gears leads to less maintenance
- repeated, continuous operation
- less energy usage

Applications

- vacuum forming • de-airator • vacuum chuck • regenerative • gas substitution • vacuum cooling • vacuum drying (only for water based)
- ceramic industry • pumping for electron tube

