



PROVAC

SALES

PHONE: 831-462-8900

FAX: 831-462-3536

WWW.PROVAC.COM

Anest Iwata DVSL-100C

Technical Specifications

Trade name		Oil free scroll vacuum pump	
Model		DVSL-100C	
Pumping speed	L/min (CFM) 50/60Hz	100/120 (3.5/4.2)	
Ultimate pressure	Pa(Torr)	≤ 50 (3.8×10^{-1})	
Motor power	W	300	
Voltage	V	1Ph	100,115,200,230
		3Ph	-
Noise level	dB (A)	65	
Noise level (at air-flush)		68	
Weight	kg	1Ph	15
		3Ph	-
Water vapor capacity	g/day	100	
Air flush	L/min	5	
Inlet connection	NW	25(with RC 3/8)	
Outlet connection	NW	16	
Cooling system		Air-cooled	
Ambient temperature	°C / °F	5 ~ 40 / 41 ~ 104	
Back-up material		Fluorine rubber	



PROVAC

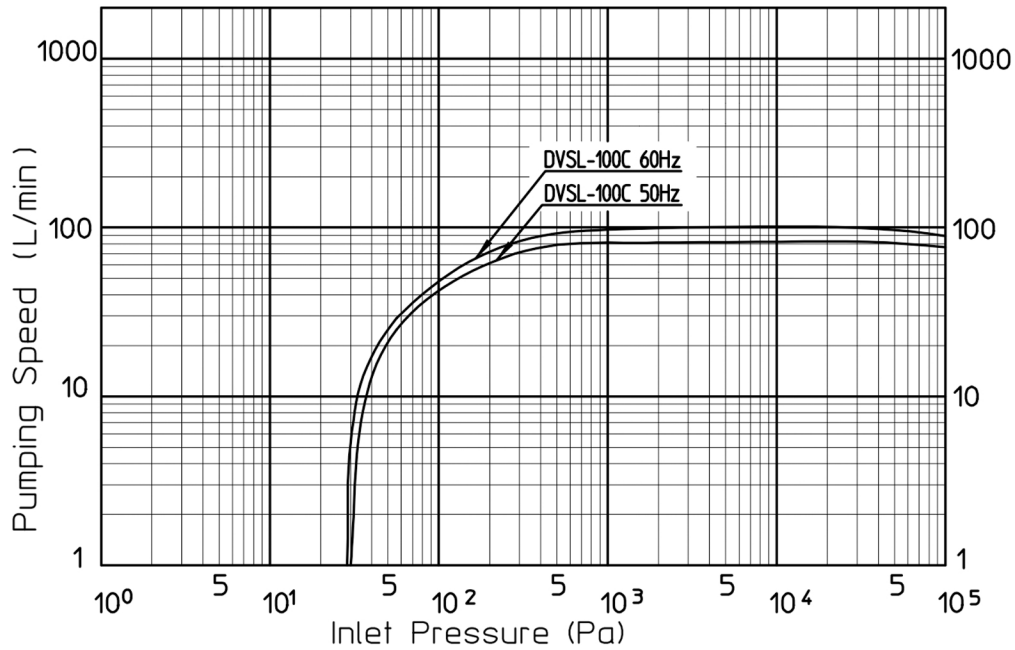
SALES

PHONE: 831-462-8900

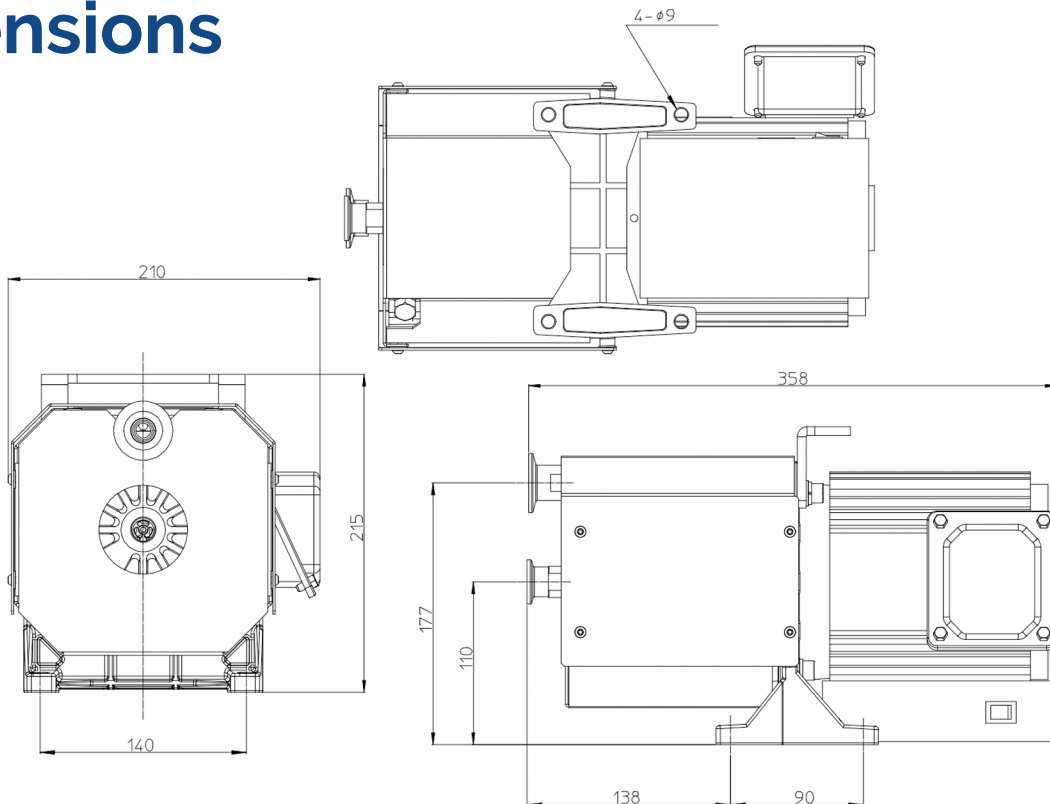
FAX: 831-462-3536

WWW.PROVAC.COM

Anest Iwata DVSL-100C Pumping Curves



Dimensions





PROVAC

SALES

PHONE: 831-462-8900

FAX: 831-462-3536

WWW.PROVAC.COM

Anest Iwata DVSL-100C

Features & Benefits

- air-cooled, oil-free scroll-type vacuum
- low noise & vibration
- compact design
- absence of gears leads to less maintenance
- repeated, continuous operation
- less energy usage

Applications

- vacuum forming • de-airator • vacuum chuck • regenerative • gas substitution • vacuum cooling • vacuum drying (only for water based)
- ceramic industry • pumping for electron tube

