



# Pfeiffer DUO 5MC

## Technical Specifications

Duo 5 MC	
Ambient temperature	12-40 °C   53.6-104 °F   285-313 K
Connection flange (in)	DN 16 ISO-KF
Connection flange (out)	DN 16 ISO-KF
Cooling method, standard	Air
Corrosive gas version	Yes
Emission sound pressure level without gas ballast at 50 Hz	≤ 57 dB(A)
Exhaust pressure, max.	1,500 hPa   1,125 Torr   1,500 mbar
Exhaust pressure, min.	250 hPa   187.5 Torr   250 mbar
Final pressure with gas ballast	$1.2 \cdot 10^{-2}$ hPa   $9 \cdot 10^{-3}$ Torr   $1.2 \cdot 10^{-2}$ mbar
Final pressure without gas ballast	$5 \cdot 10^{-3}$ hPa   $3.75 \cdot 10^{-3}$ Torr   $5 \cdot 10^{-3}$ mbar
Leak rate magnetic coupling	≤ $1 \cdot 10^{-6}$ Pa m <sup>3</sup> /s   ≤ $7.5 \cdot 10^{-6}$ Torr l/s   ≤ $1 \cdot 10^{-5}$ mbar l/s
Leak rate safety valve	≤ $1 \cdot 10^{-5}$ Pa m <sup>3</sup> /s   ≤ $7.5 \cdot 10^{-5}$ Torr l/s   ≤ $1 \cdot 10^{-4}$ mbar l/s
Magnetic coupling	Yes
Mains cable	Yes
Mains connection: voltage 50 Hz	95 – 120 V
Mains connection: voltage 60 Hz	208 – 240 V
Mains requirement: voltage (range)	±5 %
Motor protection	Bimetal
Motor version	1-ph motor
Operating fluid	F4
Operating fluid amount	0.75 l
Protection category	IP55
Pumping speed at 50 Hz	5 m <sup>3</sup> /h   2.94 cfm   83.33 l/min
Pumping speed at 60 Hz	6 m <sup>3</sup> /h   3.53 cfm   100 l/min
Rated power 50 Hz	0.37 kW
Rated power 60 Hz	0.37 kW
Rotation speed at 50 Hz	1,500 rpm   1,500 min <sup>-1</sup>
Rotation speed at 60 Hz	1,800 rpm   1,800 min <sup>-1</sup>
Switch	Yes
Weight	25 kg   55.12 lb



# PROVAC

## SALES

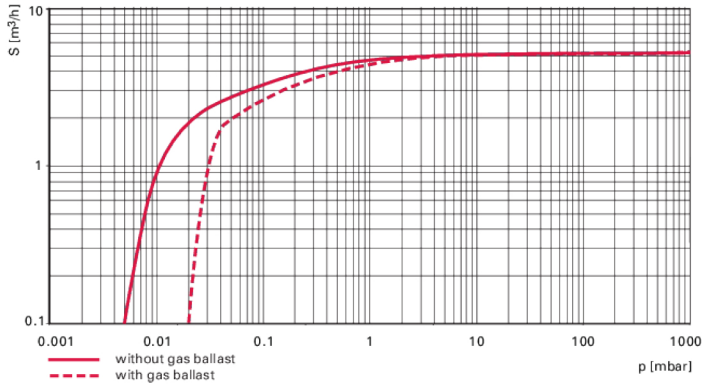
PHONE: 831-462-8900

FAX: 831-462-3536

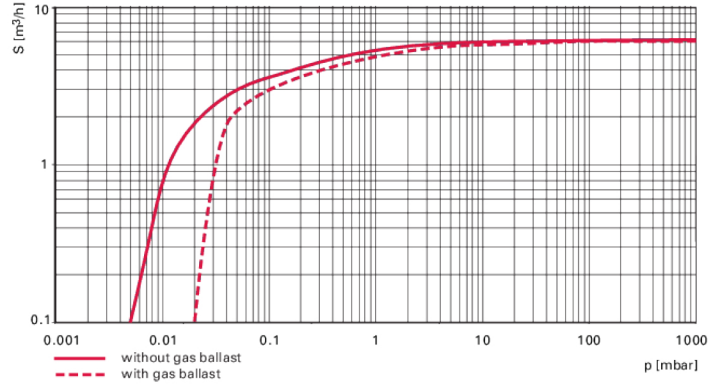
WWW.PROVAC.COM

## Pfeiffer DUO 5MC Pumping Curves

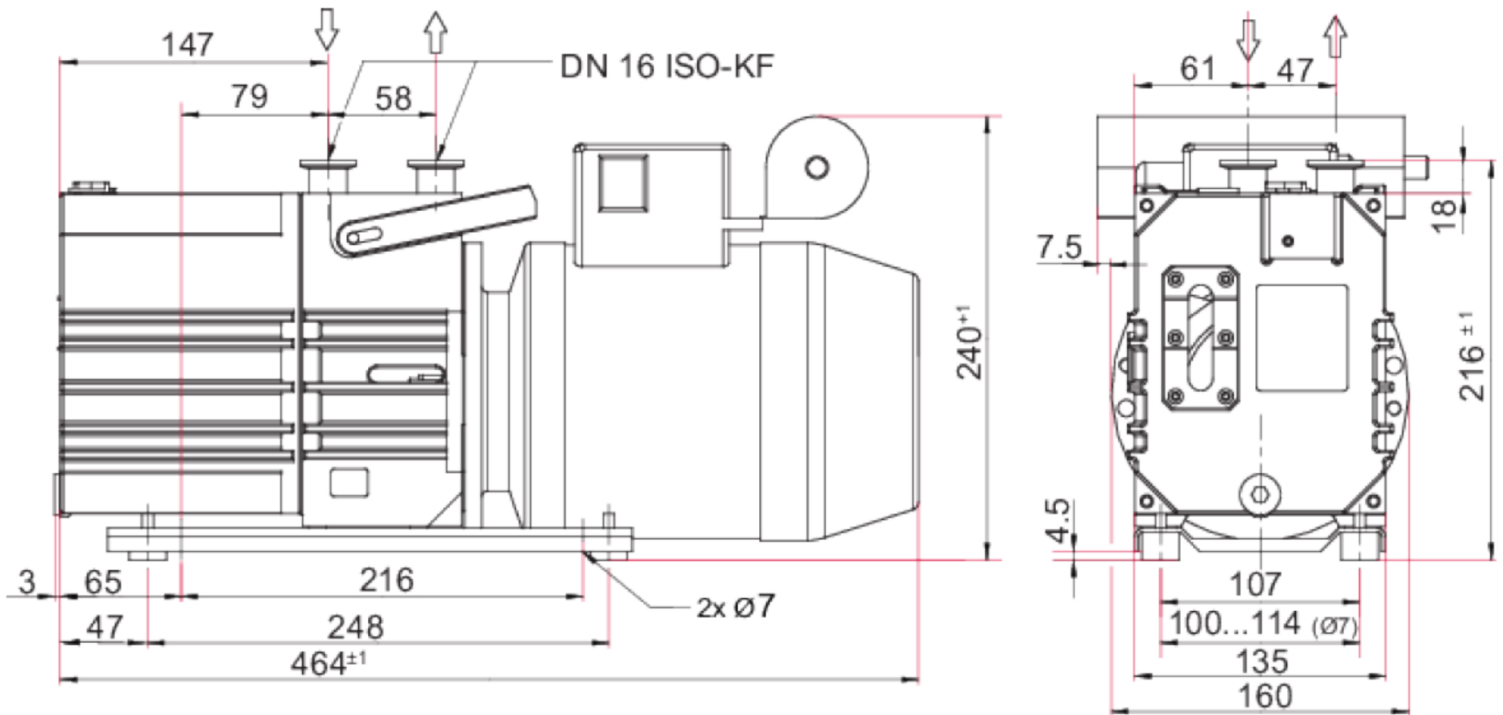
### 50Hz



### 60Hz



## Dimensions





# PROVAC

## SALES

PHONE: 831-462-8900

FAX: 831-462-3536

WWW.PROVAC.COM

## Pfeiffer DUO 5MC Features & Benefits

- two stage rotary vane pump
- integrated gas ballast & HV safety valve
- magnetically coupled
- long service life
- clean & environmentally friendly
- various motor voltages for worldwide employment
- integrated, hydraulically controlled high-vacuum safety valve • i
- compact design & optimized cooling make for great system integration
- integrated connection for oil return simplifies retrofitting of oil mist filter

## Applications

- low & medium vacuum • backing pump for turbo & roots • general laboratory use • analytics • chemical laboratory • freeze drying
- process engineering

