



PROVAC

S A L E S

PHONE: 831-462-8900

FAX: 831-462-3536

WWW.PROVAC.COM

Pfeiffer DUO 2.5

Technical Specifications

	DUO 2.5
Flange (in)	DN 16 ISO-KF
Flange (out)	DN 16 ISO-KF
Operating fluid	P 3
Pump fluid filling	0.4 l
Rotation speed at 50 Hz	3000 1/rpm
Rotation speed at 60 Hz	3600 1/rpm
Emission sound pressure level without gas ballast	≤ 53 dB (A)
Ultimate pressure with gas ballast	≤ 6·10 ⁻³ mbar
Ultimate pressure without gas ballast	≤ 6·10 ⁻³ mbar
Weight	10.5 kg
Leakage rate safety valve	≤ 1·10 ⁻⁴ mbar l/s
Rated power 50 Hz	0.15 kW
Rated power 60 Hz	0.18 kW
Pumping speed at 50 Hz	2.5 m ³ /h
Pumping speed at 60 Hz	2.9 m ³ /h
Water vapor capacity 50 Hz	30 g/h
Water vapor capacity 60 Hz	34 g/h
Water vapor tolerance at 50 Hz	15 mbar
Water vapor tolerance at 60 Hz	15 mbar



PROVAC

SALES

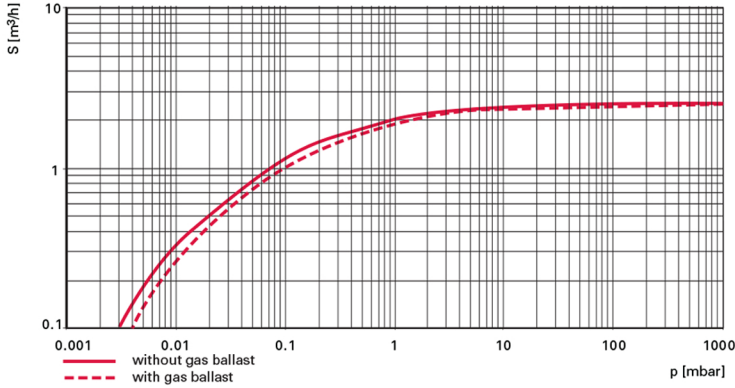
PHONE: 831-462-8900

FAX: 831-462-3536

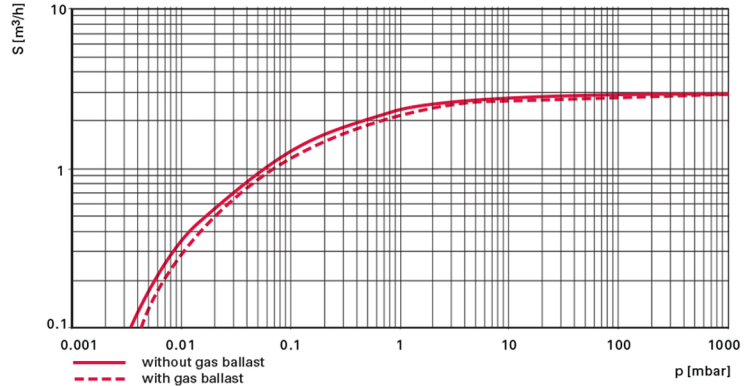
WWW.PROVAC.COM

Pfeiffer DUO 2.5 Pumping Curves

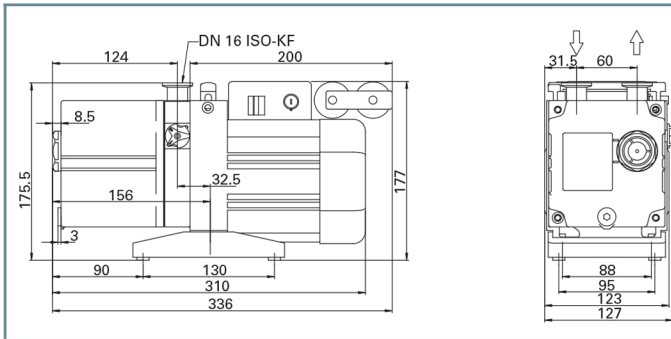
DUO 2.5, 50 Hz



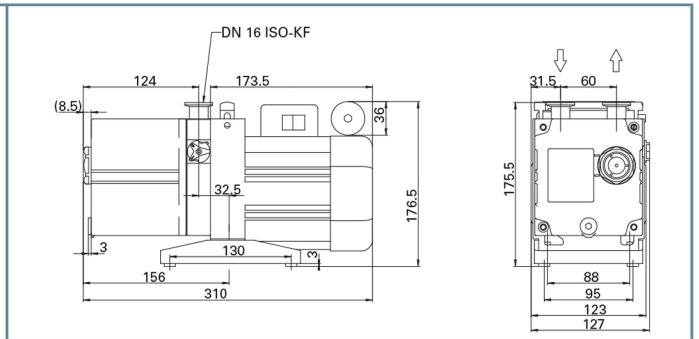
DUO 2.5, 60 Hz



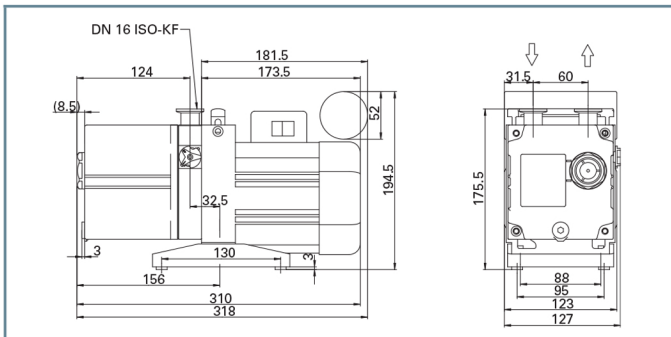
Dimensions



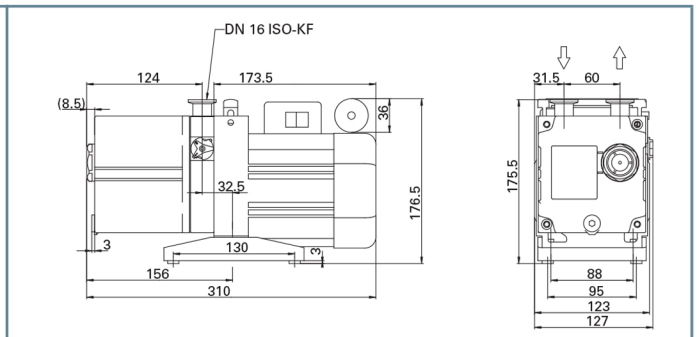
DUO 2.5, 1-phase, 115/230 V (+/- 10%) 50/60 Hz



DUO 2.5, 1-phase, 220-240 V (+/- 5%) 50 Hz/60 Hz
DUO 2.5, 1-phase, 190-210 V (+/- 5%) 50 Hz;
200-220 V (+/- 5%) 60 Hz



DUO 2.5, 1-phase, 100-105 V (+/- 5%) 50 Hz;
110-130 V (+/- 5%) 60 Hz



DUO 2.5, 1-phase, 190-210 V (+/- 5%) 50 Hz;
200-220 V (+/- 5%) 60 Hz