



# Pfeiffer DUO 120A

## Technical Specifications

|   | <b>DUO 120</b>               |
|---|------------------------------|
| Flange (in)                                       | DN 63 ISO-F                  |
| Flange (out)                                      | DN 63 ISO-F                  |
| Operating fluid                                   | P 3                          |
| Pump fluid filling                                | 13 l                         |
| Rotation speed at 50 Hz                           | 1000 1/rpm                   |
| Rotation speed at 60 Hz                           | 1200 1/rpm                   |
| Emission sound pressure level without gas ballast | 75 dB (A)                    |
| Ultimate pressure with gas ballast                | $6 \cdot 10^{-3}$ mbar       |
| Ultimate pressure without gas ballast             | $3 \cdot 10^{-3}$ mbar       |
| Weight  | 215 kg                       |
| Leakage rate safety valve                         | $< 1 \cdot 10^{-4}$ mbar l/s |
| Nominal rotation speed at 50 Hz                   | 960 rpm                      |
| Nominal rotation speed at 60 Hz                   | 1150 rpm                     |
| Rated power 50 Hz                                 | 4 kW                         |
| Rated power 60 Hz                                 | 4.8 kW                       |
| Pumping speed at 50 Hz                            | 120 m <sup>3</sup> /h        |
| Pumping speed at 60 Hz                            | 144 m <sup>3</sup> /h        |
| Water vapor capacity 50 Hz                        | 1800 g/h                     |
| Water vapor capacity 60 Hz                        | 2150 g/h                     |
| Water vapor tolerance at 50 Hz                    | 20 mbar                      |
| Water vapor tolerance at 60 Hz                    | 20 mbar                      |



# PROVAC

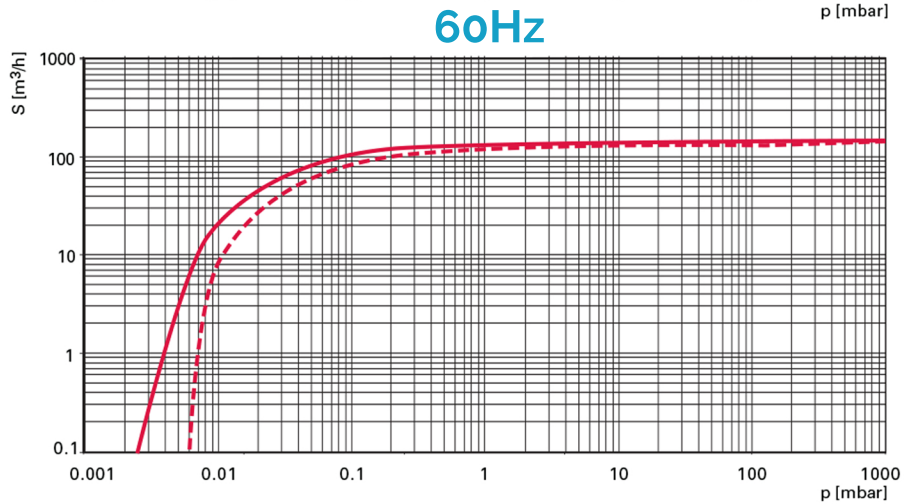
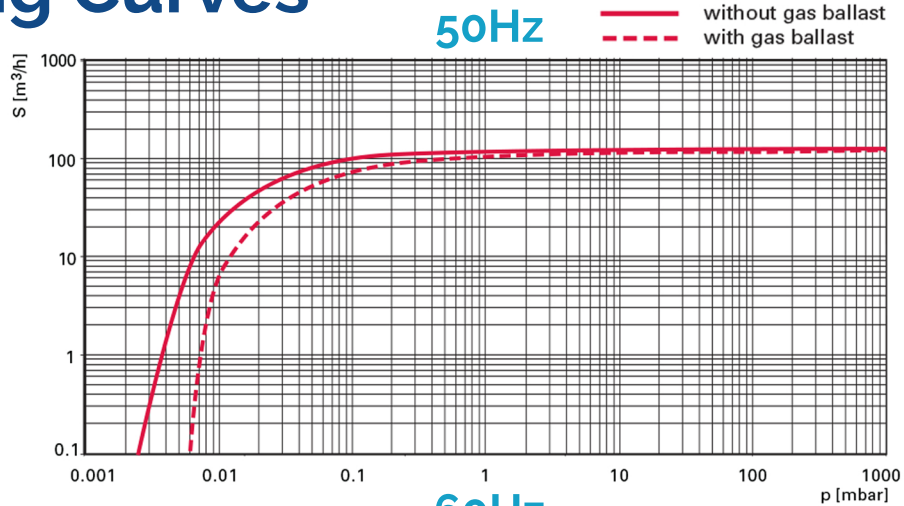
## SALES

PHONE: 831-462-8900

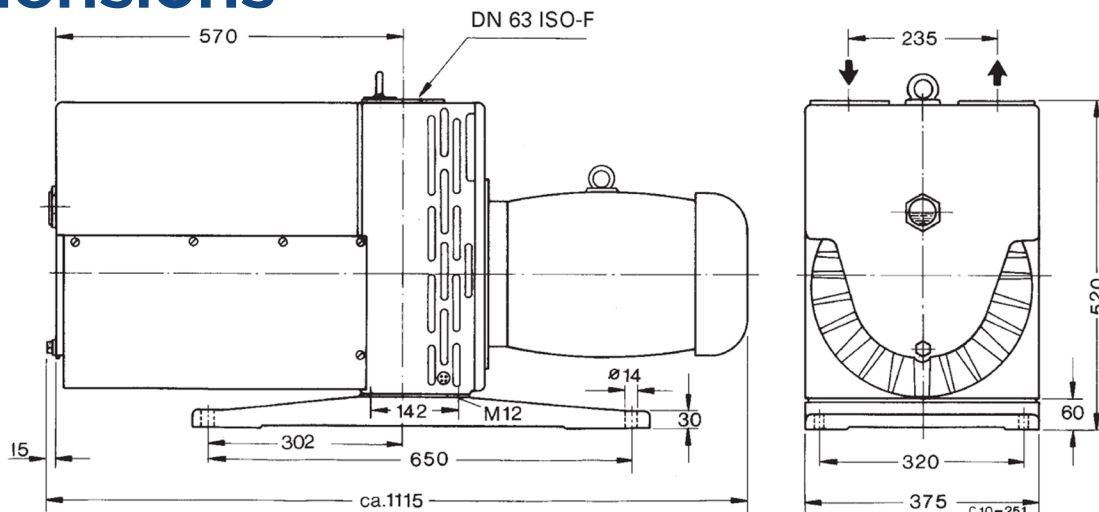
FAX: 831-462-3536

WWW.PROVAC.COM

# Pfeiffer DUO 120A Pumping Curves



## Dimensions





# PROVAC

## SALES

PHONE: 831-462-8900

FAX: 831-462-3536

WWW.PROVAC.COM

---

## Pfeiffer DUO 120A

### Features & Benefits

- two stage rotary vane pump
- pressurized oil lubrication
- hydraulically controlled high vacuum safety valve

### Applications

- industrial

